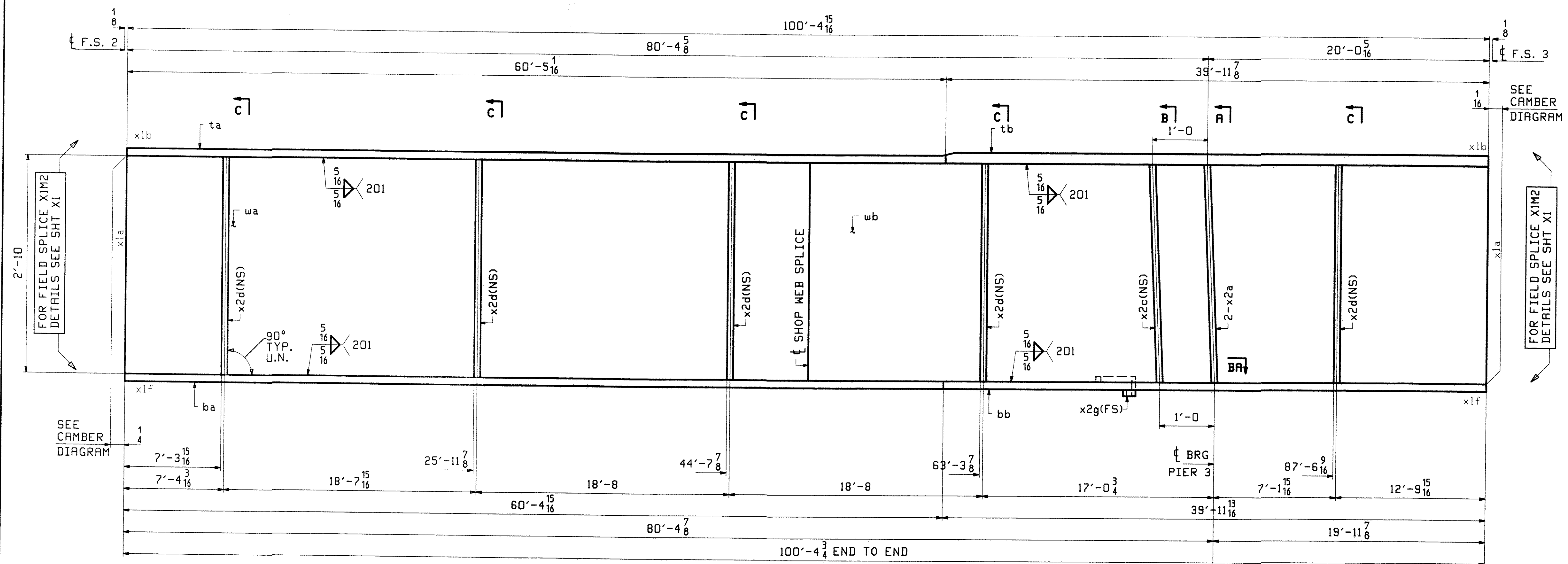


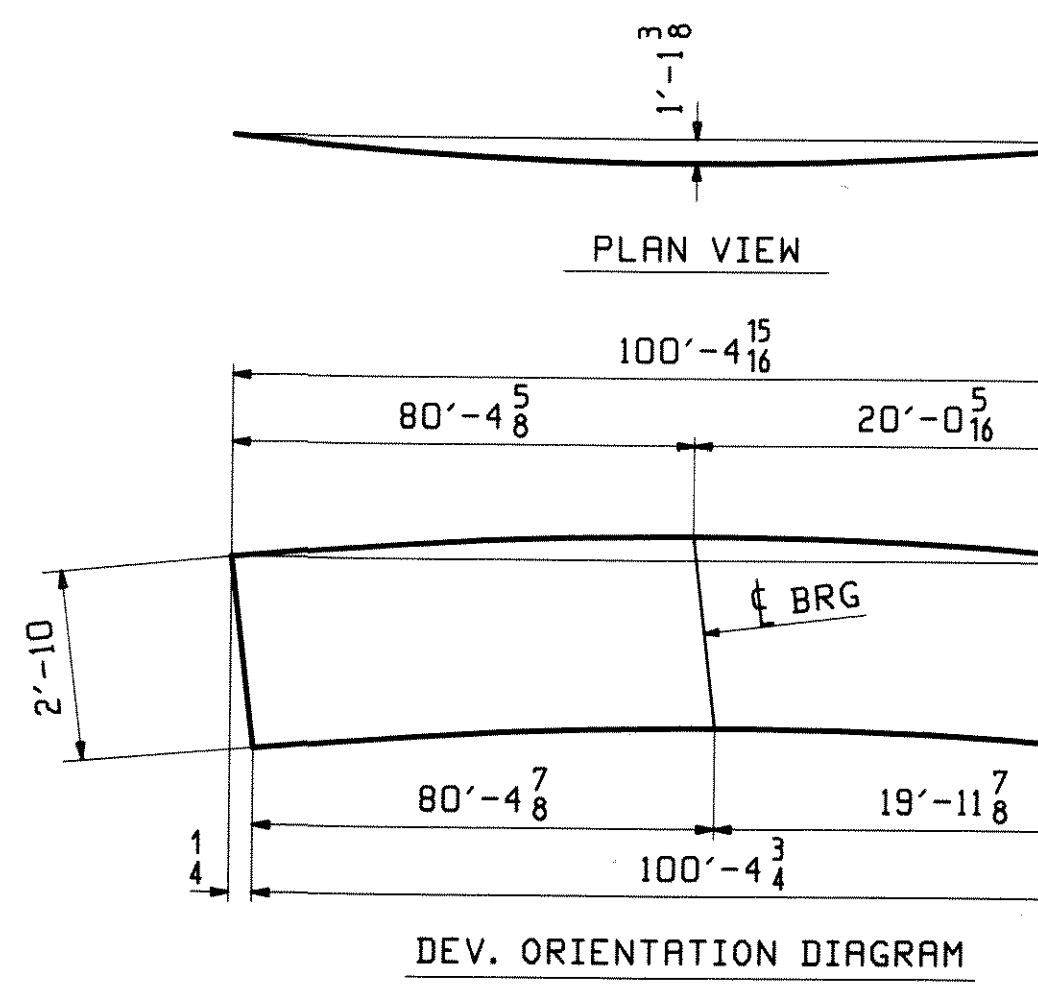
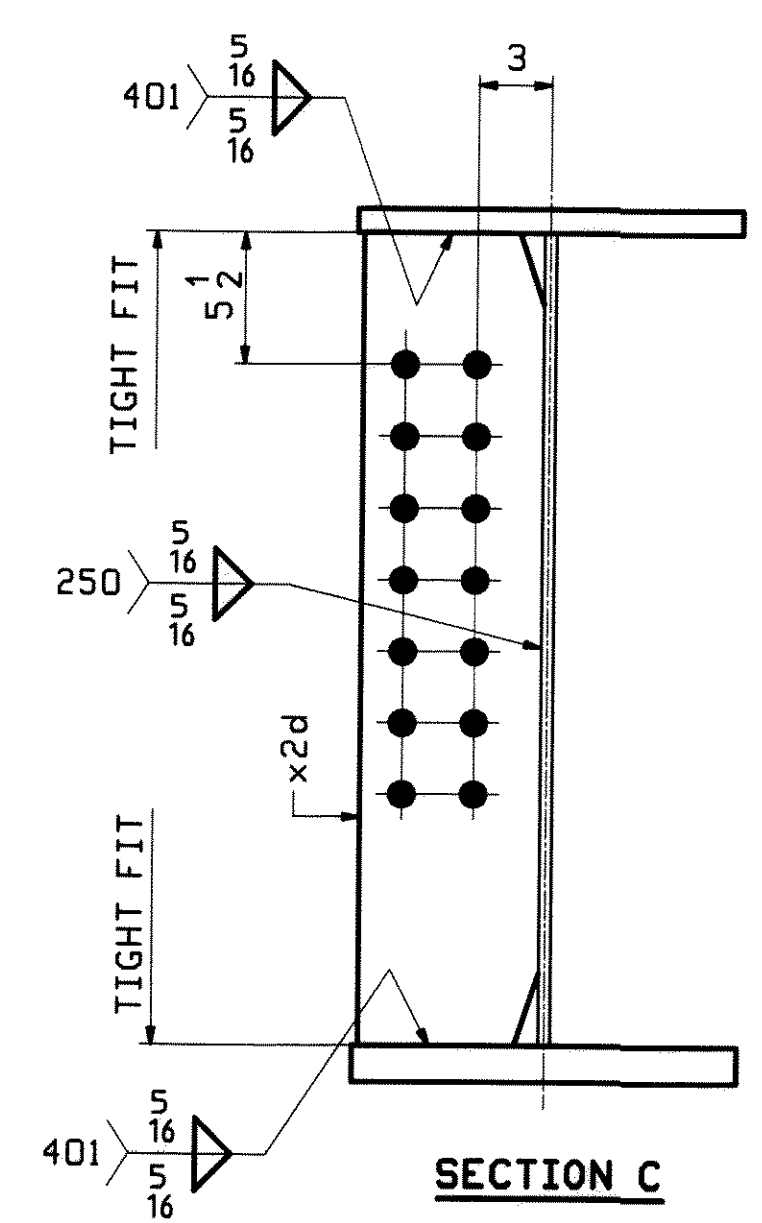
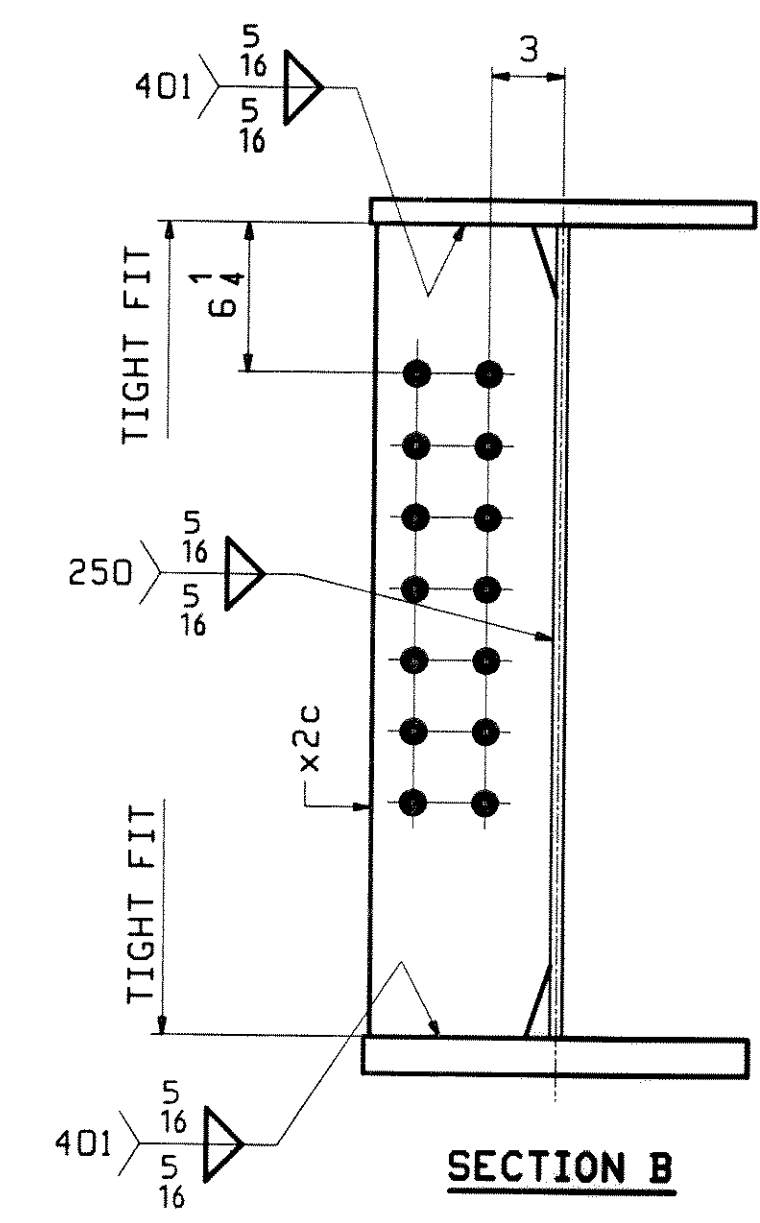
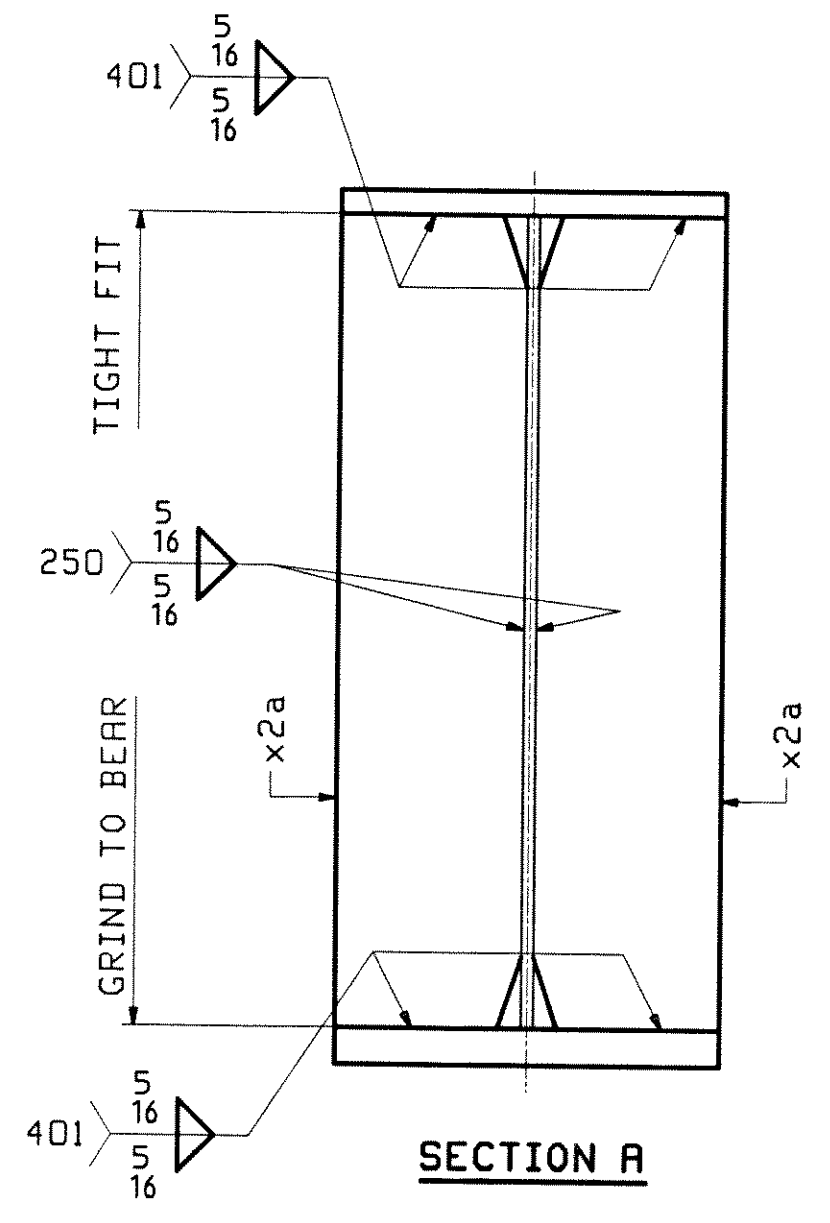
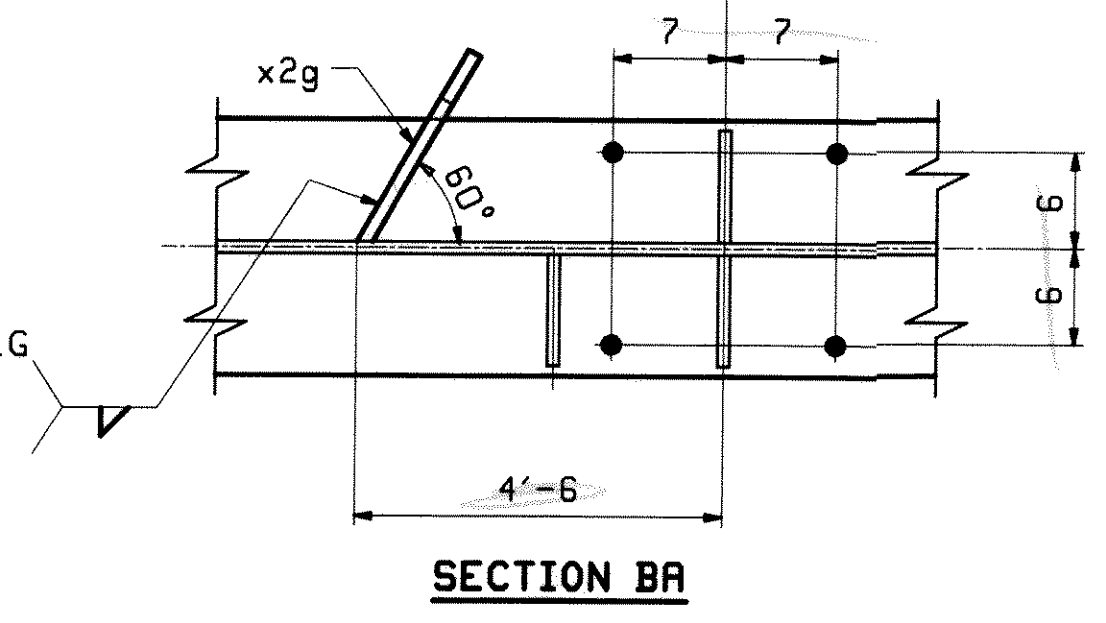
ABM INFO		SHIP		BILL OF MATERIAL			JOB NO.
PAGE	LINE	MARK	QTY	MARK	MATERIAL	LENGTH FT INCHES	REMARKS
		11G1C	1		GIRDER		438
4	W		1	wa	PL 1/2 x 34	50 5/8	M270-SOWT2
5	W		1	wb	PL 1/2 x 34	49 11/16	M270-SOWT2
2	S		1	ta	PL 1/2 x 16	60 5/16	M270-SOWT2
2	L		1	tb	PL 1/2 x 16	39 7/8	M270-SOWT2
1	E		1	ba	PL 1/2 x 16	60 4/16	M270-SOWT2
2	L		1	bb	PL 1/2 x 16	39 11/16	M270-SOWT2
6	K		2	x2a	PL 7/8 x 7 1/2	2 10	MIE
6	L		1	x2c	PL 1/2 x 2 1/2	2 10	
6	L		5	x2d	PL 1/2 x 2 1/2	2 10	
6	N		1	x2g	PL 1/2 x 3 1/2	0 11 1/8	



**ONE - GIRDER - 11G1C (DEV)**

FOR FIELD SPLICE & STANDARD DETAILS SEE X SHEETS  
 FOR CAMBER DIAGRAM SEE SHEET C2  
 FOR FLANGE DIAGRAM SEE SHEET F3  
 FOR GENERAL NOTES SEE SHEET GNI

TIGHT FIT TO FLG  
 WITH SEAL WELD  
 (TYP 401)



REV.	DATE	REMARKS	DWN	CHK	AP
0					

MATERIAL: M270-SOW (UN) SURFACE PREP. & PAINT: SEE GNI HOLES: 15/16" Ø U.N.

DESCRIPTION: GIRDER - 11G1C

CASCO BAY STEEL STRUCTURES, INC.  
 75 SPRING HILL ROAD SACO, MAINE 04072  
 PHONE (207) 282-7360 FAX. (207) 282-1179

STRUCTURE: U.S. 5 over I-91 Bridge No. 19A Putney County of Windham

LOCATION: Putney PROJ NO. IM 091-(31) CUSTOMER: VT AOT

DATE: 2/9/10  
 DRAWN: [Signature]