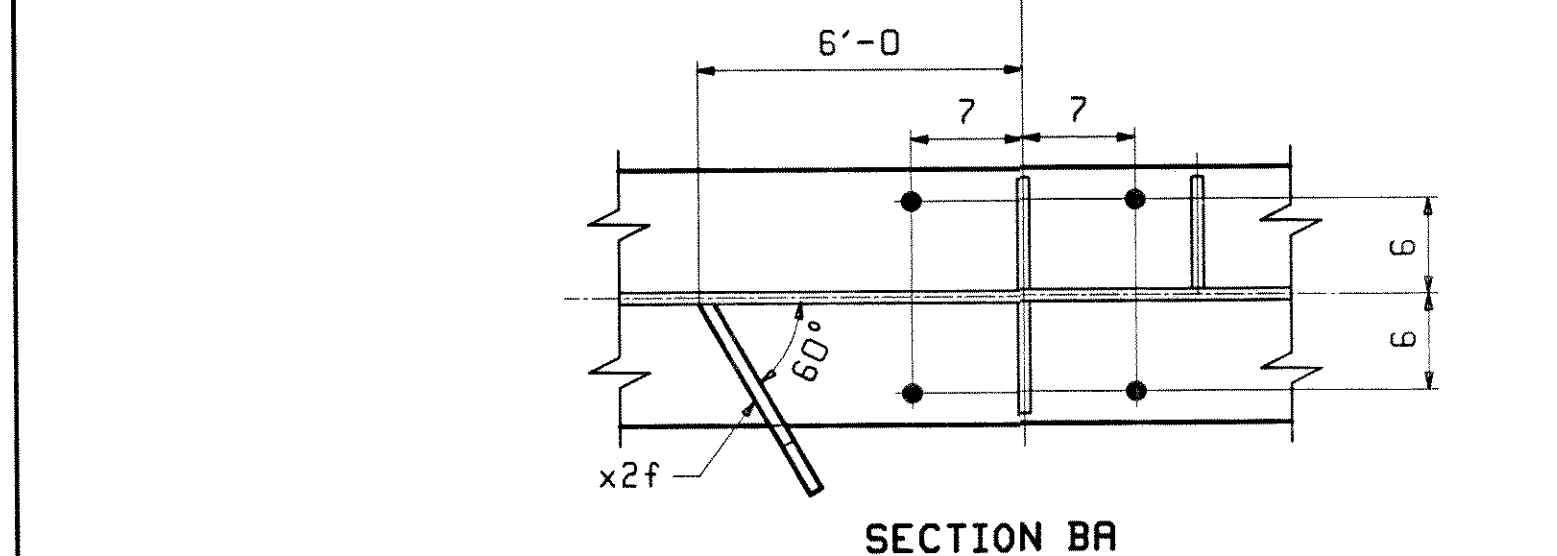
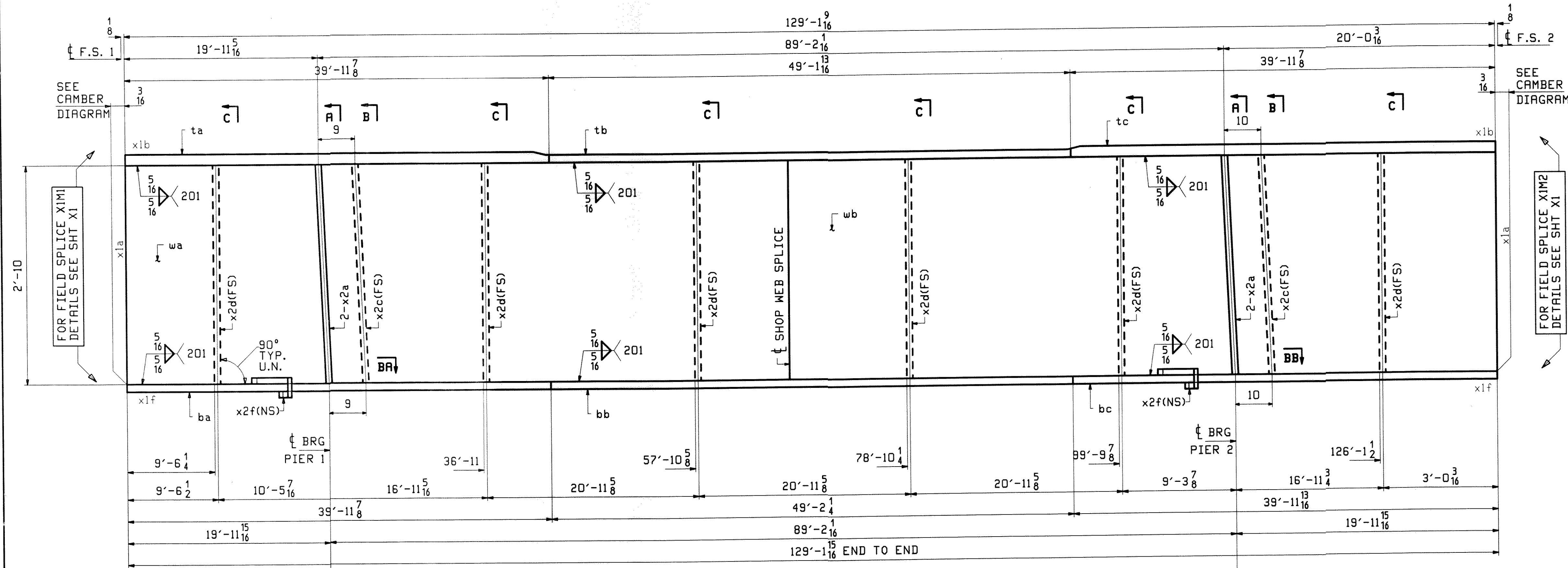


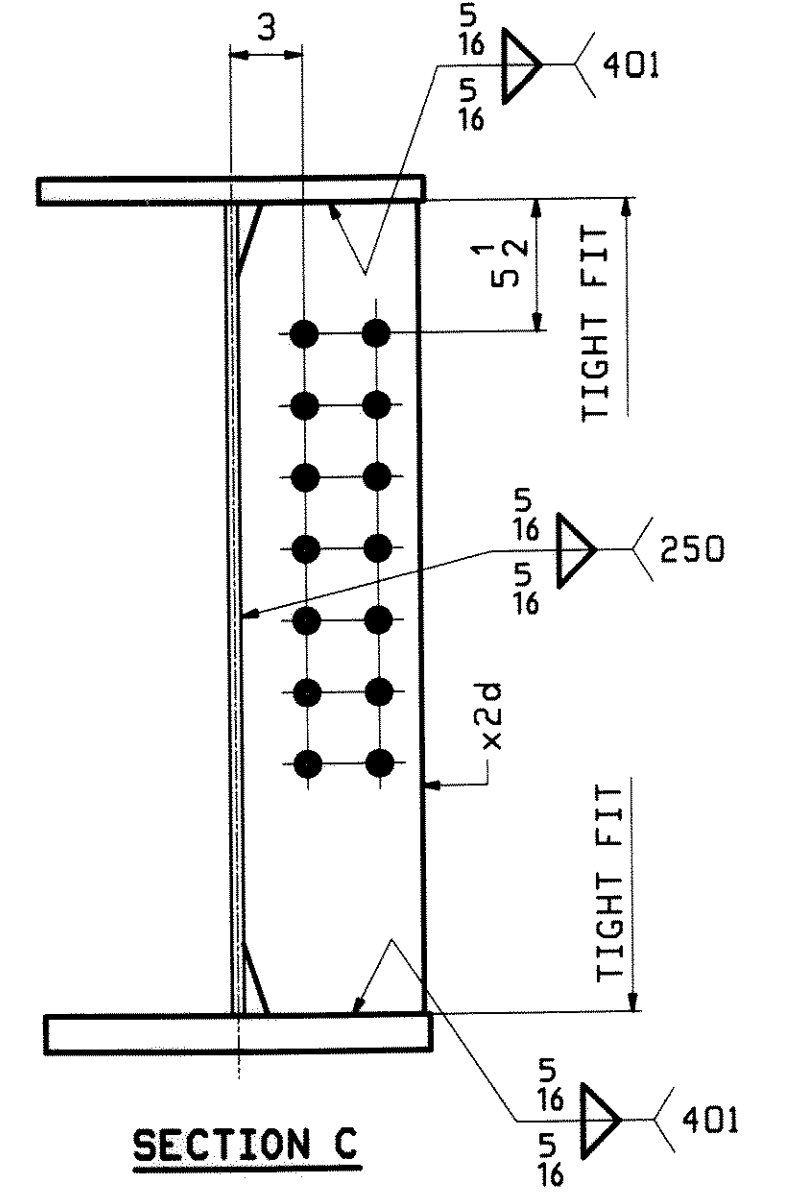
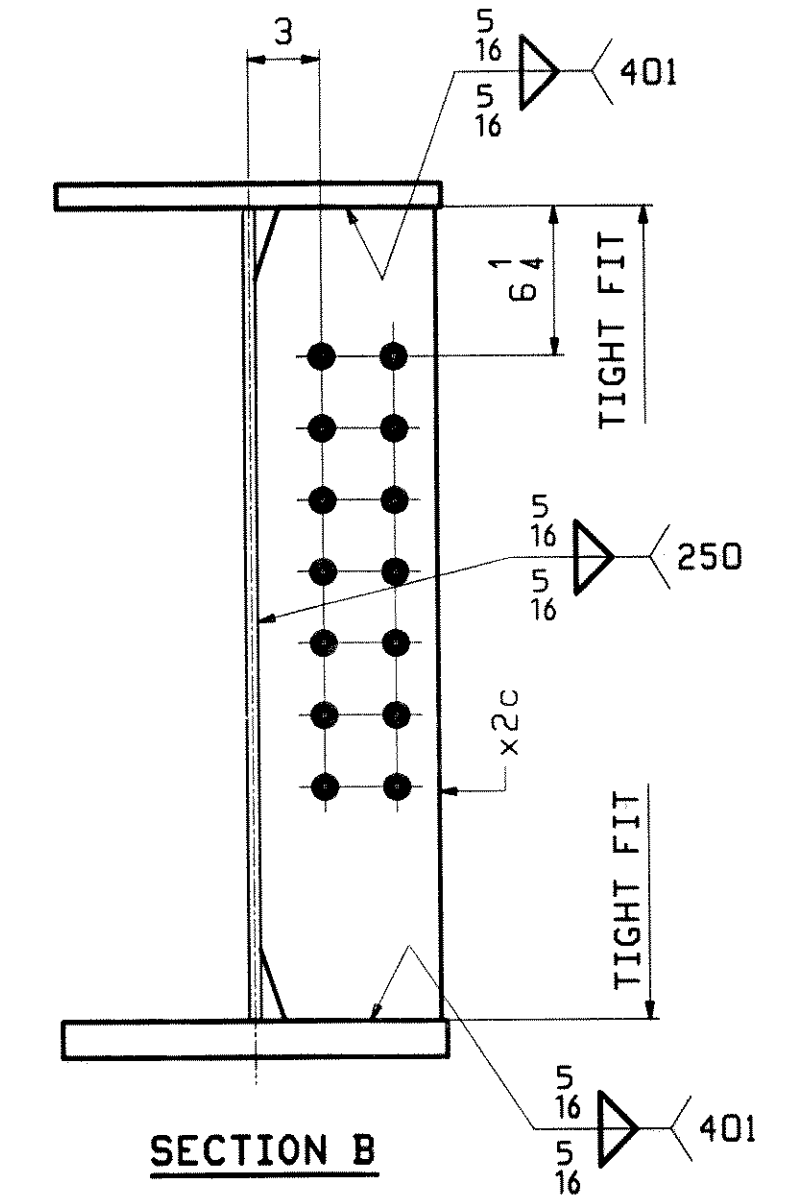
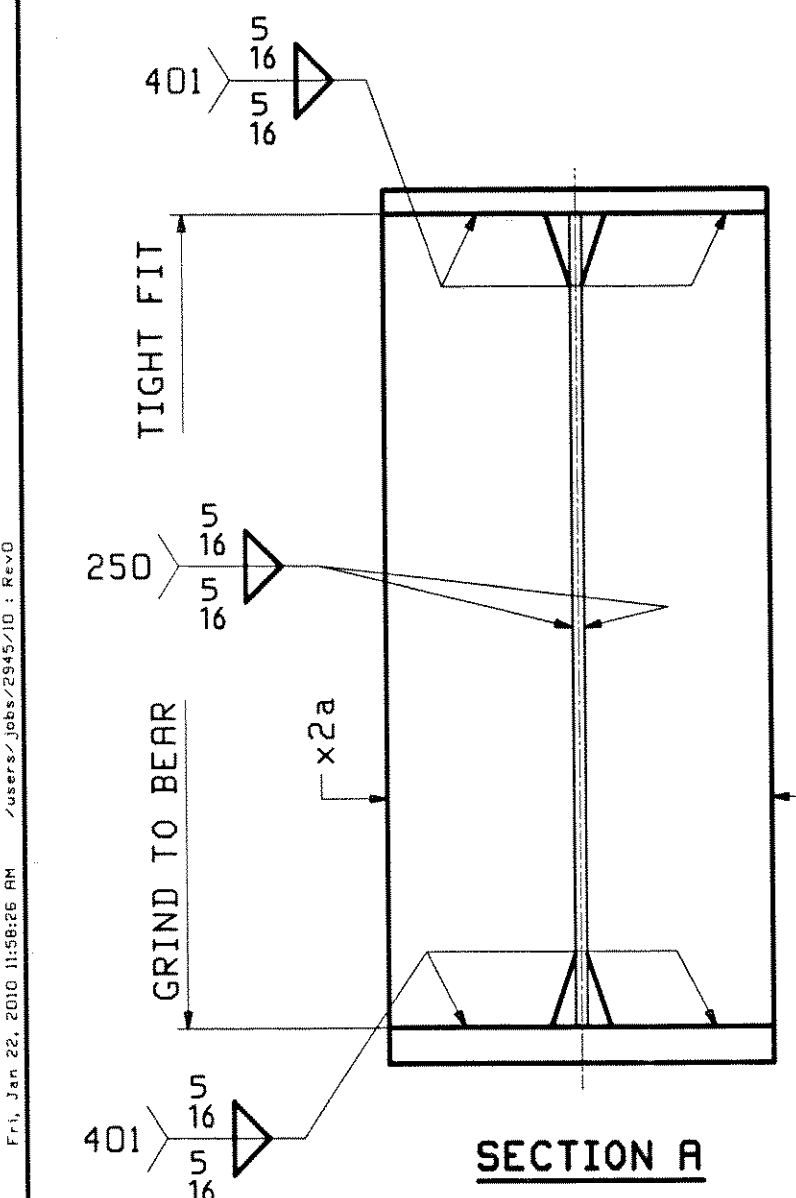
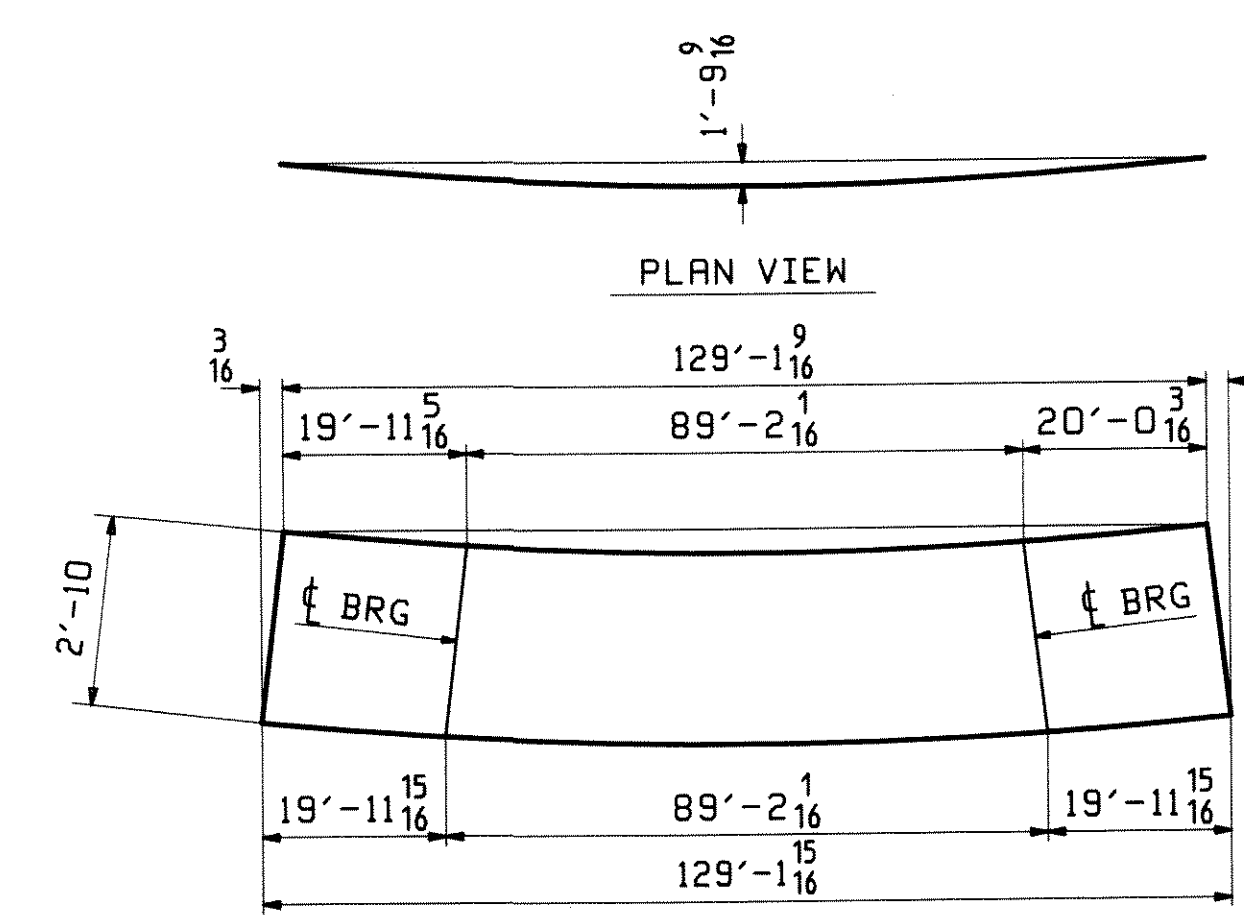
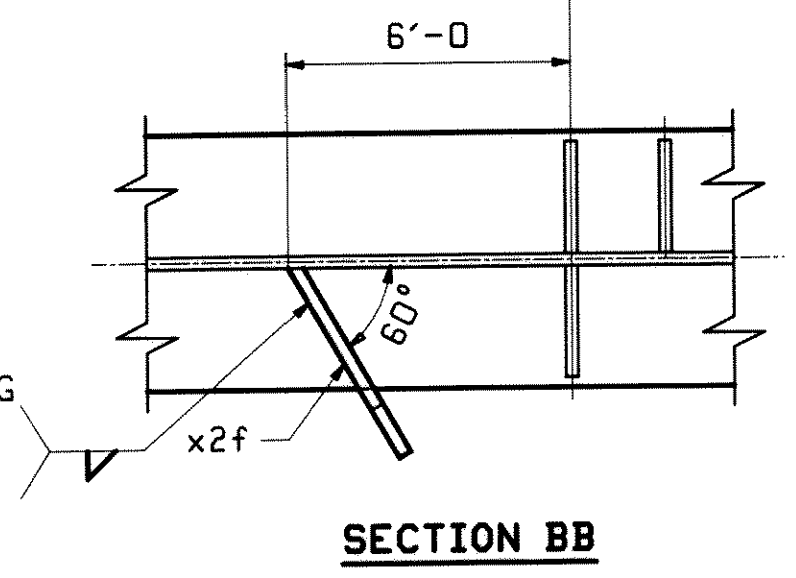
ABM INFO		SHIP	BILL OF MATERIAL				JOB NO.	DRAWING NO.	
PAGE	LINE	MARK	QTY	MARK	MATERIAL	LENGTH FT INCHES	REMARKS	WT	PROCUR NOT
		10G5B	1		GIRDER				27784
4	U		1	ua	PL 1/2 x 34	62 5/16	M270-50WT2		
4	G		1	wb	PL 1/2 x 34	66 8/8	M270-50WT2		
2	L		1	ta	PL 1/2 x 16	39 11/8	M270-50WT2		
3	L		1	tb	PL 1/2 x 16	49 1 1/8	M270-50WT2		
2	L		1	tc	PL 1/2 x 16	39 11/8	M270-50WT2		
2	L		1	ba	PL 1/2 x 16	39 11/8	M270-50WT2		
1	Y		1	bb	PL 1/2 x 16	49 2 1/8	M270-50WT2		
2	L		1	bc	PL 1/2 x 16	39 11/8	M270-50WT2		
6	K		4	x2a	PL 7/8 x 7 1/2	2 10	MIE		
6	L		2	x2c	PL 1/2 x 7 1/2	2 10			
6	L		6	x2d	PL 1/2 x 7 1/2	2 10			
6	N		2	x2f	PL 1/2 x 3 1/2	0 11 1/8			



ONE - GIRDER - 10G5B (DEV)

FOR FIELD SPlice & STANDARD DETAILS SEE X SHEETS
 FOR CAMBER DIAGRAM SEE SHEET C1
 FOR FLANGE DIAGRAM SEE SHEET F2
 FOR GENERAL NOTES SEE SHEET GNI

TIGHT FIT TO FLG WITH SEAL WELD (TYP 401)



DATE: 2/9/10
 DRAWN: WJF
 CHKD: DO

REV.	DATE	REMARKS	DWN	CHK	APVL
0					JAN 29 2010

MATERIAL: M270-50W (UN) SURFACE PREP. & PAINT: SEE GNI HOLES: 15 1/16 U.N. SHOP BOLTS: NO

DESCRIPTION: GIRDER - 10G5B

CASCO BAY STEEL STRUCTURES, INC.
 75 SPRING HILL ROAD SACO, MAINE 04072
 PHONE (207) 282-7360 FAX. (207) 282-1179

STRUCTURE: U.S. 5 over I-91 Bridge No. 19A Putney County of Windham

LOCATION: Putney JOB NO. 438

PROJ NO. IM 091-1(31) CUSTOMER: VT AOT