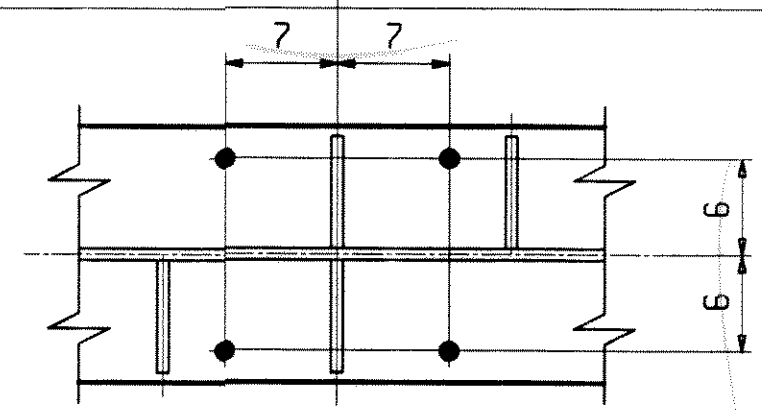
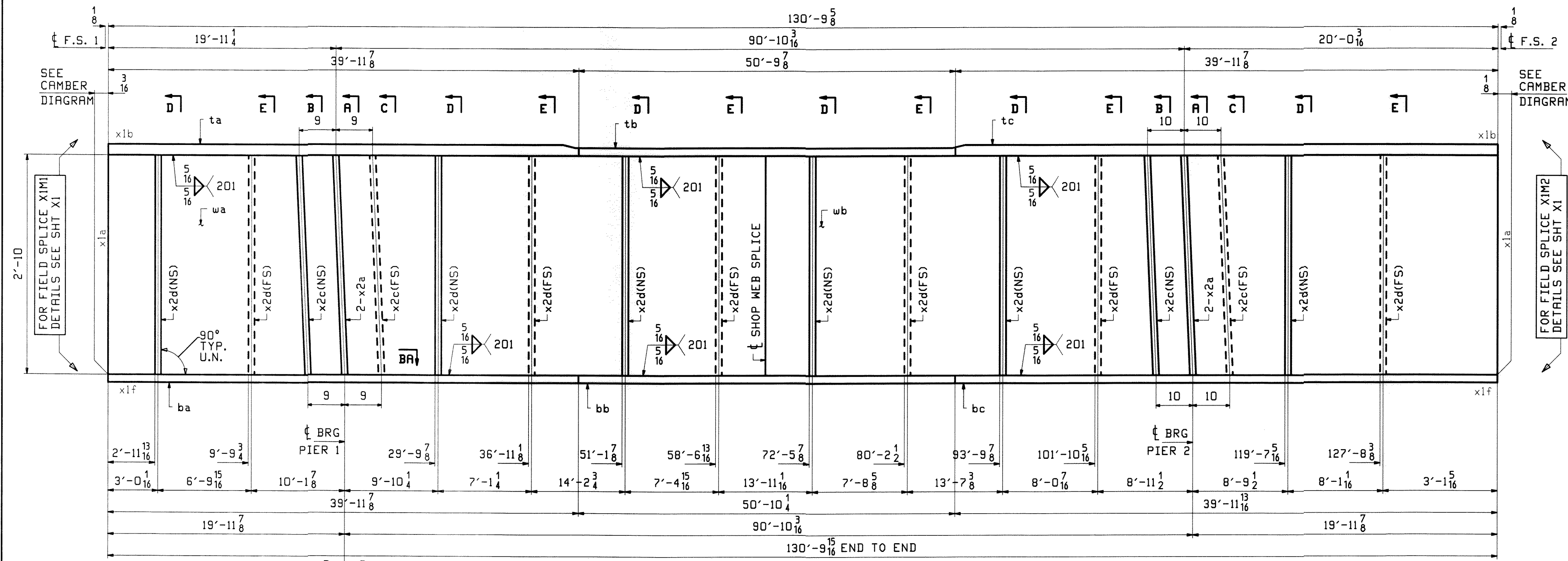
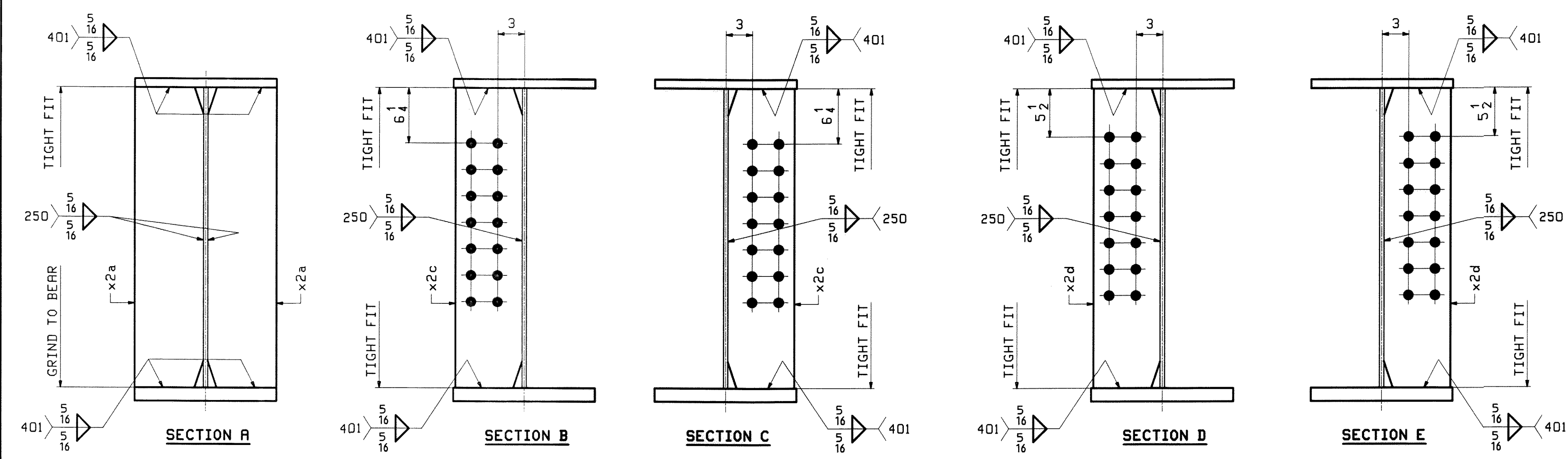
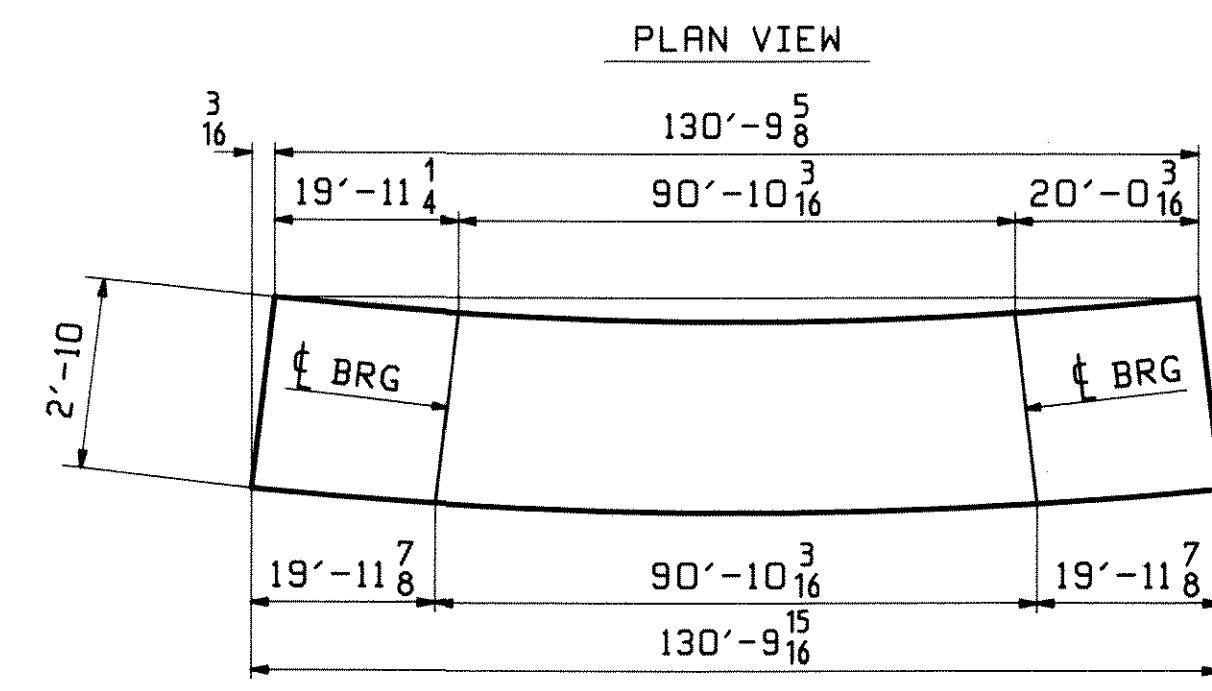


ABM INFO		BILL OF MATERIAL				JOB NO.	DRAWING	
PAGE	LINE	MARK	QTY	MARK	MATERIAL	REMARKS	WT	P
		7G2B	1		GIRDER		28394	
4	U		1	wa	PL 1/2 x 34	x270-SOWT2		
4	A		1	wb	PL 1/2 x 34	x270-SOWT2		
2	L		1	ta	PL 1/2 x 16	x270-SOWT2		
3	E		1	tb	PL 1/2 x 16	x270-SOWT2		
2	L		1	tc	PL 1/2 x 16	x270-SOWT2		
2	L		1	td	PL 1/2 x 16	x270-SOWT2		
1	S		1	ba	PL 1/2 x 16	x270-SOWT2		
2	L		1	bc	PL 1/2 x 16	x270-SOWT2		
6	K		4	x2a	PL 7/8 x 7 1/4	NIE		
6	L		4	x2c	PL 2 x 7 1/2			
6	L		12	x2d	PL 2 x 7 1/2			



ONE - GIRDER - 7G2B (DEV)

FOR FIELD SPLICE & STANDARD DETAILS SEE X SHEETS
 FOR CAMBER DIAGRAM SEE SHEET C1
 FOR FLANGE DIAGRAM SEE SHEET F2
 FOR GENERAL NOTES SEE SHEET GN1



DATE: 2/9/10
 SIGNATURE: JS

REV.	DATE	REMARKS	DWN	CHK	APVL
0					

MATERIAL: M270-SOW (UN)
 SURFACE PREP. & PAINT: SEE GN1
 HOLES: 15/16" Ø U.N.

DESCRIPTION: GIRDER - 7G2B

CASCO BAY STEEL STRUCTURES, INC.
 75 SPRING HILL ROAD
 PHONE (207) 282-7360

SACO, MAINE 04072
 FAX. (207) 282-1179

STRUCTURE: U.S. 5 over I-91
 Bridge No. 19A
 Putney
 County of Windham

LOCATION: Putney
 PROJ NO. IM 091-1(31)
 CUSTOMER: VT AOT

DRAWN: WJF
 CHKD: DO
 JOB NO. 438