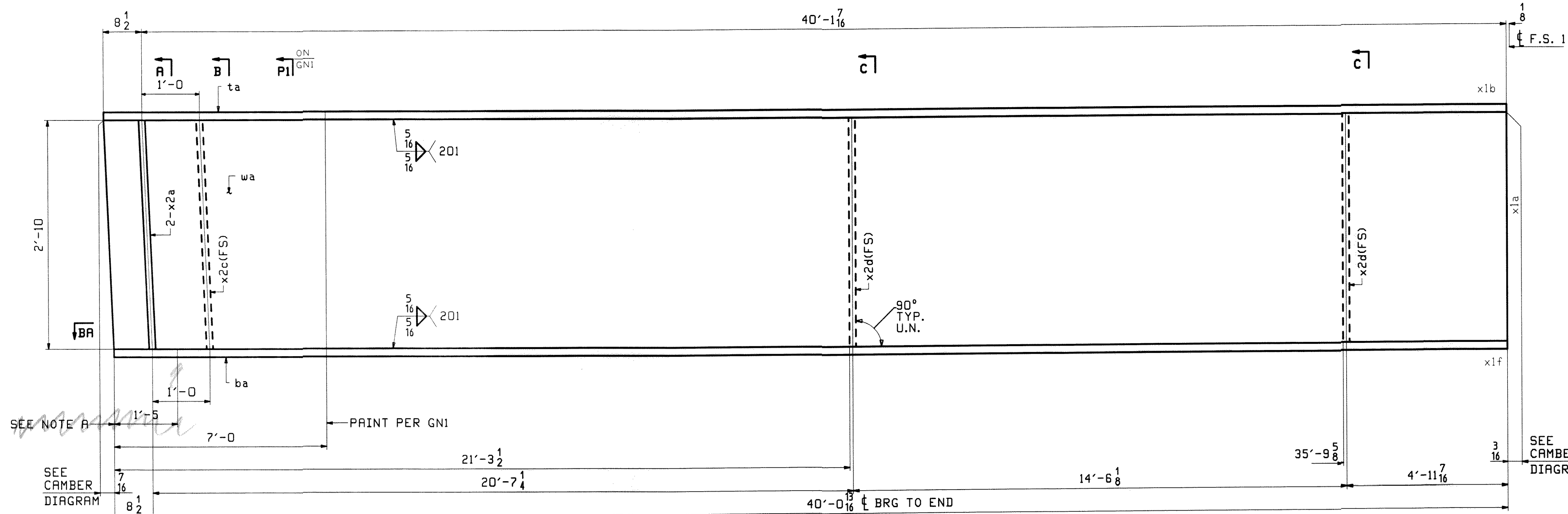


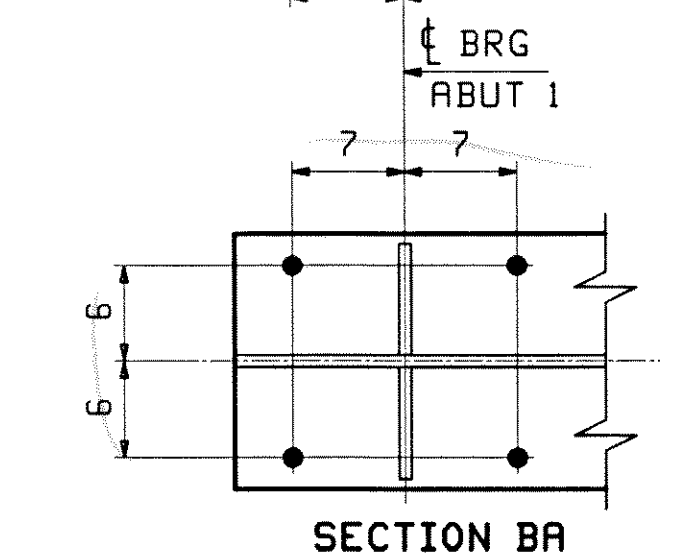
ABM INFO		BILL OF MATERIAL				JOB NO.	DRAWING		
PAGE	LINE	MARK	QTY	MARK	MATERIAL	LENGTH	REMARKS	WT	PR
						FT			
						INCHES			
		5G5A	1		GIRDER				B154
5	U		1	wa	PL 1/2 x 34	40 9/16	M270-SOWT2		
3	W		1	ta	PL 1 x 15	40 9/16	M270-SOWT2		
2	J		1	ba	PL 1 1/2 x 15	40 9/16	M270-SOWT2		
6	K		2	x2a	PL 7/8 x 7 3/4	2'-10"	MIE		
6	L		1	x2c	PL 1/2 x 7 1/2	2'-10"			
6	L		2	x2d	PL 1/2 x 7 1/2	2'-10"			



FOR FIELD SPLICE XIMI
DETAILS SEE SHT XI

SEE NOTE A
SEE CAMBER
DIAGRAM

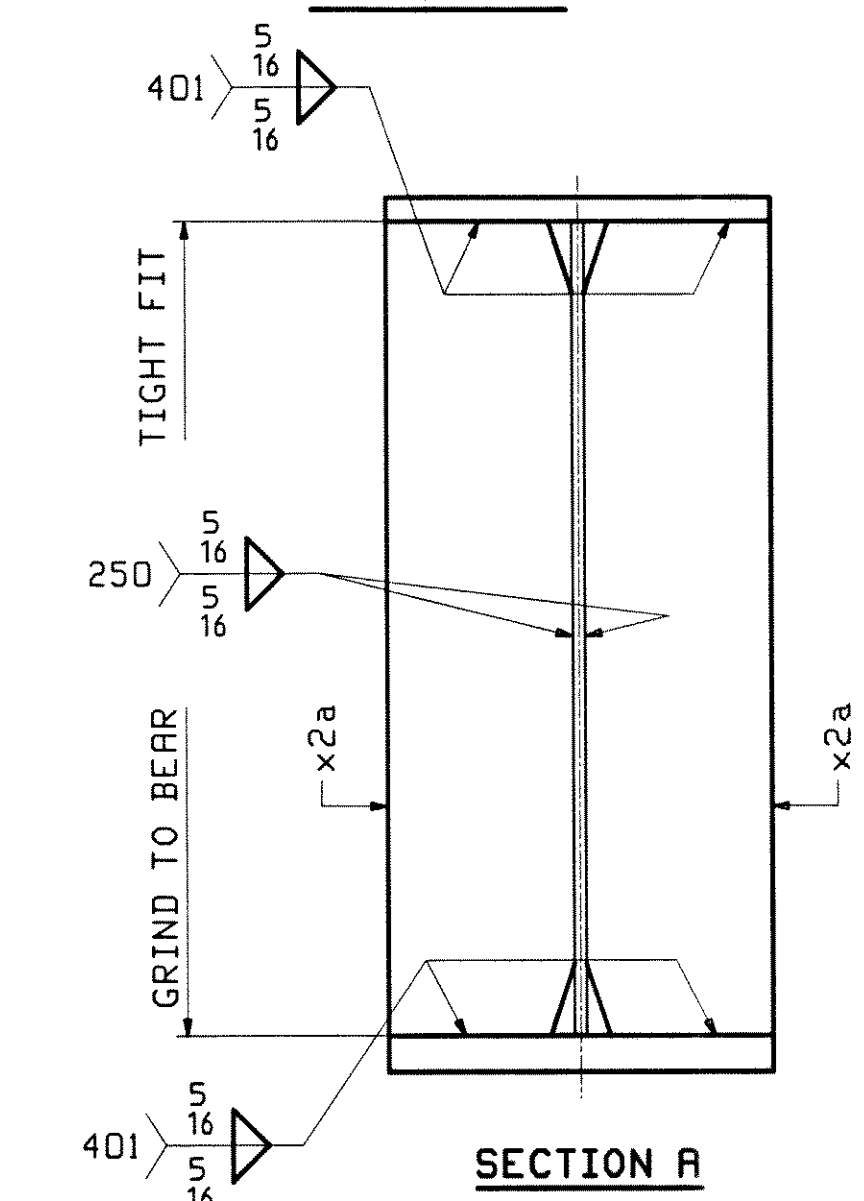
SEE CAMBER
DIAGRAM



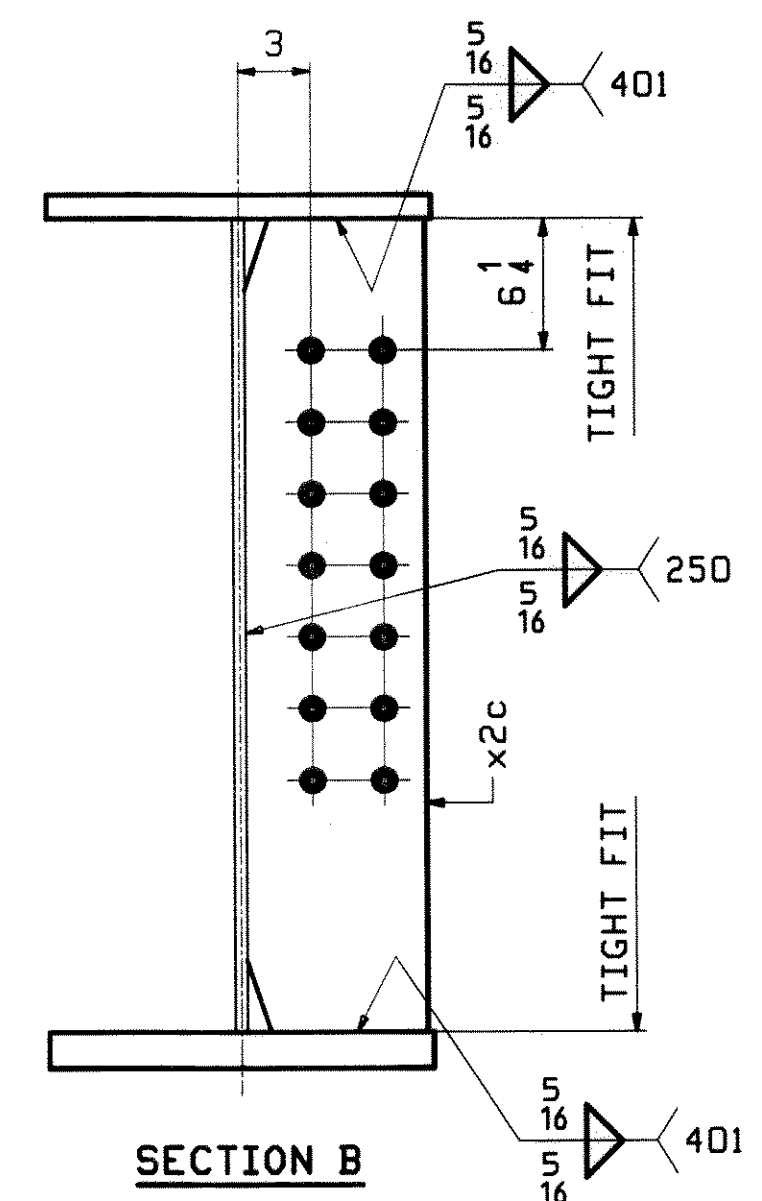
SECTION BA

ONE - GIRDER - 5G5A (DEV)

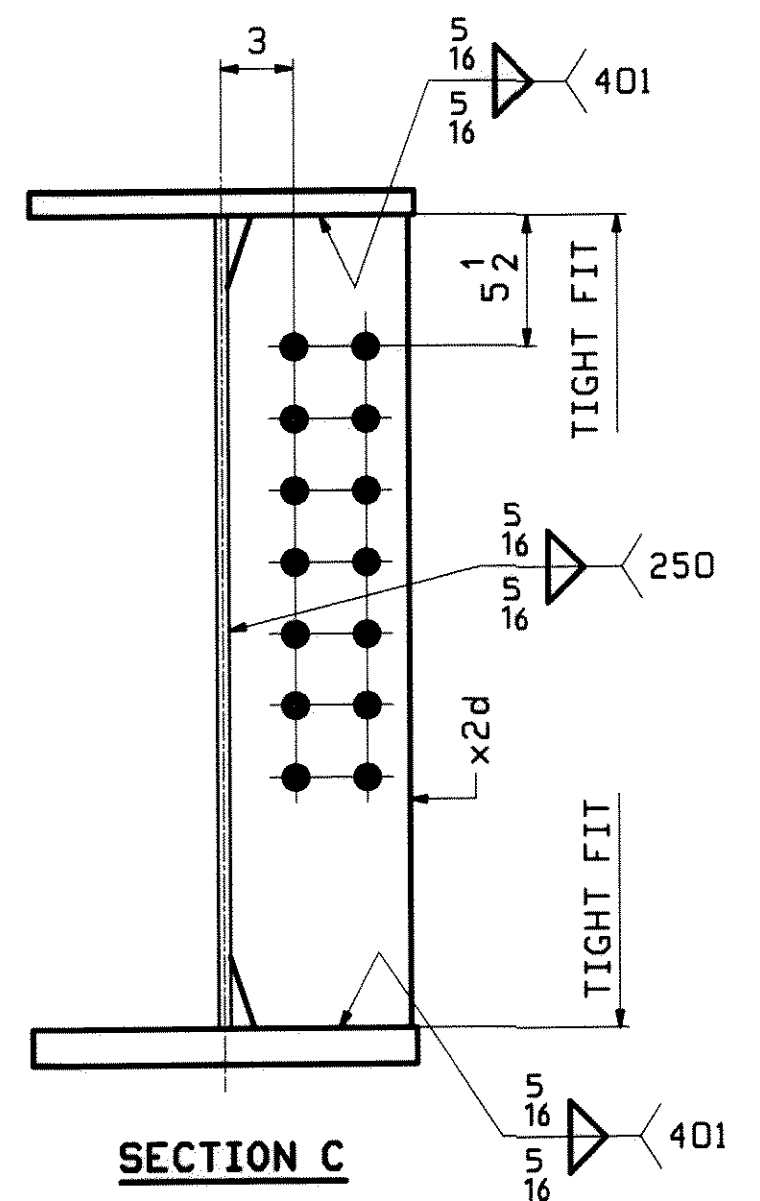
FOR FIELD SPLICE & STANDARD DETAILS SEE X SHEETS
FOR CAMBER DIAGRAM SEE SHEET C1
FOR FLANGE DIAGRAM SEE SHEET F1
FOR GENERAL NOTES SEE SHEET GNI



SECTION A

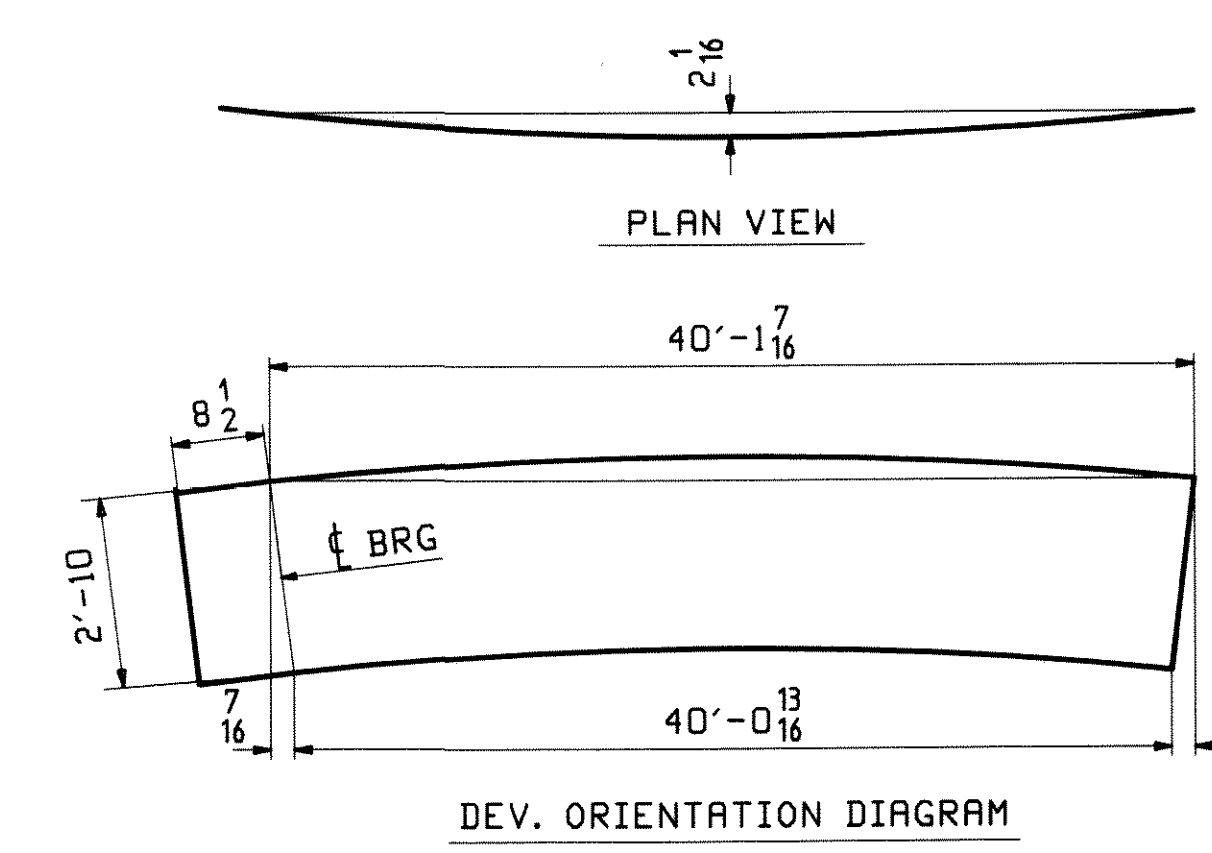


SECTION B



SECTION C

NOTE A:
NO PAINT BOTTOM AND EDGES OF BOTTOM FLANGE.



DATE: 2/9/10
 SIGNATURE: [Signature]
 CHECKED: [Signature]

REV.	DATE	REMARKS	DWN	CHK	APVL
0					JAN 20 2010
MATERIAL:		M270-SOW (UN)	SURFACE PREP. & PAINT: SEE GNI		HOLES: 15/16" Ø U.N.
DESCRIPTION:		GIRDER - 5G5A			
CASCO BAY STEEL STRUCTURES, INC. 75 SPRING HILL ROAD SACO, MAINE 04072 PHONE (207) 282-7360 FAX. (207) 282-1179					
STRUCTURE: U.S. 5 over I-91 Bridge No. 19A Putney County of Windham					DRAWN: WJF CHKD: DO
LOCATION: Putney		JOB NO. 438			
PROJ NO. IM 091-1(31)					
CUSTOMER: VT ROT					