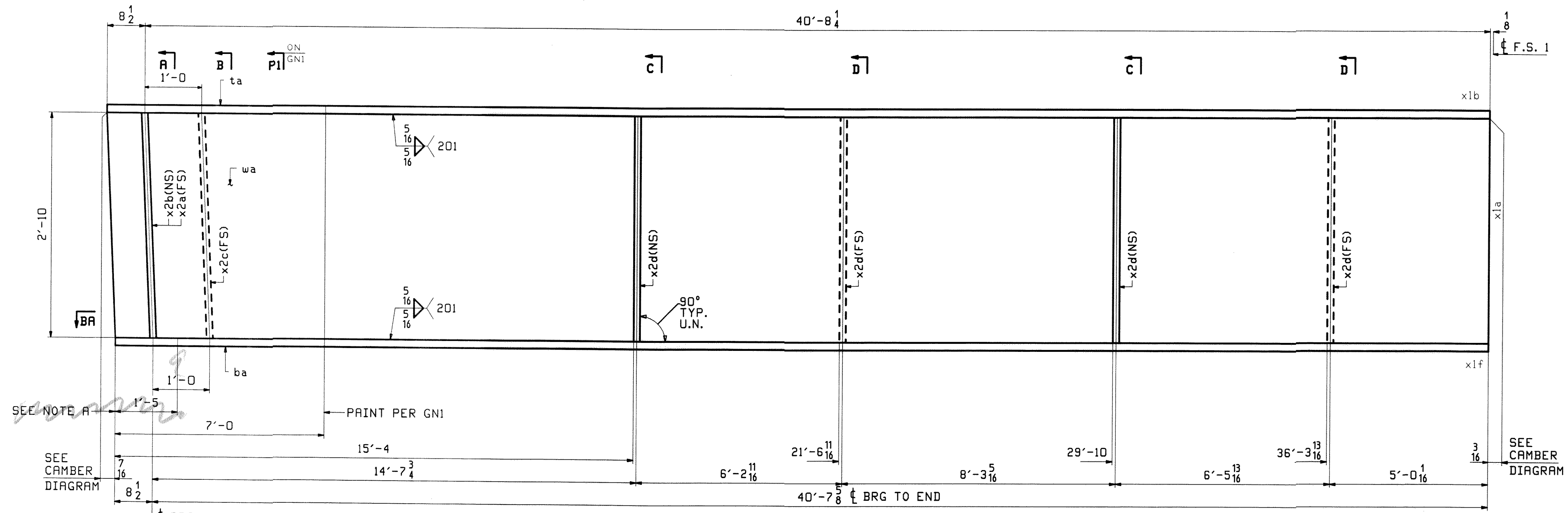


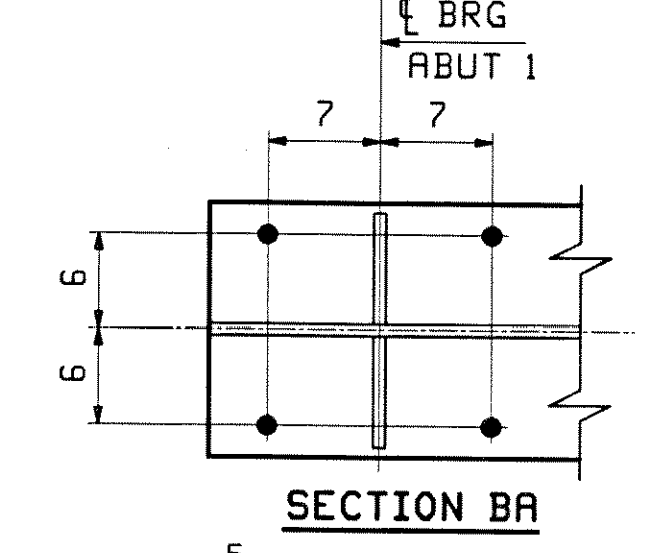
ABM INFO		BILL OF MATERIAL				JOB NO.		
PAGE	LINE	MARK	QTY	MARK	MATERIAL	LENGTH	REMARKS	
						FT	INCHES	
		3G3A	1		GIRDER			
5	Q		1	ua	PL 1/2x34	41	3/4	M270-50HT2
3	S		1	ta	PL 1x16	41	3/4	M270-50HT2
2	E		1	ba	PL 1/2x16	43	1/8	M270-50HT2
6	K		1	x2a	PL 7/8x7 1/2	2	10	MIE
6	K		1	x2b	PL 7/8x7 1/2	2	10	MIE
6	L		1	x2c	PL 1/2x7 1/2	2	10	
6	L		4	x2d	PL 1/2x7 1/2	2	10	



FOR FIELD SPLICE XIMI  
DETAILS SEE SHT XI

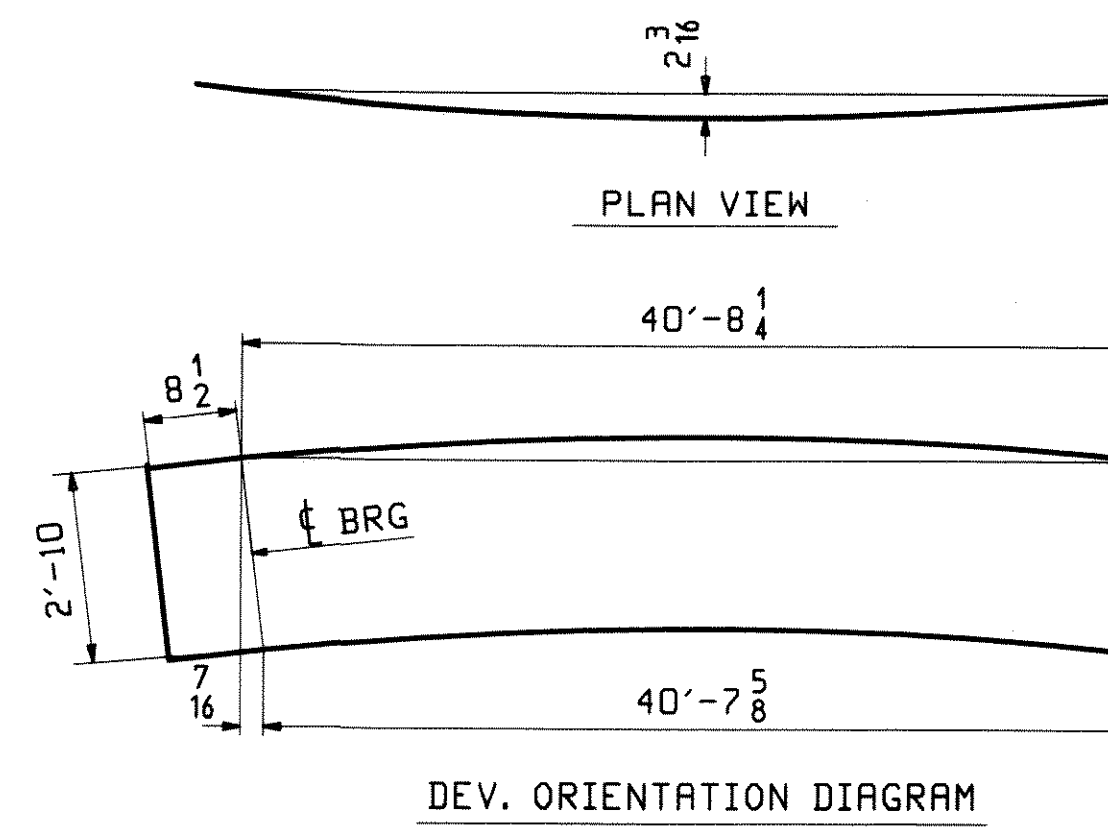
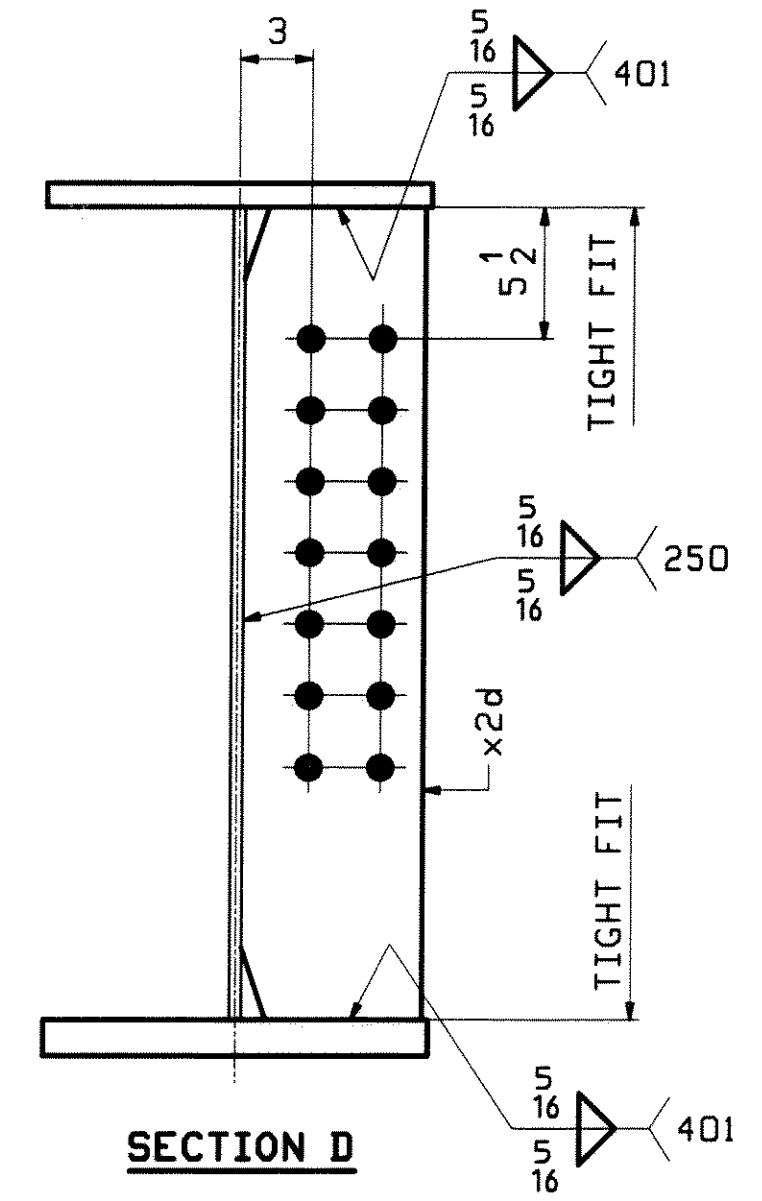
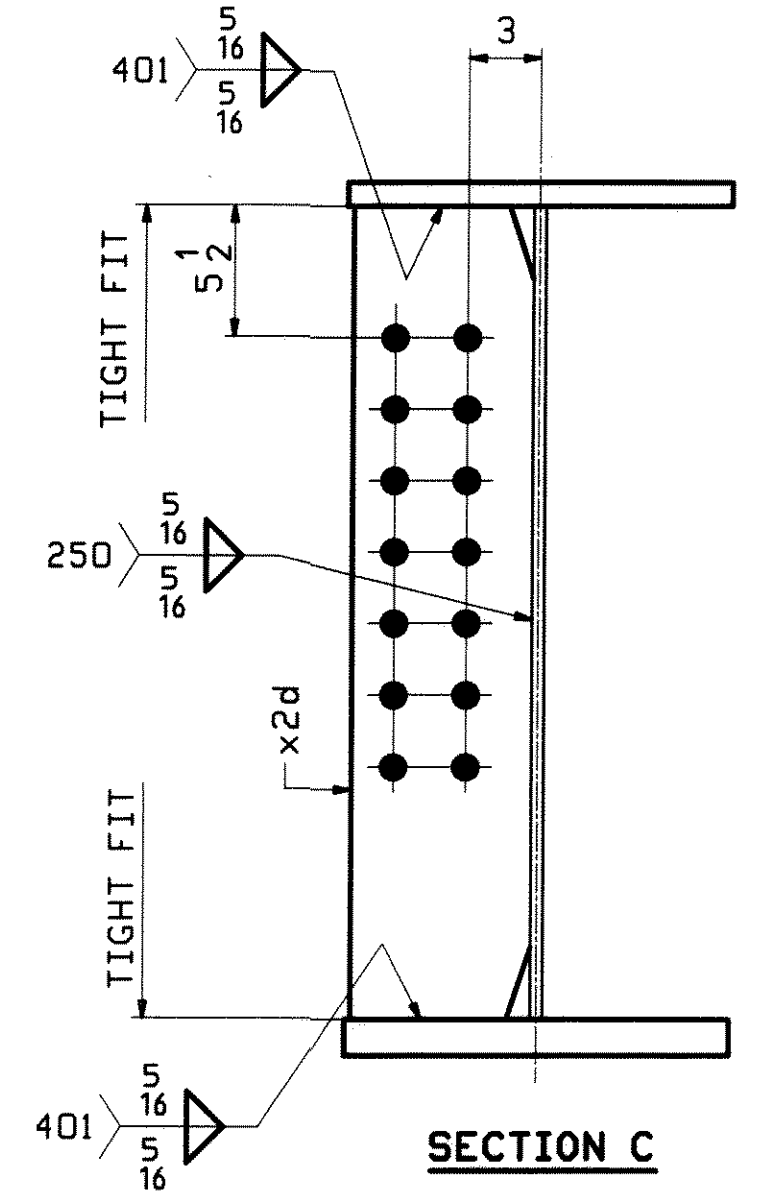
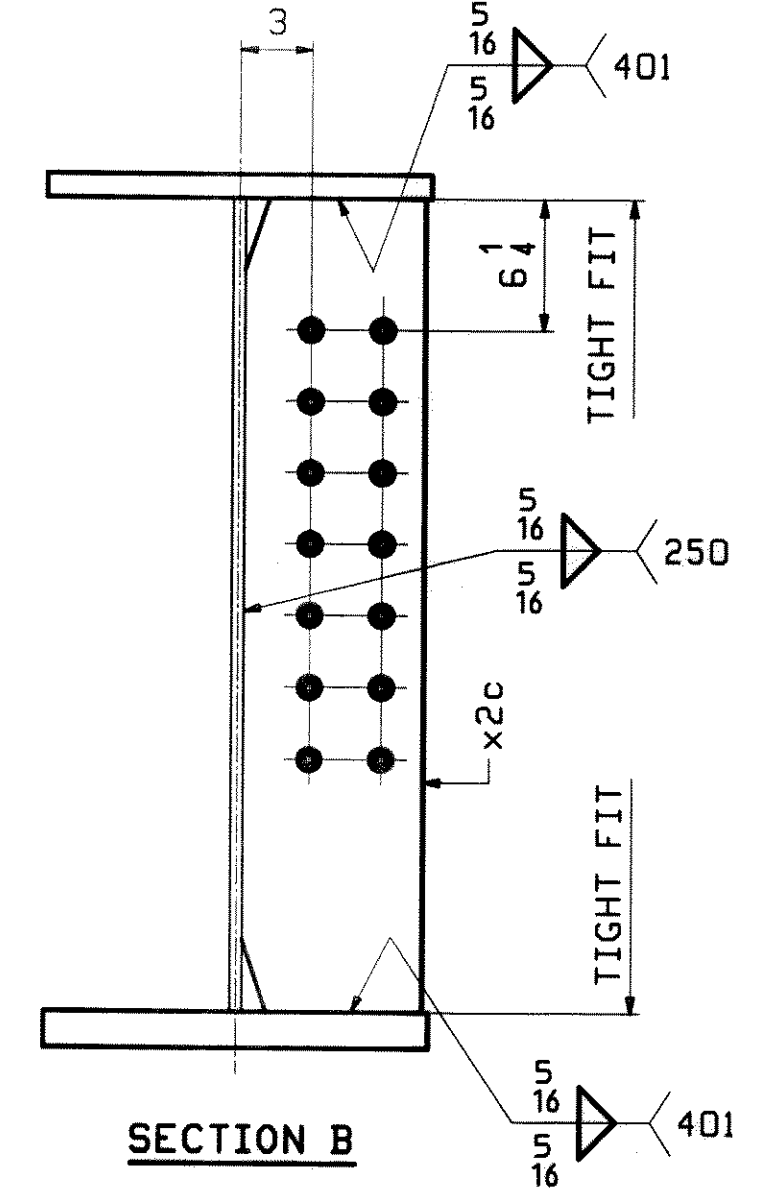
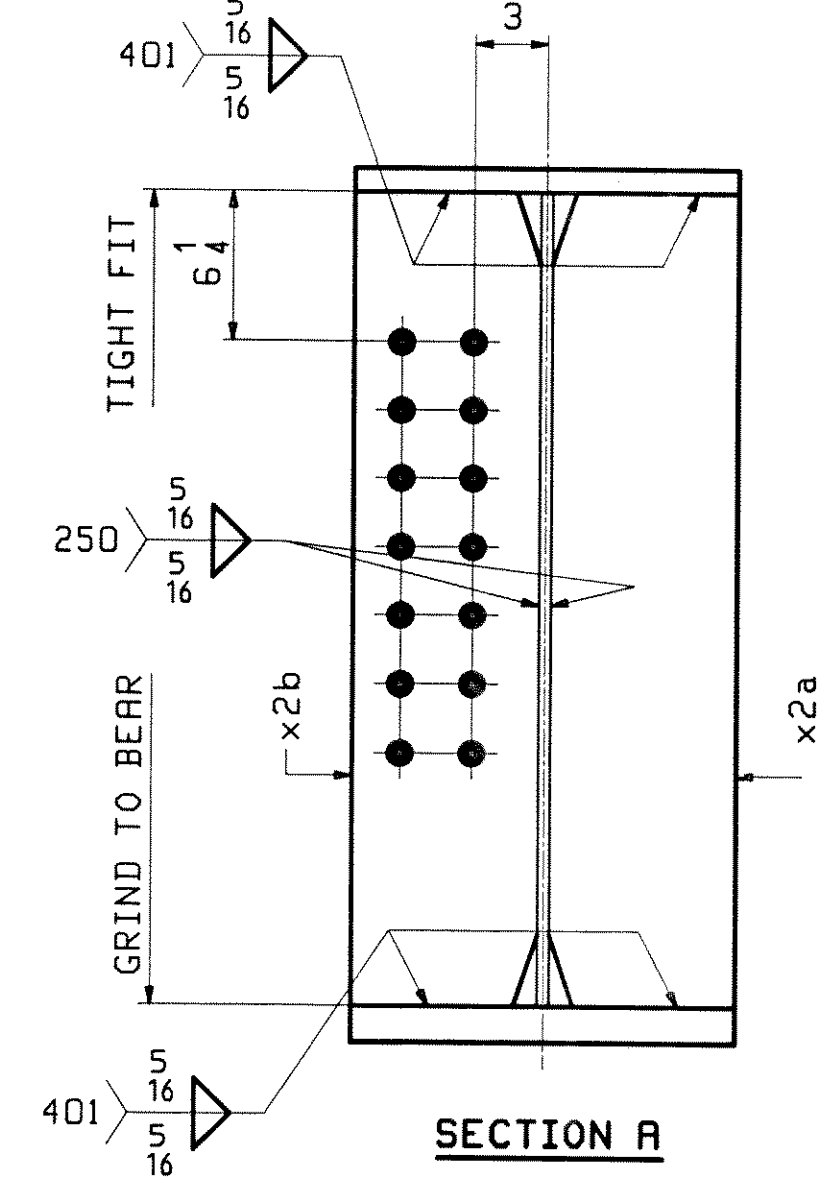
SEE NOTE A  
SEE CAMBER  
DIAGRAM

SEE  
CAMBER  
DIAGRAM



**ONE - GIRDER - 3G3A (DEV)**

FOR FIELD SPLICE & STANDARD DETAILS SEE X SHEETS  
FOR CAMBER DIAGRAM SEE SHEET C1  
FOR FLANGE DIAGRAM SEE SHEET F1  
FOR GENERAL NOTES SEE SHEET GNI



2/9/10  
2/9/10

NOTE A:  
NO PRINT BOTTOM AND EDGES OF BOTTOM FLANGE.

REV.	DATE	REMARKS	DWN	CHK	APV
0					AM 2 9
MATERIAL:		SURFACE PREP. & PAINT:	HOLES:		SH
M270-50W (UN)		SEE GNI	15/16" Ø U.N.		
DESCRIPTION: GIRDER - 3G3A					
CASCO BAY STEEL STRUCTURES, INC.					
75 SPRING HILL ROAD			SACO, MAINE 04072		
PHONE (207) 282-7360			FAX. (207) 282-1179		
STRUCTURE: U.S. 5 over I-91					DRAWN:
Bridge No. 19A					WJF
Putney					CHKD:
County of Windham					DO
LOCATION: Putney					JOB N
PROJ NO. IM 091-1(31)					
CUSTOMER: VT AOT					438

08 171 Jan 22, 2010 10:52:48 AM C:\MSW\JOB\2845\2.1 Rev.0