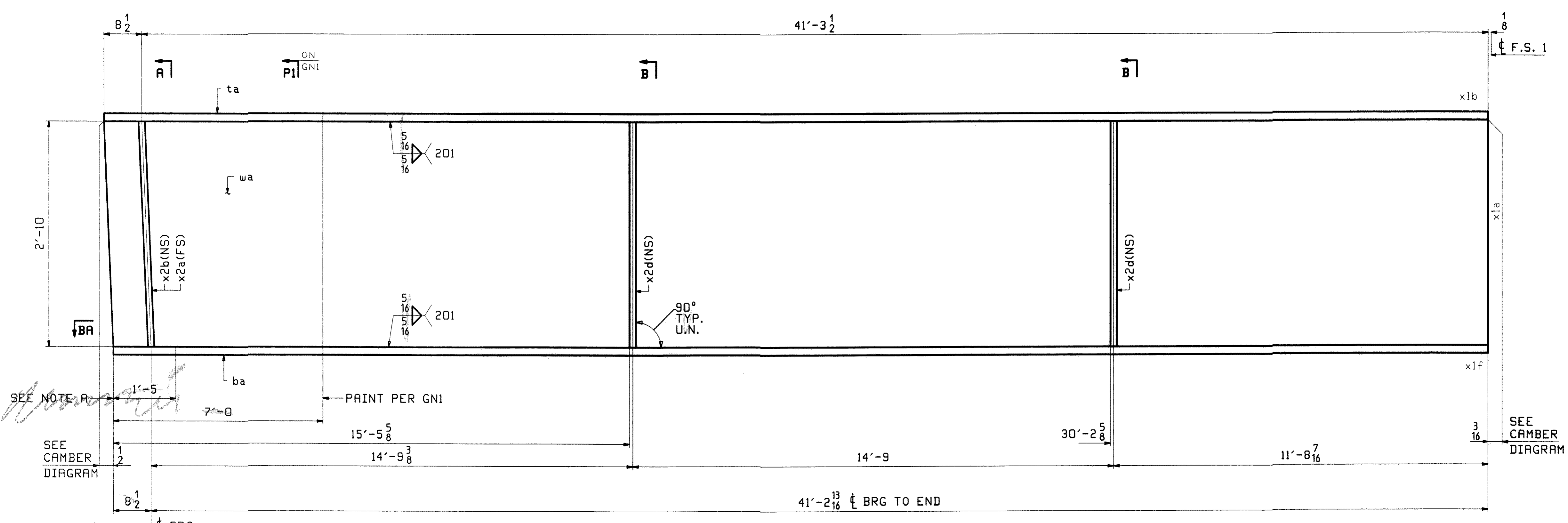


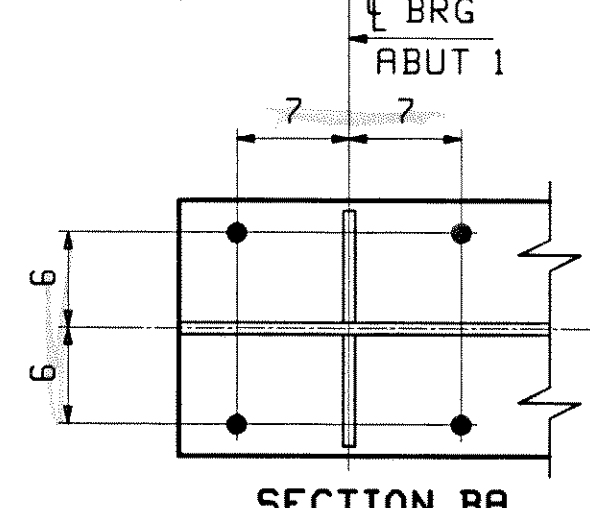
ABM INFO		BILL OF MATERIAL				JOB NO.
PAGE	LINE	MARK	QTY	MARK	MATERIAL	REMARKS
		IG1A	1		GIRDER	
5	L		1	wa	PL 1/2x34	M270-50WT2
3	N		1	ta	PL 1x16	M270-50WT2
2	A		1	ba	PL 1/2x16	M270-50WT2
6	K		1	x2a	PL 7/8x7 3/4	MIC
6	K		1	x2b	PL 8x7 3/4	MIC
6	L		2	x2d	PL 1/2x7 1/2	MIC



SEE NOTE A  
SEE CAMBER DIAGRAM

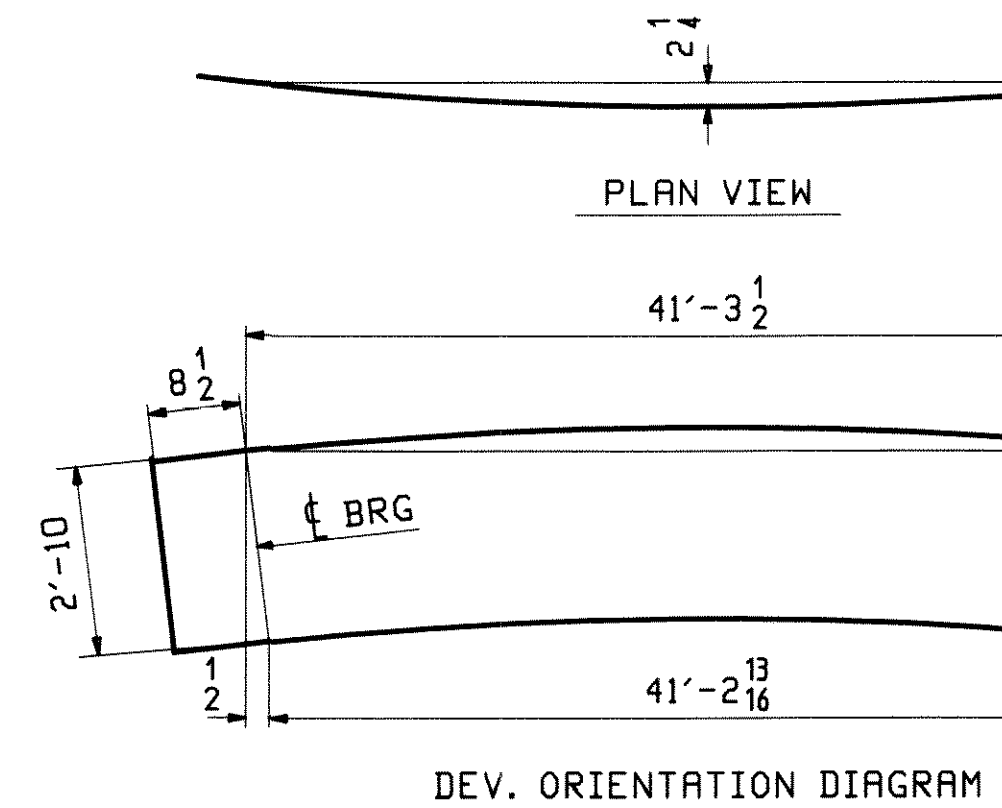
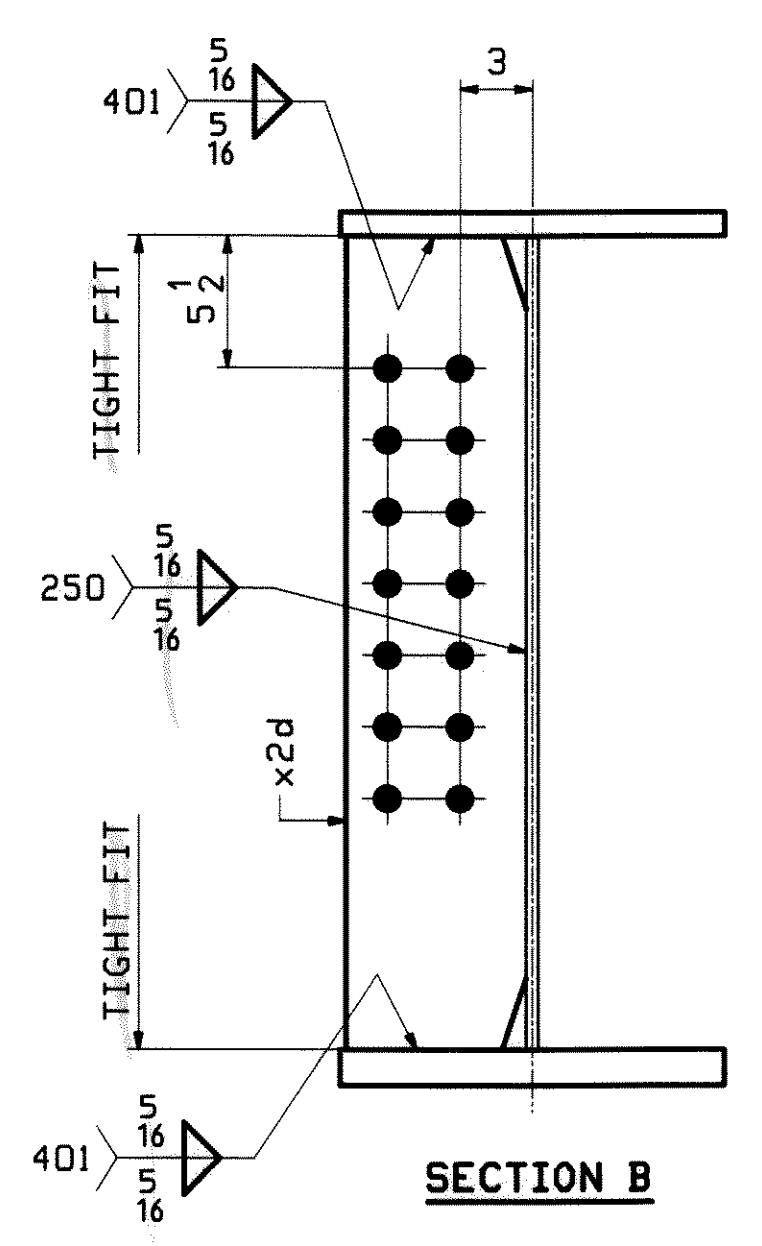
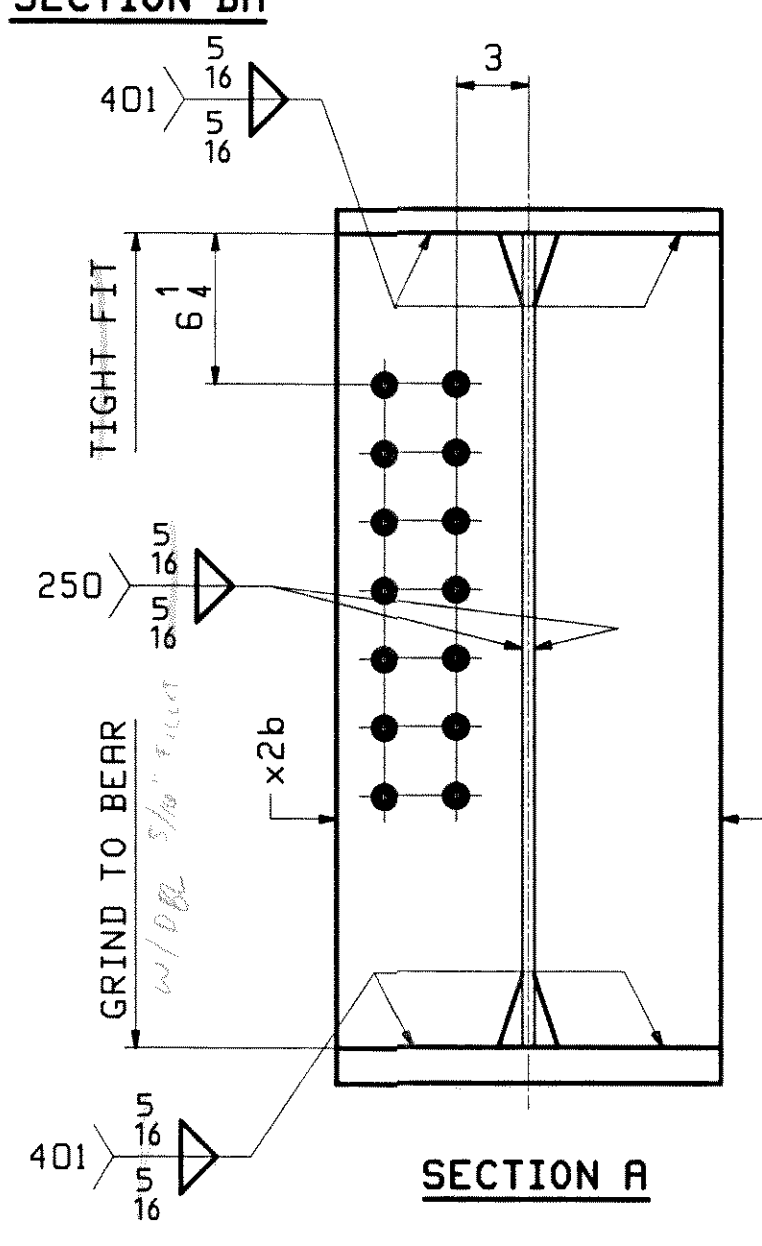
FOR FIELD SPLICE XIMI DETAILS SEE SHT XI

SEE CAMBER DIAGRAM



**ONE - GIRDER - IG1A (DEV)**

FOR FIELD SPLICE & STANDARD DETAILS SEE X SHEETS  
FOR CAMBER DIAGRAM SEE SHEET C1  
FOR FLANGE DIAGRAM SEE SHEET F1  
FOR GENERAL NOTES SEE SHEET GNI



DATE: 2/9/10  
SIGNATURE: [Signature]  
REVIEW BY: [Signature]  
REVISIONS: [Table with 4 columns: NO., DATE, DESCRIPTION, BY]

NOTE A:  
NO PRINT BOTTOM AND EDGES OF BOTTOM FLANGE.

REV.	DATE	REMARKS	DWN	CHK
0				

MATERIAL: M270-50W (UN) SURFACE PREP. & PAINT: SEE GNI HOLES: 15° Ø U.N.

DESCRIPTION: GIRDER - IG1A

CASCO BAY STEEL STRUCTURES, INC.  
75 SPRING HILL ROAD SACO, MAINE 04072  
PHONE (207) 282-7360 FAX. (207) 282-1179

STRUCTURE: U.S. 5 over I-91  
Bridge No. 19A  
Putney  
County of Windham

LOCATION: Putney  
PROJ NO. IM 091-1(31)  
CUSTOMER: VT AOT