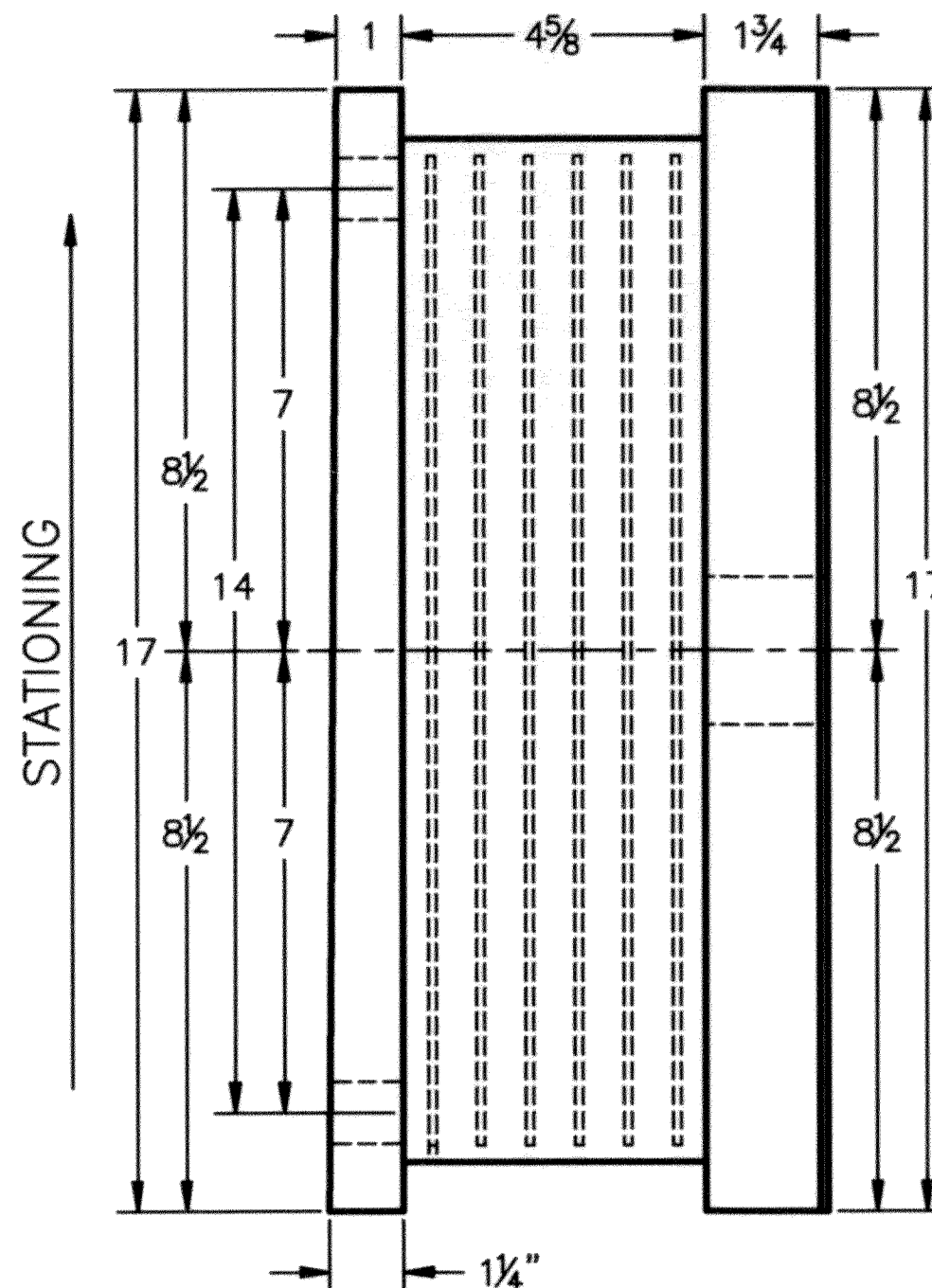


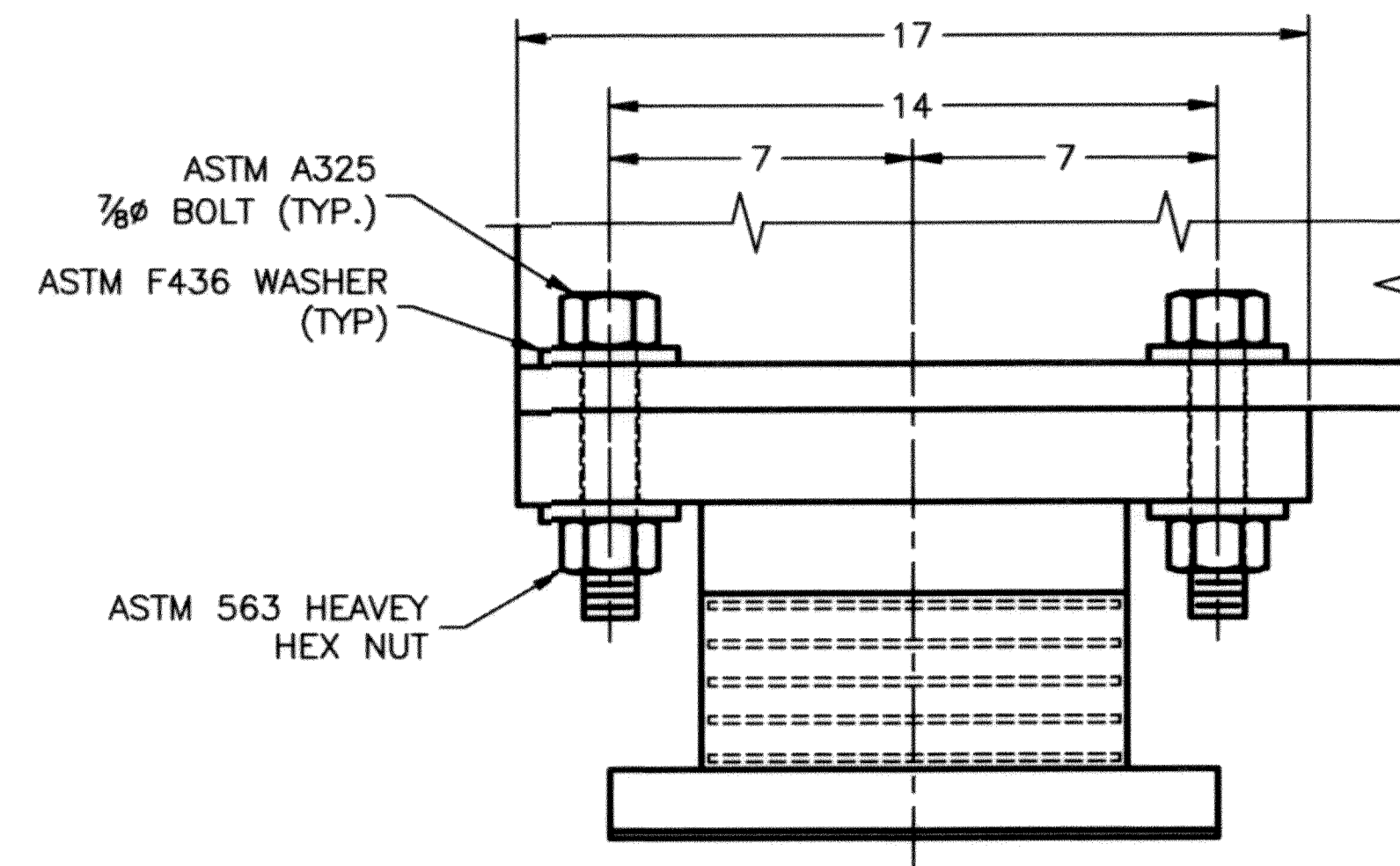
PLAN VIEW
QTY REQ'D = 10 ASSY.
PIERS 1 & 3

1 7/8" x 2 1/4" SLOTTED HOLE

Ø 1 5/16 (TYP.)

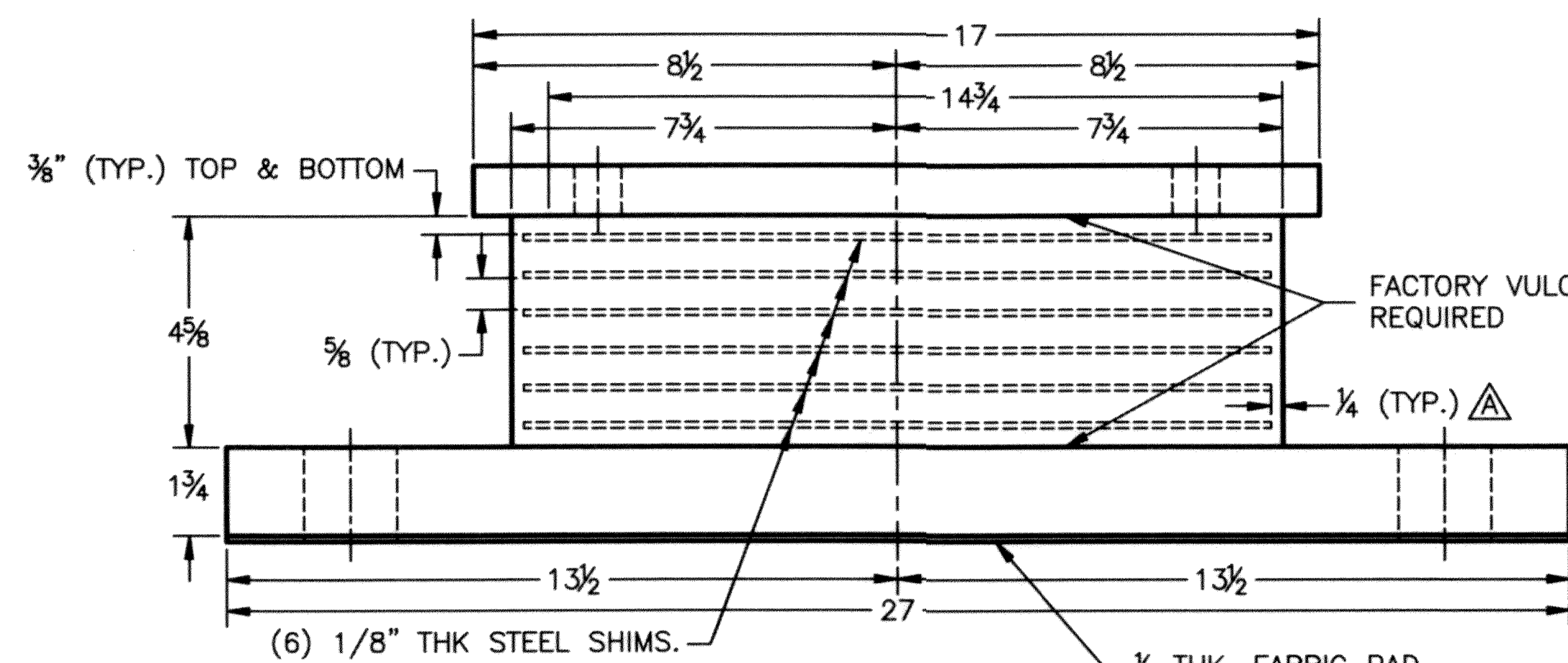


REVISIONS				
ZONE	REV	DESCRIPTION	DATE	APPROVED
--	A	PER ENGINEER'S MARK	2/23/10	C.A.M.

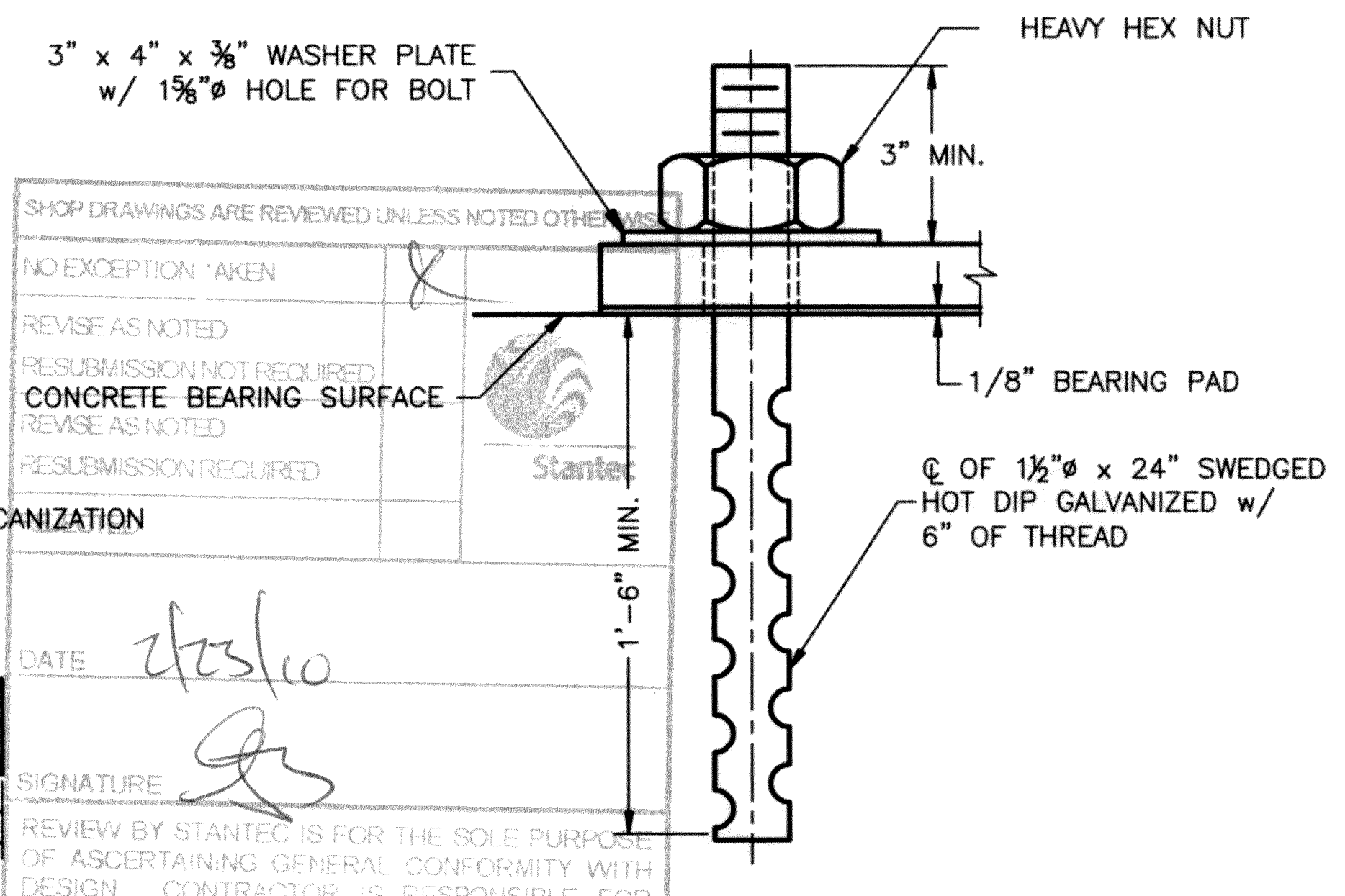


SOLE PLATE TO FLANGE CONNECTION DETAIL
(ALL BEARINGS)

** FOR NOTES SEE SHEET 2 OF 3



ELEVATION VIEW



ANCHOR BOLT DETAIL

QTY. REQ'D = 20, 2 PER BEARING

SHOP DRAWINGS ARE REVIEWED UNLESS NOTED OTHERWISE

NO EXCEPTION TAKEN

REVISE AS NOTED

RESUBMISSION NOT REQUIRED

CONCRETE BEARING SURFACE

REVISE AS NOTED

RESUBMISSION REQUIRED

DATE: 2/23/10

SIGNATURE: [Signature]

REVIEW BY STANTEC IS FOR THE SOLE PURPOSE OF ASCERTAINING GENERAL CONFORMITY WITH DESIGN. CONTRACTOR IS RESPONSIBLE FOR DIMENSIONS, FABRICATION AND CONSTRUCTION METHODS, COORDINATION OF COMPONENTS, AND ERRORS OR OMISSIONS ON SHOP DRAWINGS.

VERMONT AGENCY OF TRANSPORTATION
PROPOSED IMPROVEMENT BRIDGE PROJECT
TOWN OF PUTNEY, COUNTY OF WINDHAM
US RT. 5 FAS (MAJOR COLLECTOR), BRIDGE 19A

EXPANSION ELASTOMERIC BEARING DETAIL

AMSCOT

STRUCTURAL PRODUCTS CORP.
DOVER, NJ JOB # 3383

SCALE: N.T.S.	CHECKED: B.F.	DRAWN BY: C.A.M.
DATE: 1/29/10		REVISION: A

FOR: J.A. MCDONALD, INC.

DWG NO: JAM10A3RA SHEET NO. 3 OF 3