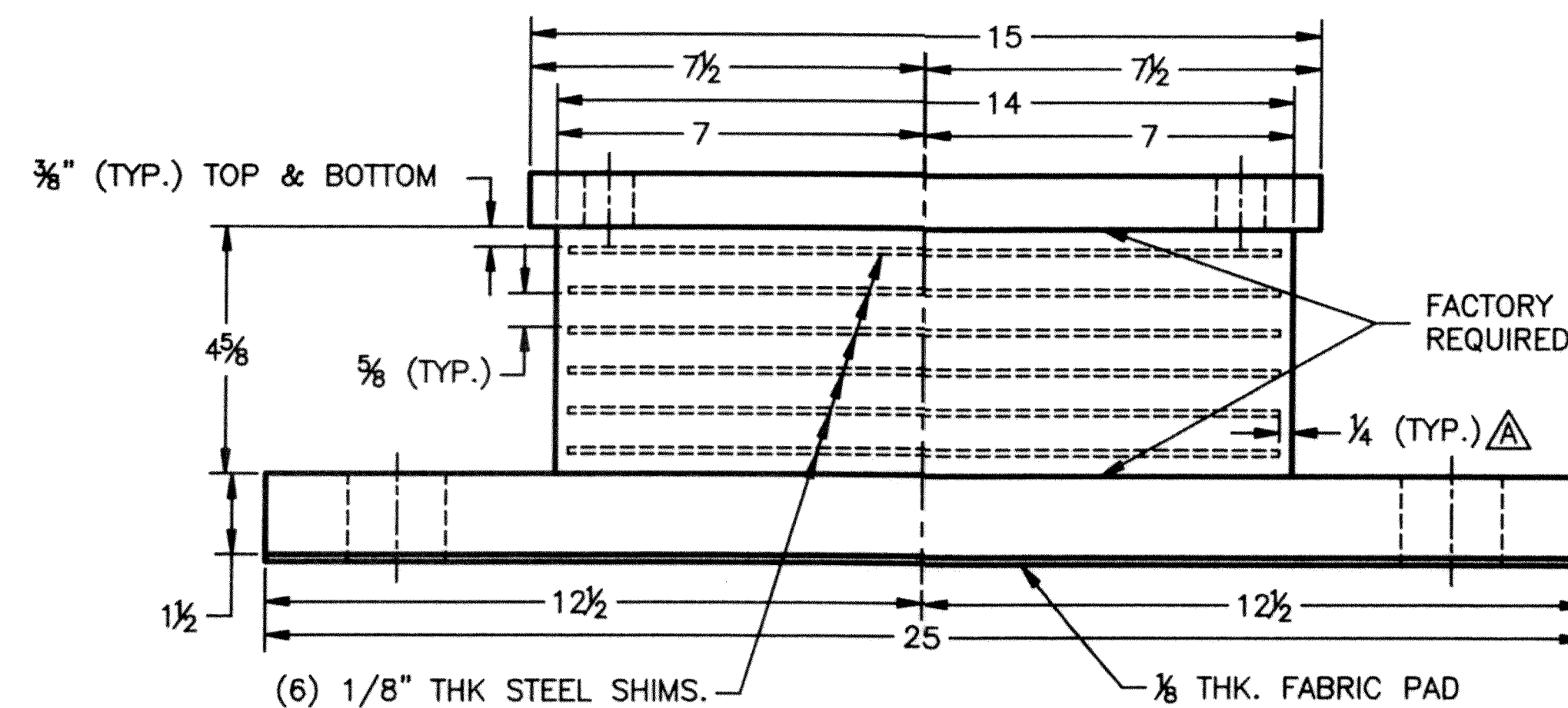
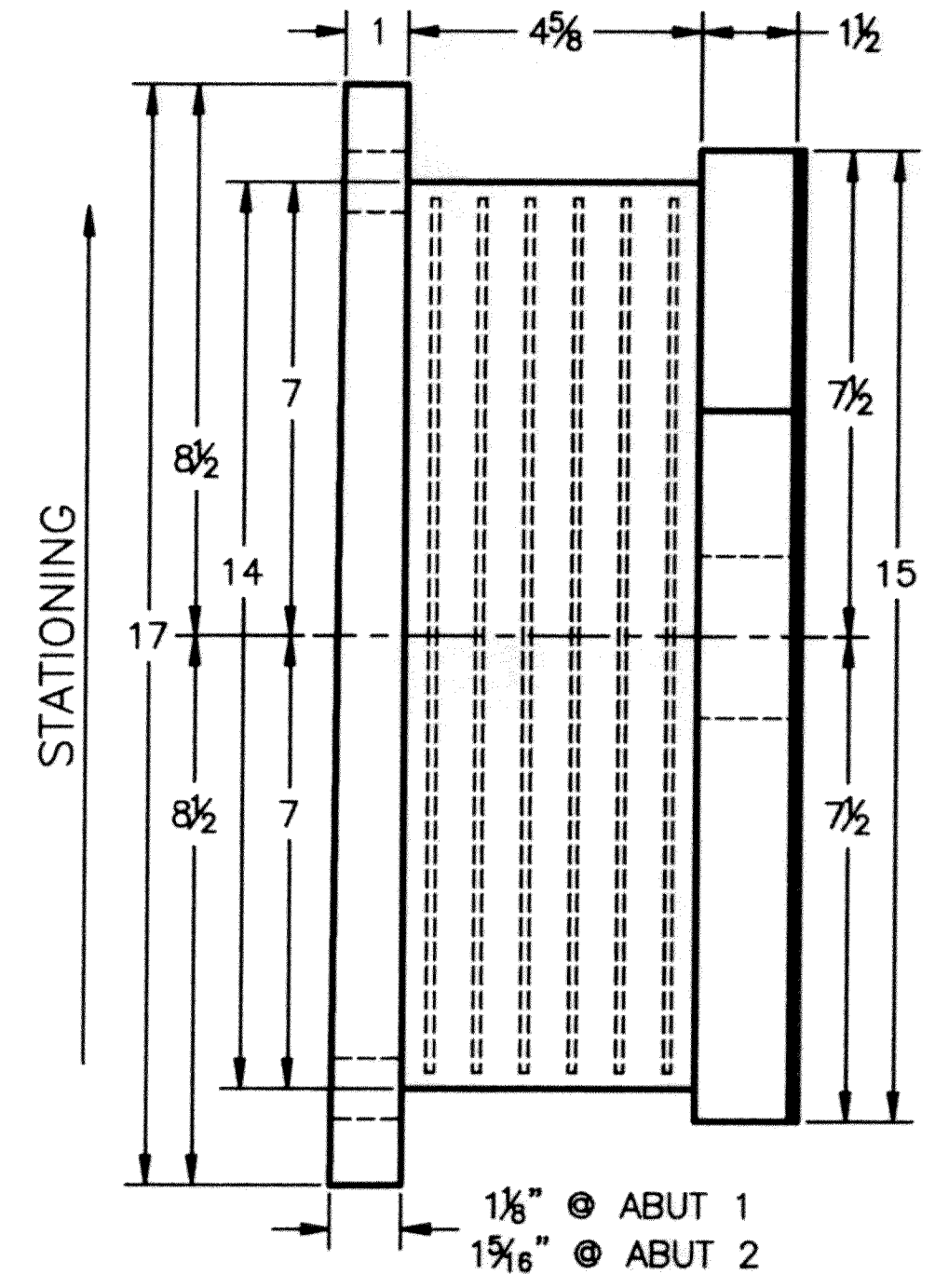
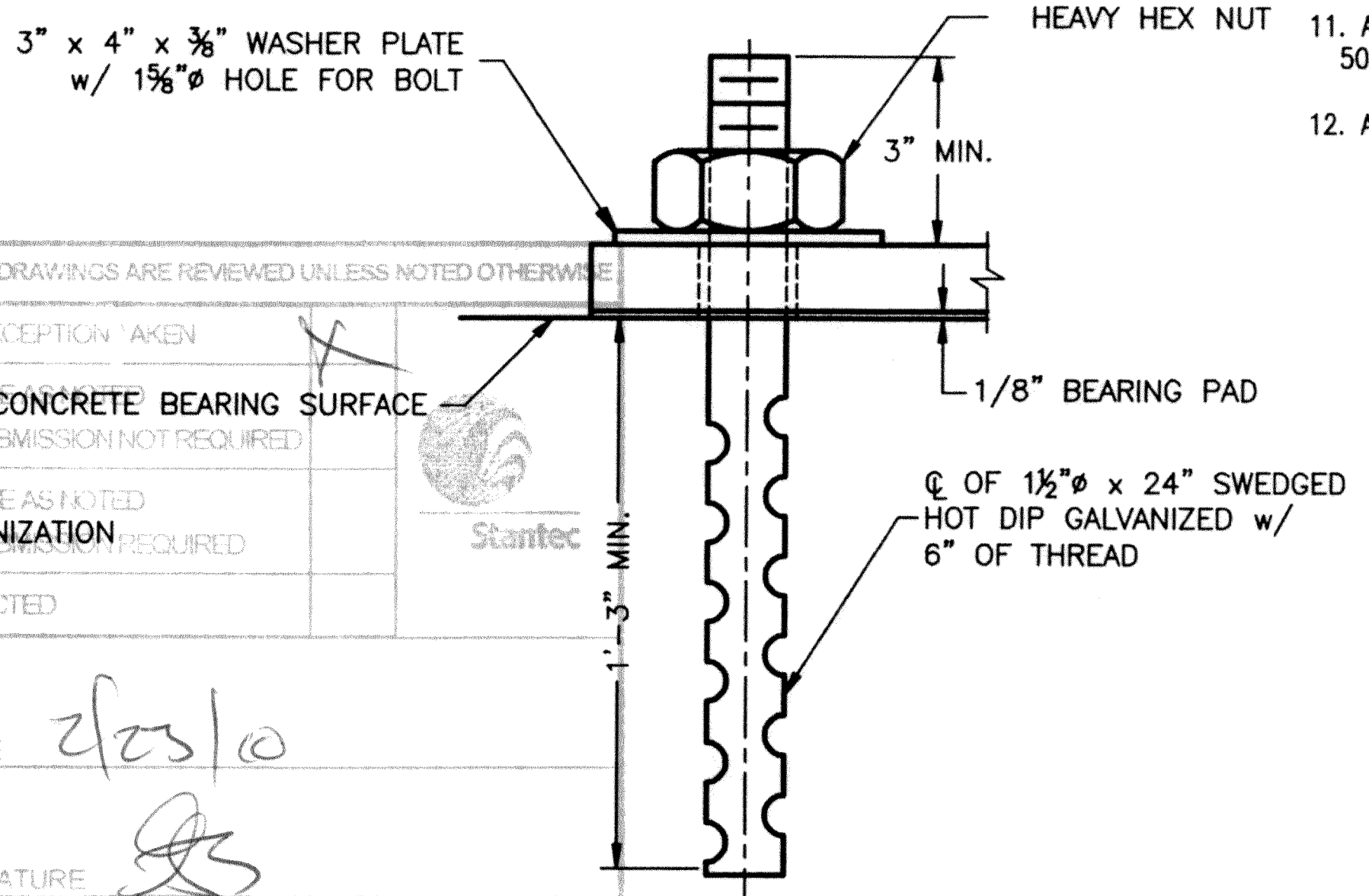


PLAN VIEW
QTY REQ'D = 10 ASSY.
ABUTMENTS 1 & 2



ELEVATION VIEW



ANCHOR BOLT DETAIL

QTY. REQ'D = 20, 2 PER BEARING

SHOP DRAWINGS ARE REVIEWED UNLESS NOTED OTHERWISE

NO EXCEPTION TAKEN

REVISIONS:

REVISION	DATE	BY
1	2/23/10	[Signature]

CONCRETE BEARING SURFACE

RESUBMISSION NOT REQUIRED

REVISION AS NOTED

REVISION REQUIRED

REJECTED

DATE: 2/23/10

SIGNATURE: [Signature]

REVIEW BY STANTEC IS FOR THE SOLE PURPOSE OF ASCERTAINING GENERAL CONFORMANCE WITH THE DESIGN. CONTRACTOR IS RESPONSIBLE FOR THE DIMENSIONS, FABRICATION AND CONSTRUCTION METHODS, COORDINATION OF COMPONENTS, AND ERRORS OR OMISSIONS ON SHOP DRAWINGS.

REVISIONS				
ZONE	REV	DESCRIPTION	DATE	APPROVED
--	A	PER ENGINEER'S MARK	2/23/10	C.A.M.

NOTES:

- BEARINGS TO BE MANUFACTURED ACCORDING TO AASHTO STANDARD SPECIFICATIONS FOR HIGHWAY BRIDGES, 17th. EDITION, 2002.
- THE BEARINGS ARE DESIGNED SO THAT THE SUPERSTRUCTURE MAY BE ERECTED WHEN THE AMBIENT AIR TEMPERATURE IS WITHIN THE RANGE OF 20°F. TO 70°F.
- THE ELASTOMER AASHTO GR. (NATURAL RUBBER), TEMPERATURE GR. 3, SHALL HAVE A DUROMETER HARDNESS SHORE A 60 ± 5 POINTS. SHEAR MODULUS TO BE 152 PSI ± 15%.
- STEEL SHIM PLATES FOR INTERNAL LAMINATES SHALL BE ROLLED MILD STEEL CONFORMING TO THE REQUIREMENTS OF ASTM A-1011, GRADE 36. SHIMS SHALL BE SMOOTH CUT, DEBURRED, GRIT BLASTED, AND DEGREASED PRIOR TO VULCANIZATION.
- ALL STEEL IN BEARINGS SHALL BE ASTM A-709 GRADE 36.
- ALL STEEL PRODUCED IN THE U.S.A.
- CONTACT PETER SOMOGYI, COORDINATOR.
- TOLERANCES: THICKNESS -0+1/16"
PLAN -0+1/16"
- MANUFACTURING FACILITY LOCATION:
AMSCOT STRUCTURAL PRODUCTS INC.
241 EAST BLACKWELL STREET
DOVER, NJ 07801
- ALL DIMENSIONS ARE IN INCHES.
- ALL BEARING DEVICES SHALL BE GALVANIZED AS PER STANDARD SPECIFICATIONS 506.15 AND 531.04(b), AS MODIFIED BY THE GENERAL SPECIAL PROVISIONS.
- ALL ANCHOR BOLTS, NUTS AND WASHERS SHALL BE GALVANIZED.

VERMONT AGENCY OF TRANSPORTATION
PROPOSED IMPROVEMENT BRIDGE PROJECT
TOWN OF PUTNEY, COUNTY OF WINDHAM
US RT. 5 FAS (MAJOR COLLECTOR), BRIDGE 19A

**EXPANSION ELASTOMERIC
BEARING DETAIL**

AMSCOT
STRUCTURAL PRODUCTS CORP.
DOVER, NJ JOB # 3383

SCALE: N.T.S.	CHECKED: B.F.	DRAWN BY: C.A.M.
DATE: 1/28/10	REVISION: A	

FOR: J.A. MCDONALD, INC.

DWG NO: JAM10A2RA SHEET NO. 2 OF 3