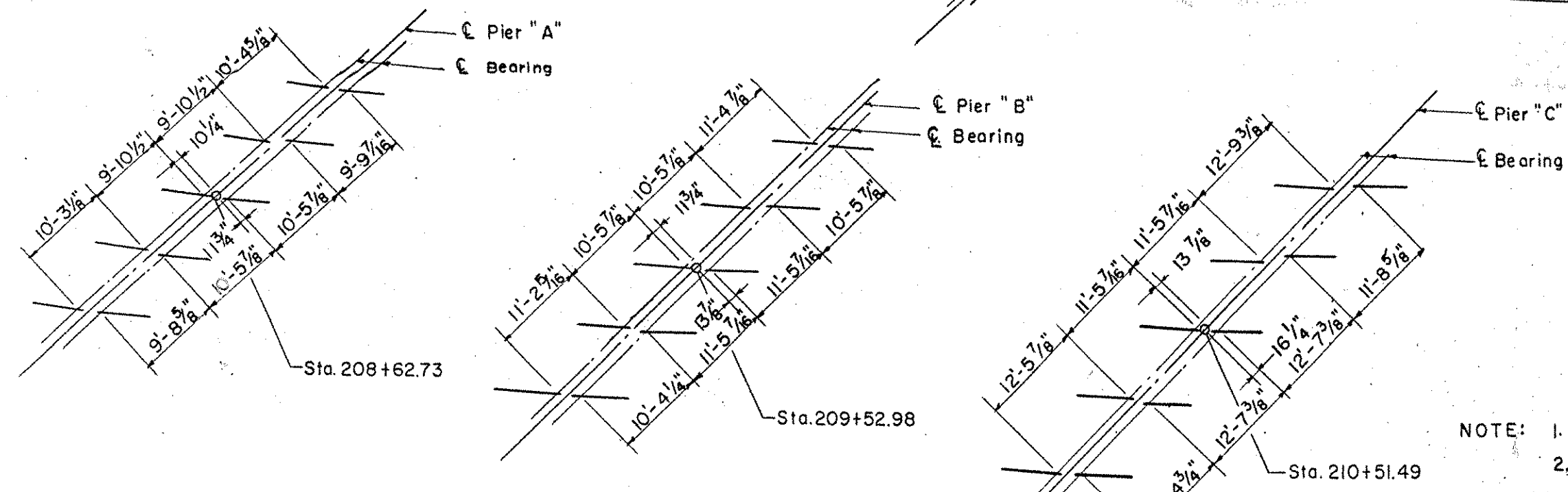
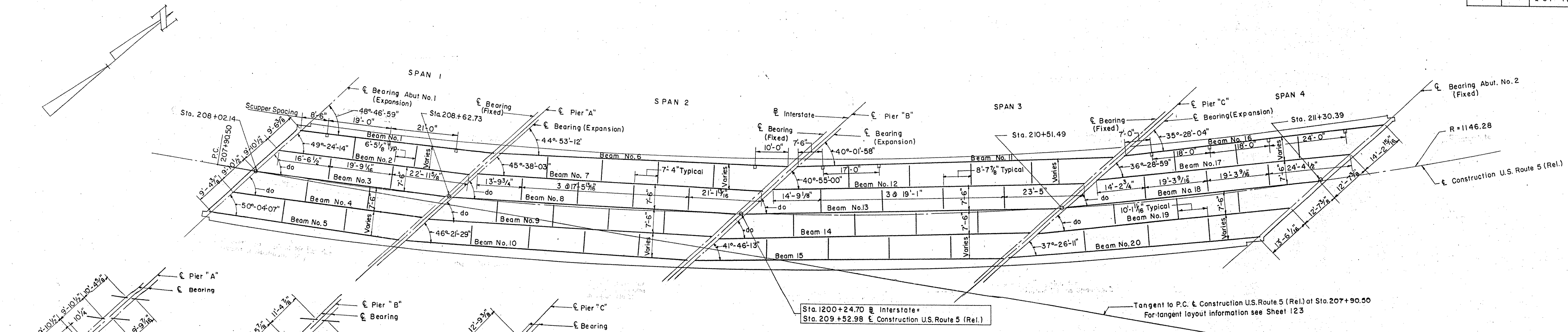
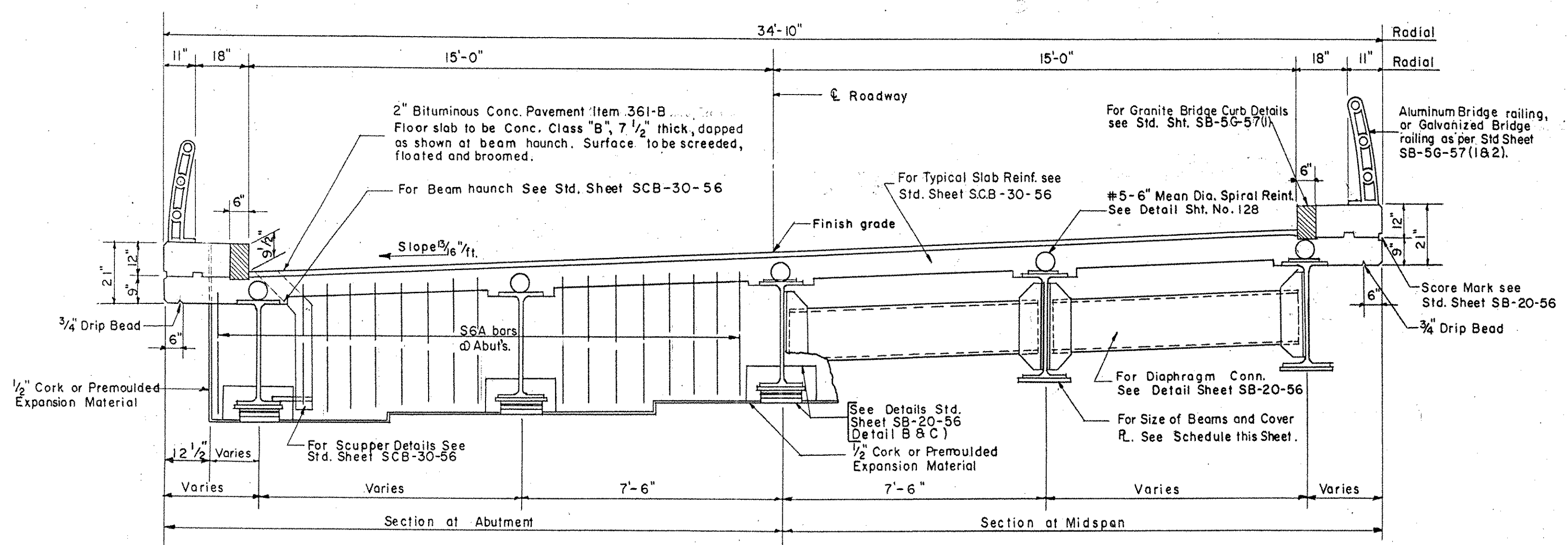
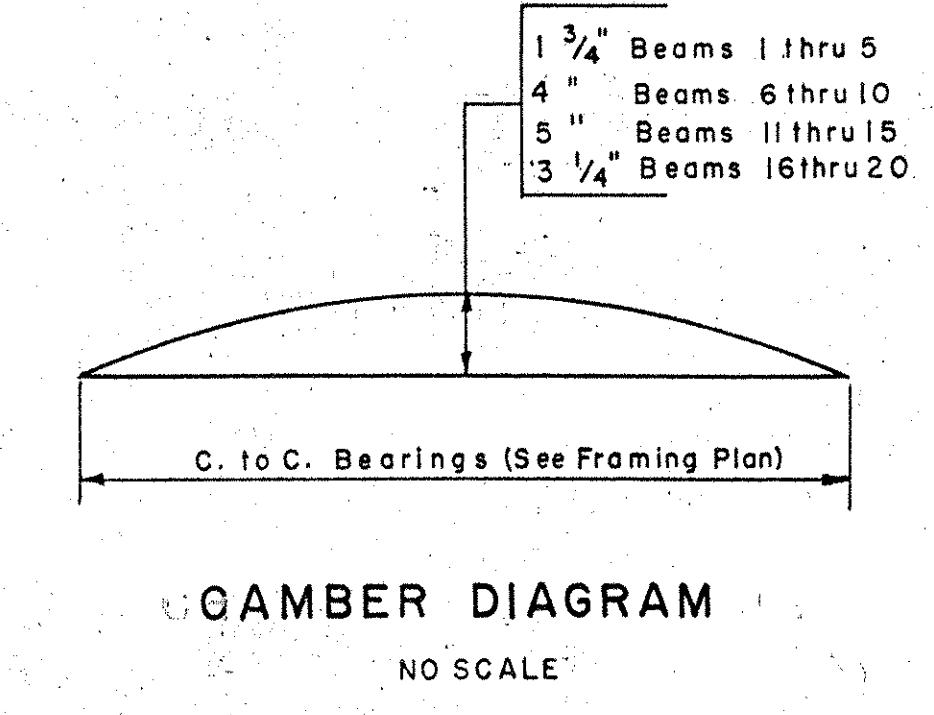


S.P.R. DIV. NO.	STATE	PROJECT NO.	SHEET NO.	TOTAL SHEETS
1	VT.	I 91 -1(10)	127	328



- NOTE:
- All Diaphragms 18 C 42.7.
 - All Beams shall be rolled to a true circular camber with the middle ordinate as shown on this sheet.
 - All dimensions are horizontal dimensions.
 - For bearing details, see Std. sheet SB-20-56.
 - Scuppers to be paid for under Item 404-A Structural steel.
 - All beams and cover plates shall conform to A. S. T. M. Designation A 373. All other structural steel shall conform to Designation A 7 or A 373.



BEAM NO.	C. to C. BEARINGS	BEAM SIZE	COVER PLATES
1	59'-9 7/8"	36 WF150	10" x 3/8" x 38'-0" Bottom
2	59'-3 3/8"	do	do
3	do	do	do
4	do	do	do
5	58'-8 3/4"	do	do
6	88'-6 3/4"	36 WF 300	14" x 1" x 52'-8" Bottom
7	87'-5 1/8"	do	do
8	do	do	do
9	do	do	do
10	86'-4 3/4"	do	do
11	97'-2"	do	Top 12" x 1/2" x 63'-6" Bot. 18" x 3/4" x 66'-9"
12	95'-5 1/8"	do	do
13	do	do	do
14	do	do	do
15	93'-9 7/8"	do	do
16	79'-2 1/8"	36 WF194	14" x 1 1/4" x 54'-0" Bol.
17	77'-2 3/8"	do	do
18	do	do	do
19	do	do	do
20	75'-6 1/16"	do	do

PUTNEY - BRIDGE 19A
NH F019-1(15)
SHEET NO. 74 OF 75
FOR REFERENCE ONLY

IM 091-1(31)
This sheet for information only
BR 17
STRUCTURAL STEEL PLAN
STATE OF VERMONT
DEPARTMENT OF HIGHWAYS
INTERSTATE PROJECT in the town of
PUTNEY
INTERSTATE UNDER STA. I200+24.70
U.S. ROUTE 5 (REL.) STA. 209+52.98
THE CLARKESON ENGINEERING CO. INC.
CONSULTING ENGINEERS
BOSTON MASSACHUSETTS
SURVEYED BY: CHECKED BY: D. S. SCALE AS NOTED
DRAWN BY: H.B.C. IN CHARGE: J.V.S. DATE: _____
PROJECT NO. I 91 - (10) SHEET 127 OF 328