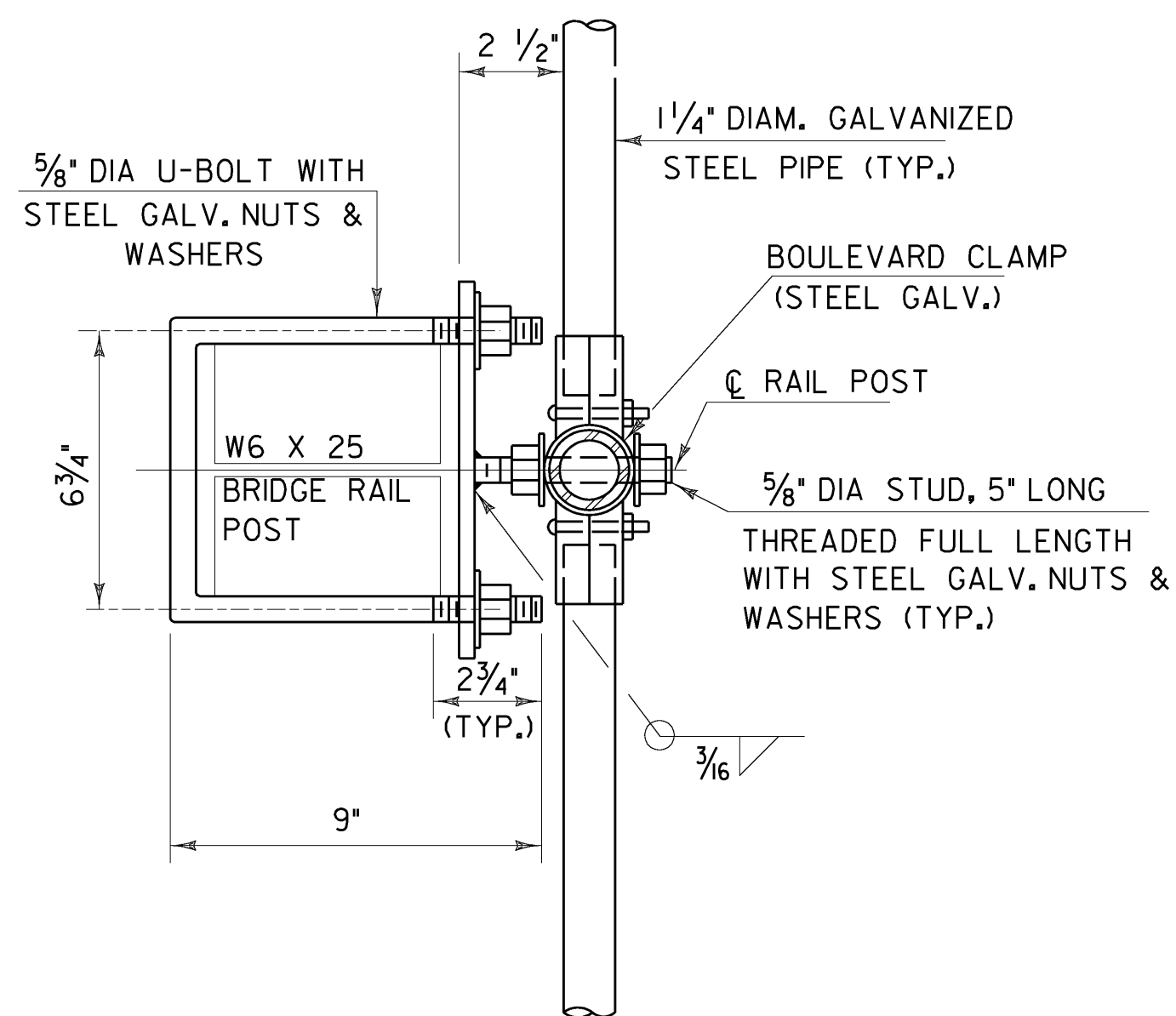


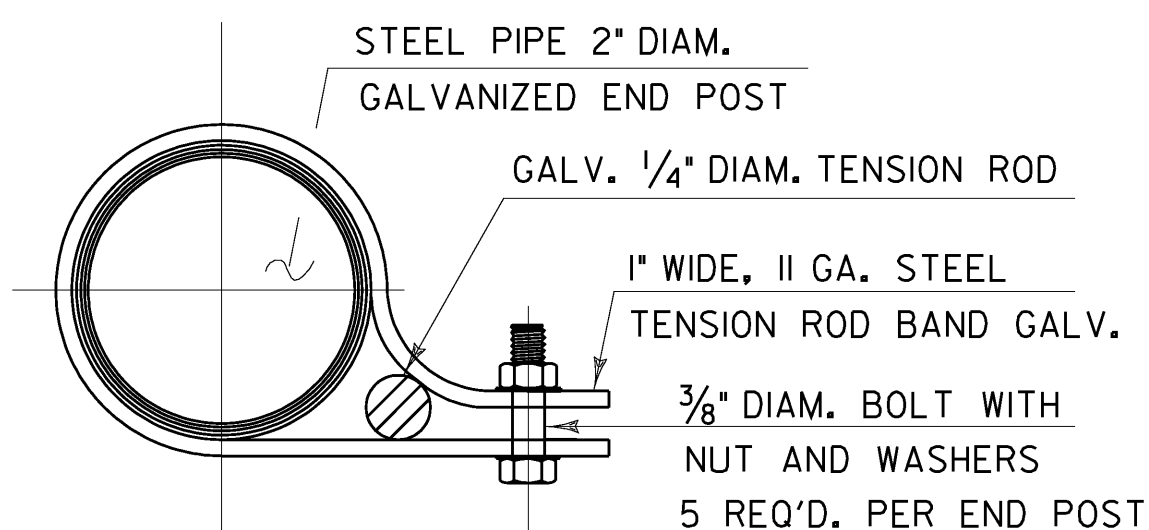
TYPICAL SECTION

NOT TO SCALE
NOTE: FOR DIMENSIONS SEE SHEETS 49 AND 50



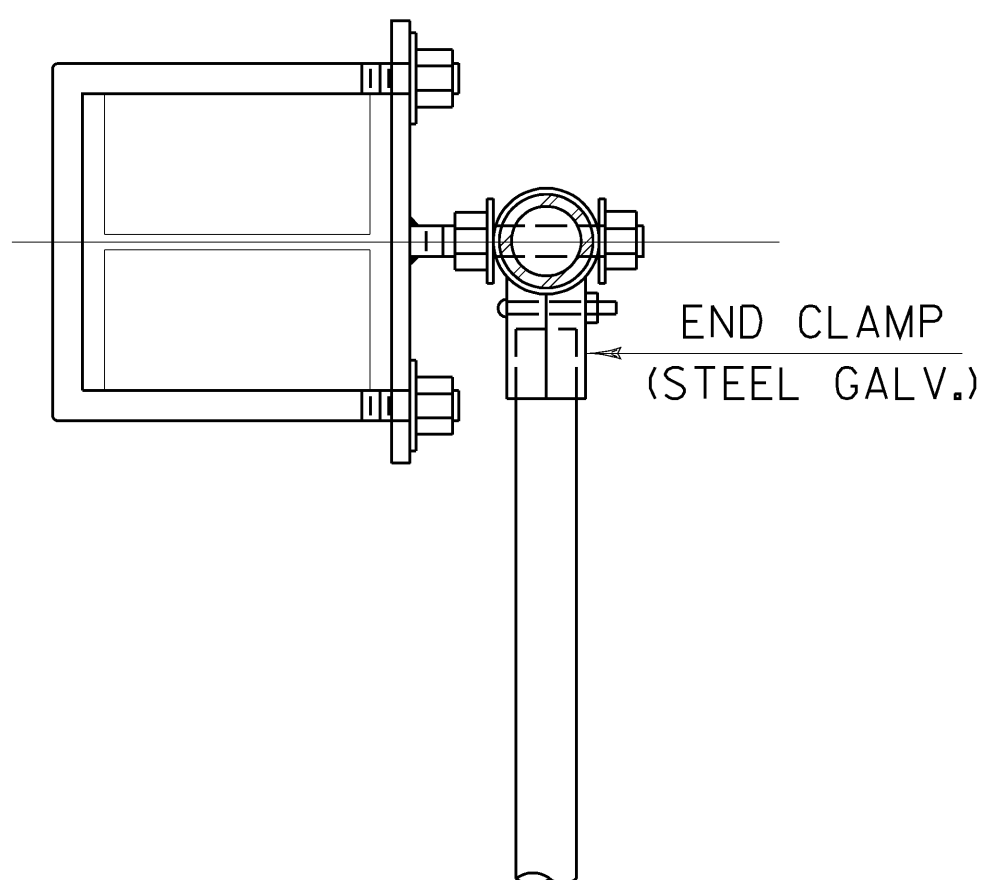
SECTION A-A

NOT TO SCALE



TENSION ROD BAND

NOT TO SCALE



PLAN VIEW AT END POST

NOT TO SCALE

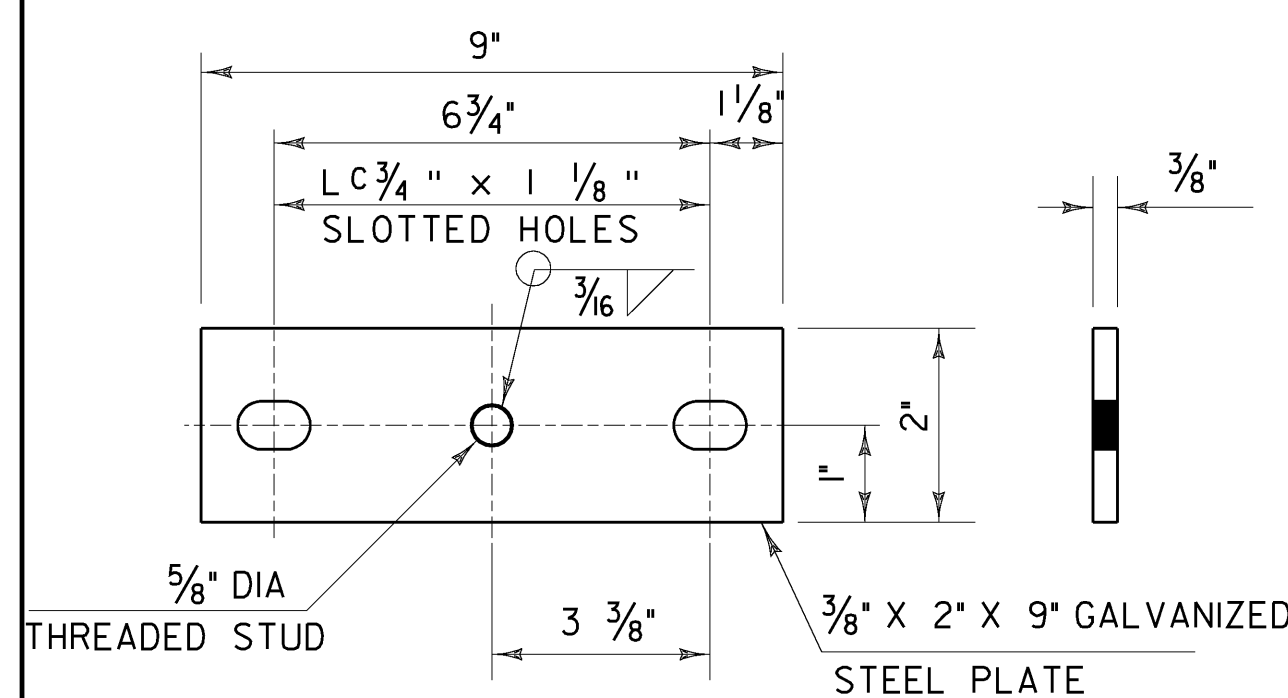
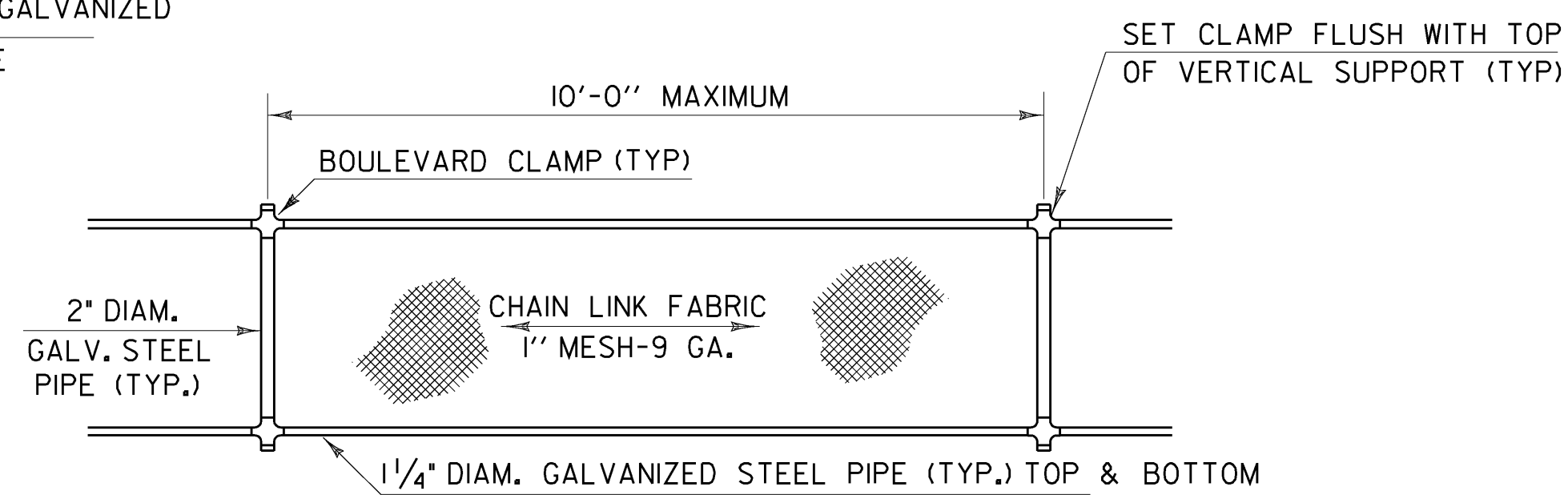


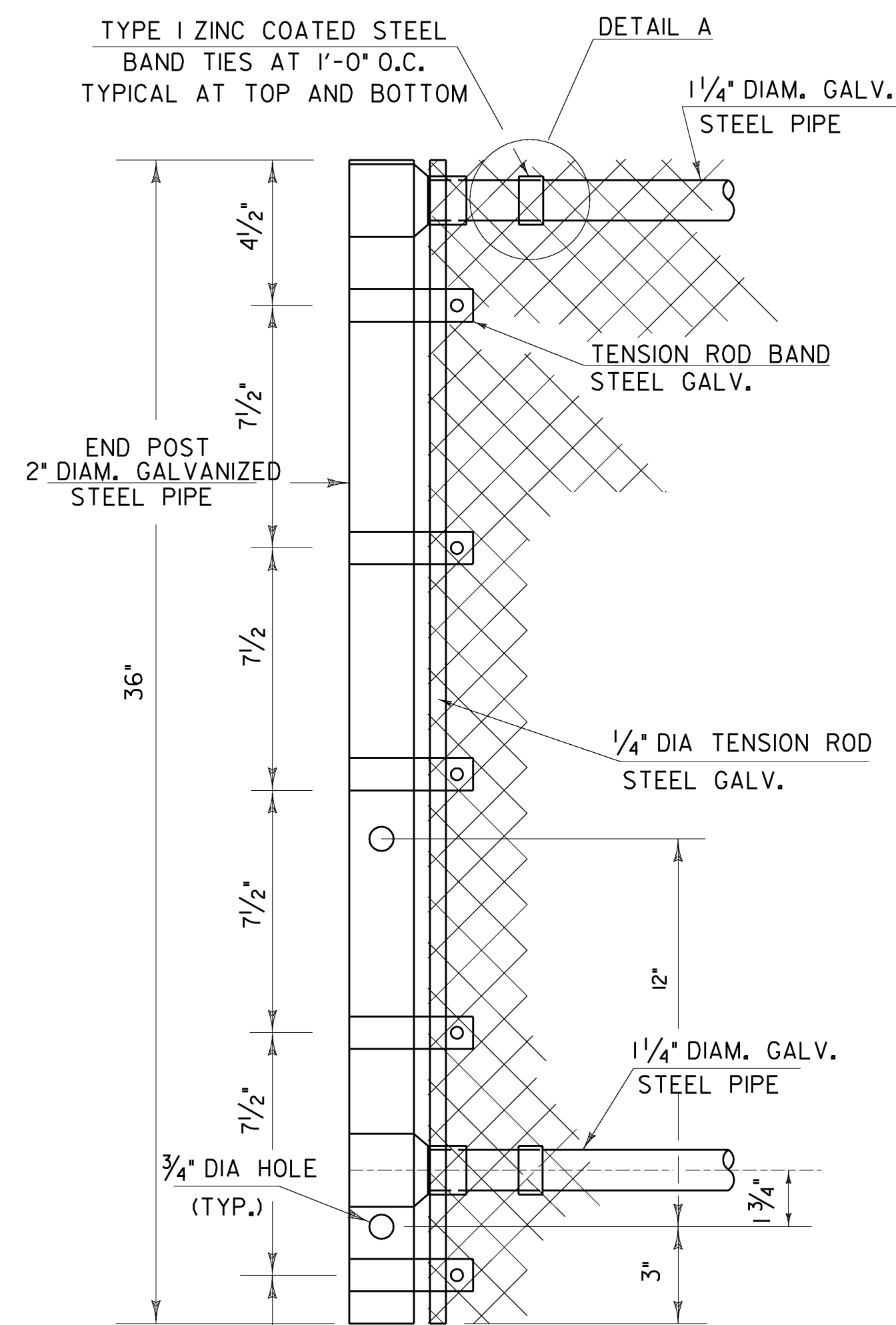
PLATE DETAILS

NOT TO SCALE



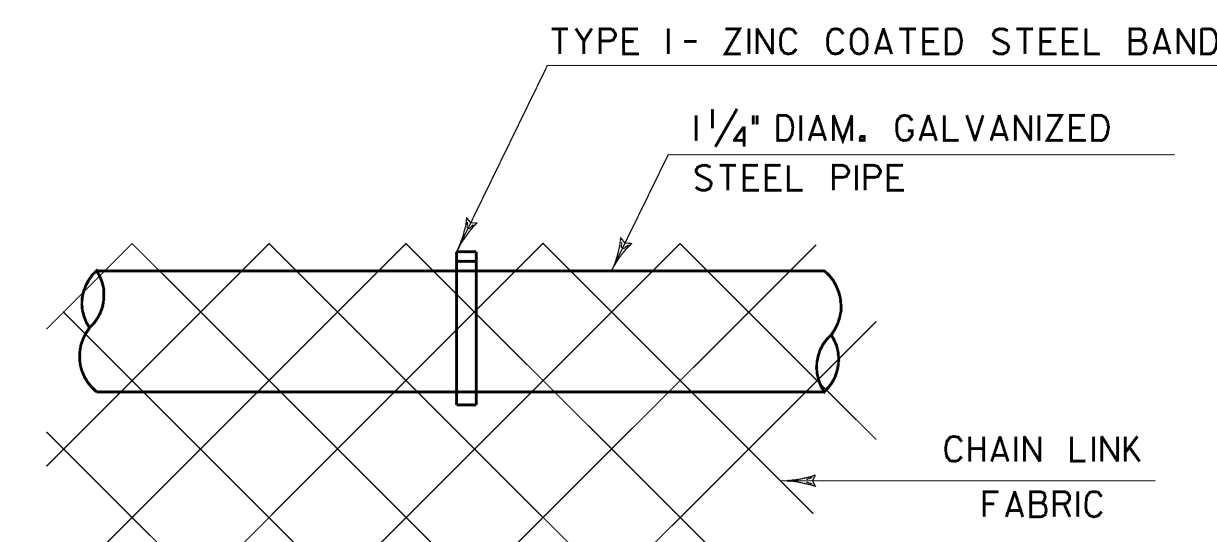
ELEVATION SNOW BARRIER

NOT TO SCALE



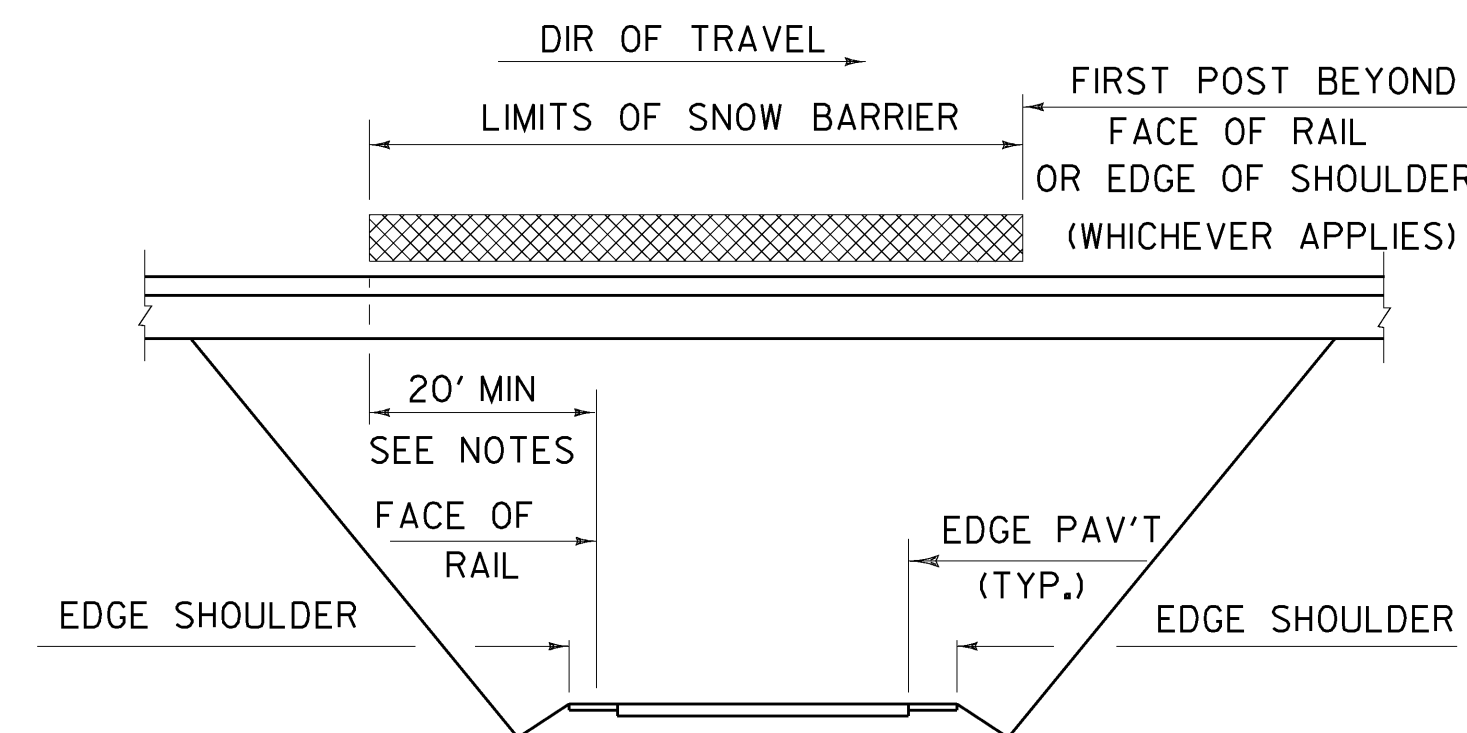
END POST DETAILS

NOT TO SCALE



DETAIL A

NOT TO SCALE



SCHEMATIC SNOW BARRIER LIMITS

NOT TO SCALE

NOTES

1. THREADS OF STUDS AND U-BOLTS TO BE 5/8-11 UNC.
2. ALL CONNECTION PLATES TO BE GALVANIZED AFTER FABRICATION.
3. 1 1/4" PIPE LENGTH SHALL BE FIELD CUT TO FIT POST SPACING.
4. CHAIN LINK FABRIC TO BE KNUCKLED TOP AND BOTTOM.
5. ALL BOLTS, THREADED STUDS AND WASHERS SHALL CONFORM TO THE SPECIFICATIONS FOR AASHTO M-164, TYPE 1. NUTS SHALL CONFORM TO AASHTO M-291.
6. ALL STEEL PLATES SHALL CONFORM TO THE SPECIFICATION FOR AASHTO M 270M/M 270 GRADE 36.
7. ALL GALVANIZING SHALL CONFORM TO THE REQUIREMENTS OF AASHTO M-181 WITH HARDWARE AND FITTINGS CONFORMING TO THE REQUIREMENTS OF AASHTO M 111M/M 111 OR AASHTO M 232M/M 232 WHICHEVER IS APPLICABLE. ALL BOLTS, NUTS AND WASHERS SHALL BE EITHER HOT-DIP GALVANIZED IN ACCORDANCE WITH THE ABOVE AASHTO REQUIREMENTS OR MECHANICALLY GALVANIZED USING A MECHANICALLY DEPOSITED PROCESS CONFORMING TO THE REQUIREMENTS OF AASHTO M-298, CLASS 110.
8. GALVANIZED CHAIN-LINK FABRIC SHALL BE TYPE 1 (ZINC) CLASS D AS SPECIFIED IN AASHTO M-181.
9. SNOW BARRIER SHALL BEGIN AT THE BRIDGE RAIL POST WHICH WILL PROVIDE A MINIMUM DISTANCE OF 20' (AS SHOWN) OR AS DIRECTED BY THE ENGINEER.
10. ALL REFERENCES TO THE DIAMETERS OF GALVANIZED STEEL PIPE SHALL REFER TO THE OUTSIDE DIAMETER (O.D.).
11. ALL POSTS, RAILS AND HARDWARE SHALL BE ZINC COATED AND CONFORM TO THE REQUIREMENTS OF AASHTO M-181, GRADE 1 OR GRADE 2.

**STATE OF VERMONT
AGENCY OF TRANSPORTATION**

Town Of	PUTNEY	Bridge No.	19A
Highway No.	U.S. ROUTE 5	Log Sta.	
		Surv. Sta.	
U.S. ROUTE 5 OVER I-91			

SNOW FENCE FOR NETC 2 RAIL

Designed By	VTRANS	Drawn By	VTRANS
Checked By	T. KNIGHT	Date	06/09
		Bridge Design Supervisor	C. BOGUE
		Date	06/09

PROJECT	PUTNEY	PROJECT NO.	IM 091-(131)
---------	--------	-------------	--------------

CAD Drawing Name:	...52 z93a48brd14.plt	Date:	10/19/2009
Bridge Sheet No.		Sheet	52 of 75

