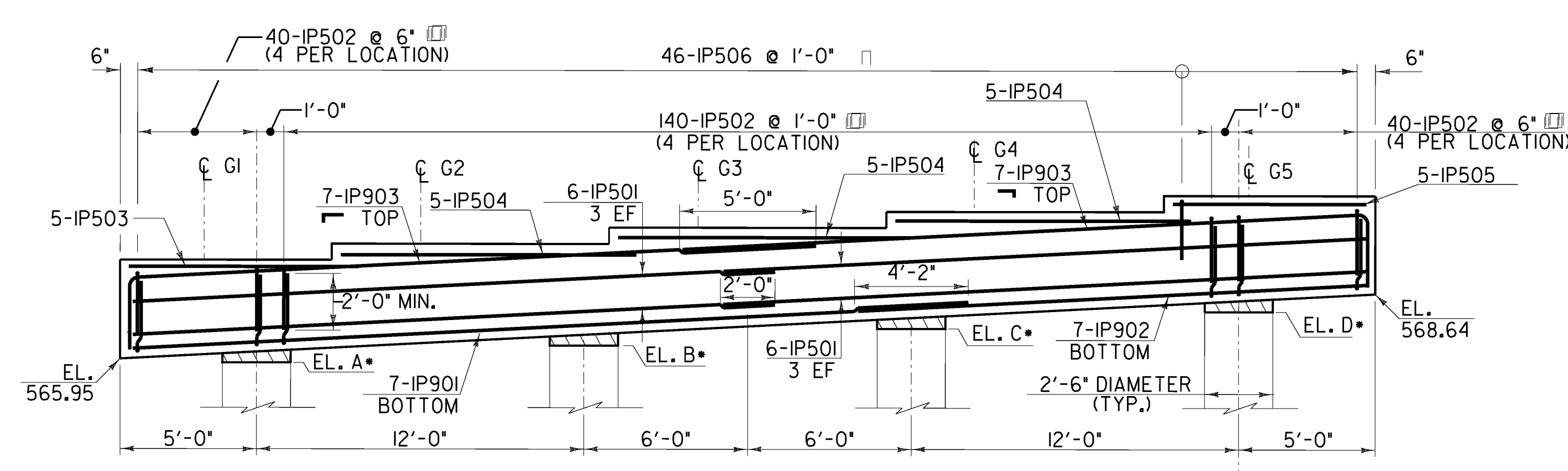


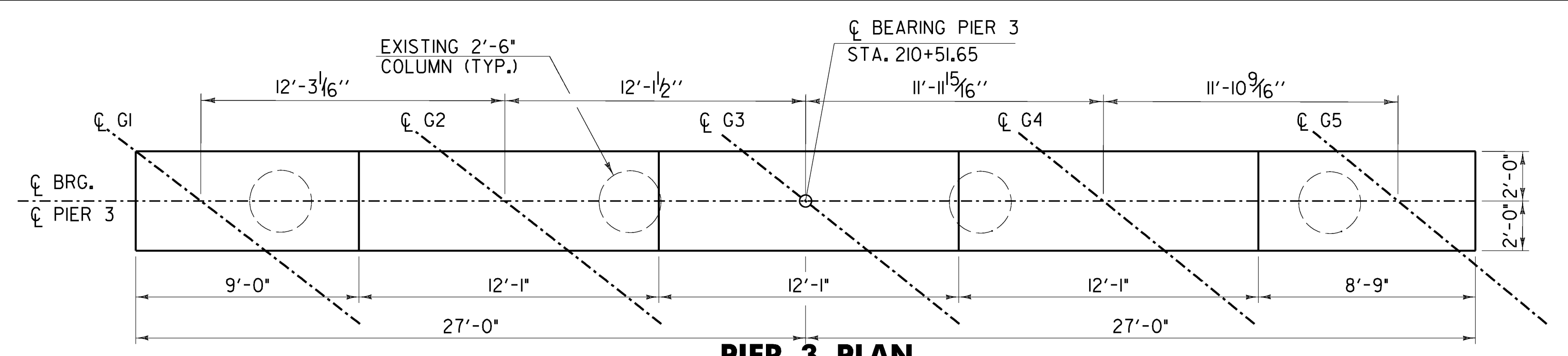
PIER 1 PLAN



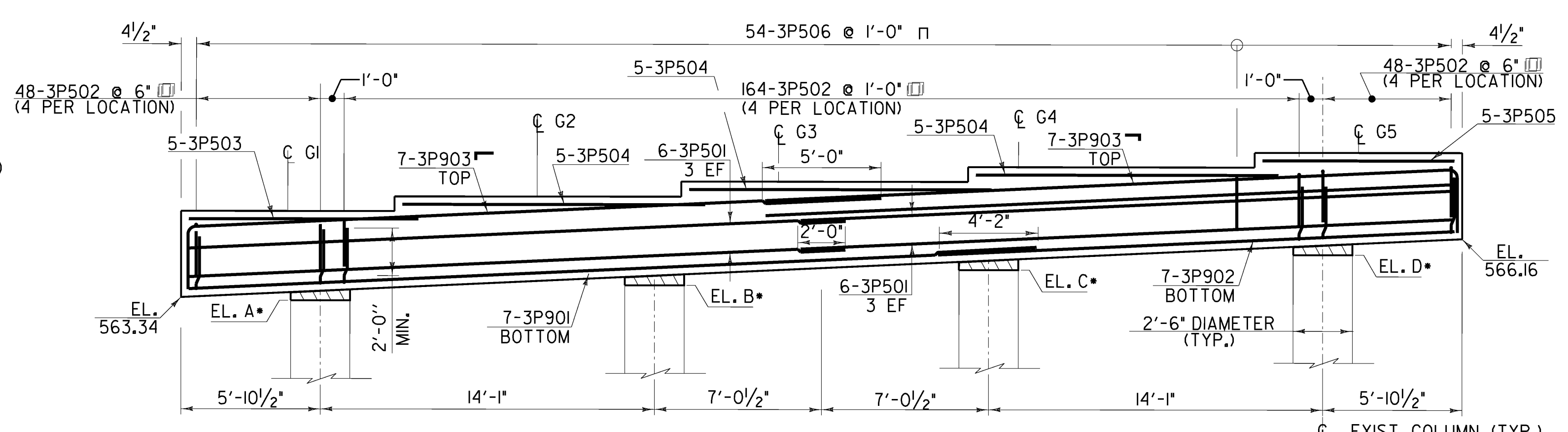
PIER 1 ELEVATION

* LIMITS OF REMOVAL OF EXISTING PIER CAP AND COLUMNS SEE TABLE 2

SCALE 1/4" = 1'-0"
1 0 2 4 6



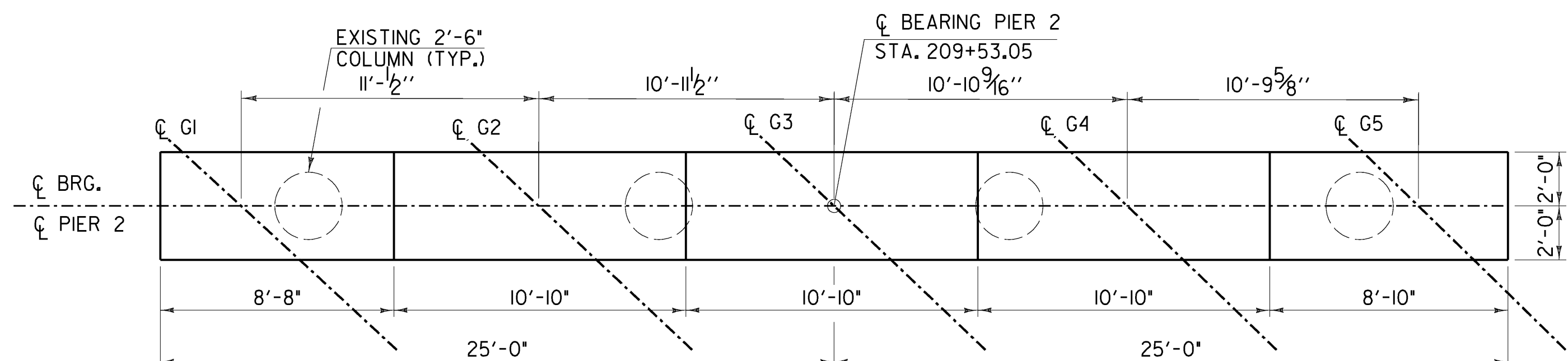
PIER 3 PLAN



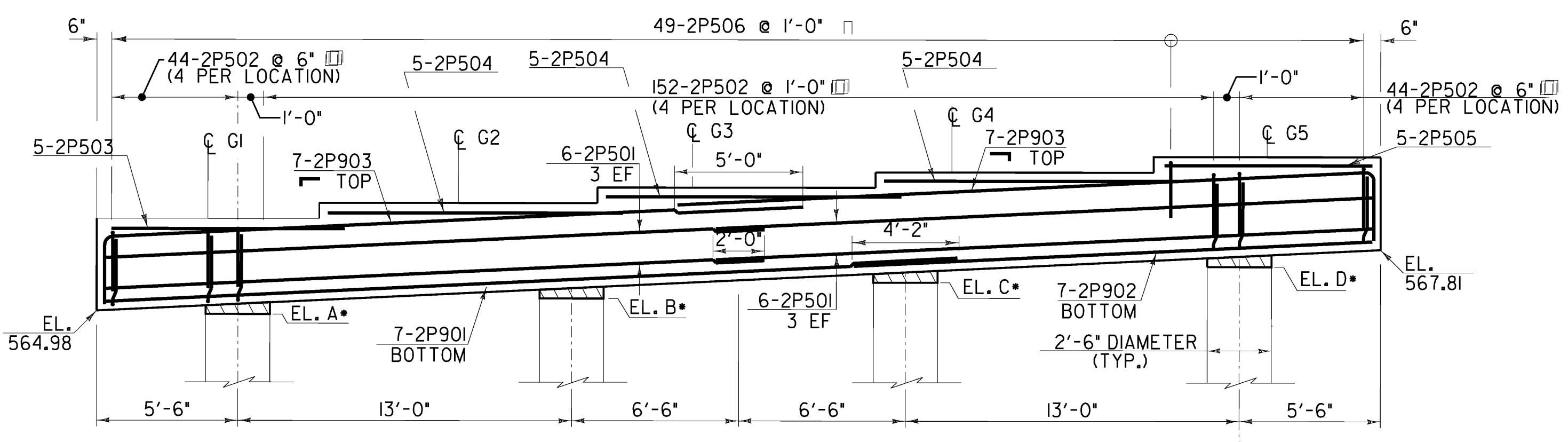
PIER 3 ELEVATION

* LIMITS OF REMOVAL OF EXISTING PIER CAP AND COLUMNS SEE TABLE 2

SCALE 1/4" = 1'-0"
1 0 2 4 6



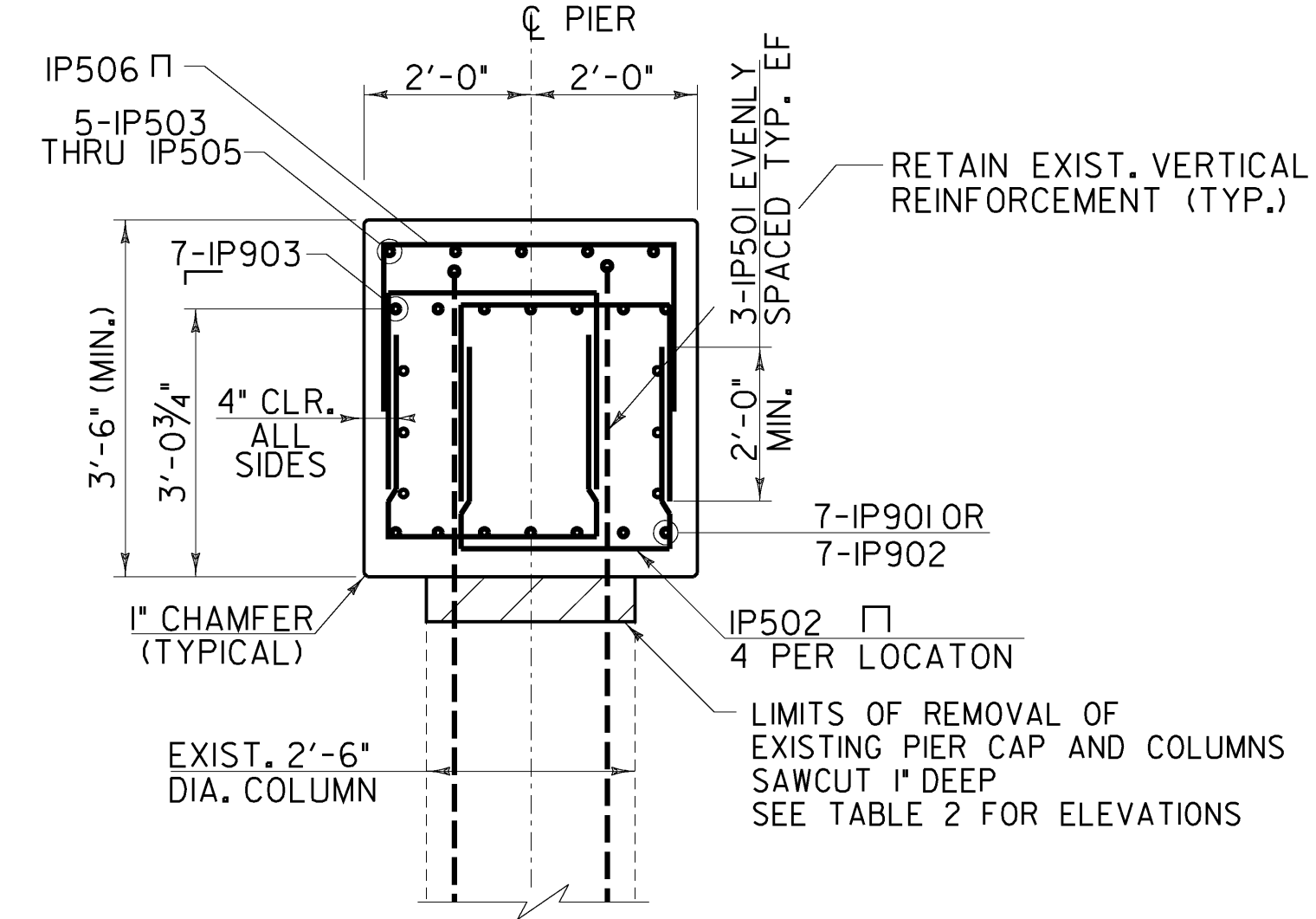
PIER 2 PLAN



PIER 2 ELEVATION

* LIMITS OF REMOVAL OF EXISTING PIER CAP AND COLUMNS SEE TABLE 2

SCALE 1/4" = 1'-0"
1 0 2 4 6



PIER CAP TYPICAL SECTION

SCALE 1/2" = 1'-0"
1 0 1 2

NOTE: PIER CAP 1 SHOWN, PIER CAPS 2 & 3 SIMILAR EXCEPT PREFIX.

GIRDER NO.	ABUT #1	PIER #1	PIER #2	PIER #3	ABUT #2
1	570.76	569.91	568.98	567.31	565.93
2	571.35	570.50	569.59	567.94	566.67
3	571.93	571.10	570.20	568.57	567.39
4	572.52	571.69	570.81	569.20	568.09
5	573.10	572.28	571.41	569.82	568.78

EL.	PIER #1	PIER #2	PIER #3
A	565.9	564.9	563.3
B	566.6	565.6	564.0
C	567.3	566.4	564.7
D	568.0	567.1	565.5

STATE OF VERMONT AGENCY OF TRANSPORTATION

Town Of **PUTNEY** Bridge No. **19A**
 Highway No. **U.S. ROUTE 5** Log Sta. _____
 Surv. Sta. _____
U.S. ROUTE 5 OVER I-91

Designed By G. BOGUE	Drawn By T. KNIGHT
Checked By G. BOGUE Date 06/09	Bridge Design Supervisor G. BOGUE Date 06/09
PROJECT PUTNEY	PROJECT NO. IM 091-(131)
CAD Drawing Name: ...46 z93a148piercap1.dwg	Date: 10/19/2009
Bridge Sheet No. _____	Sheet 46 of 75

