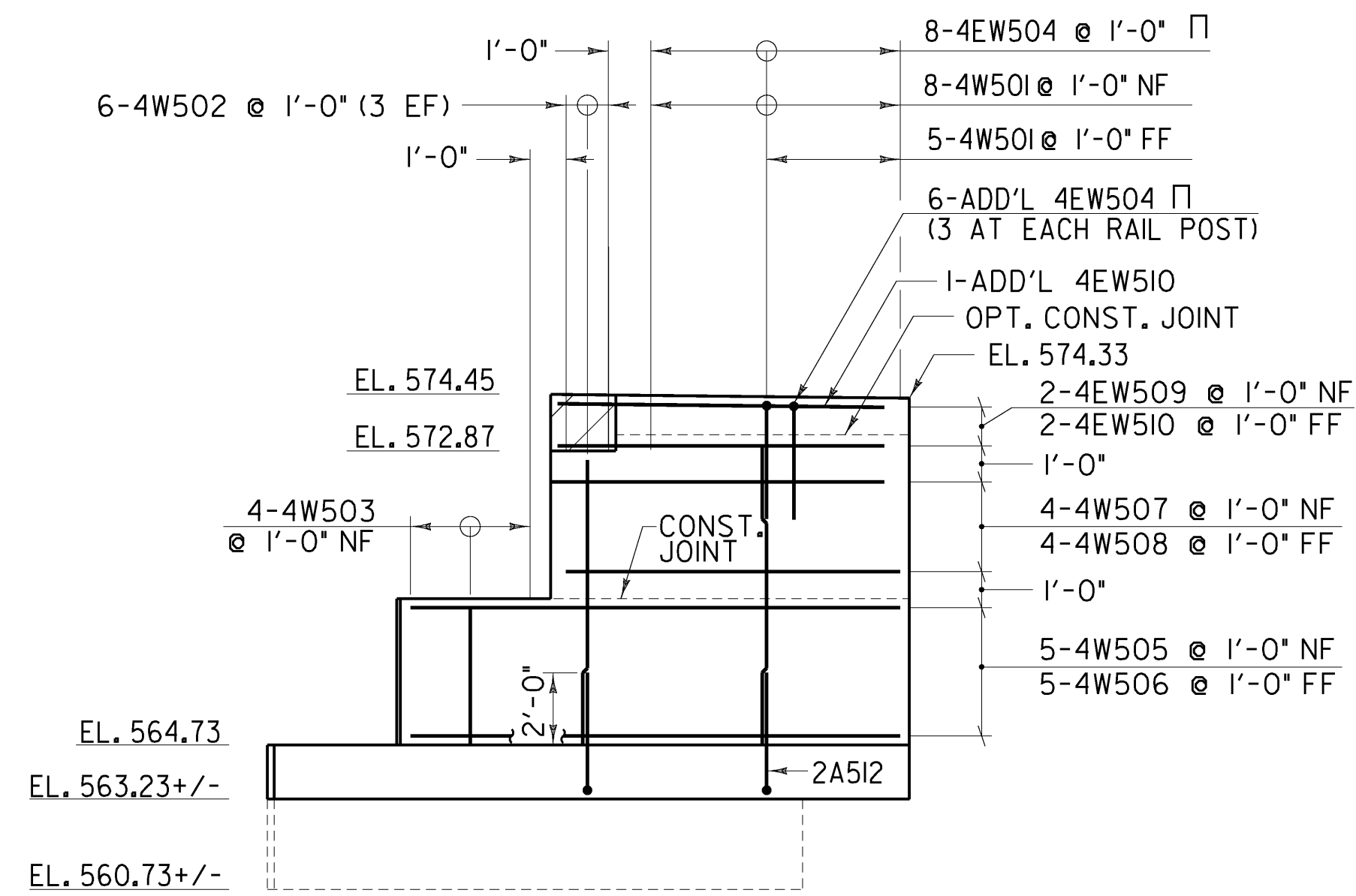


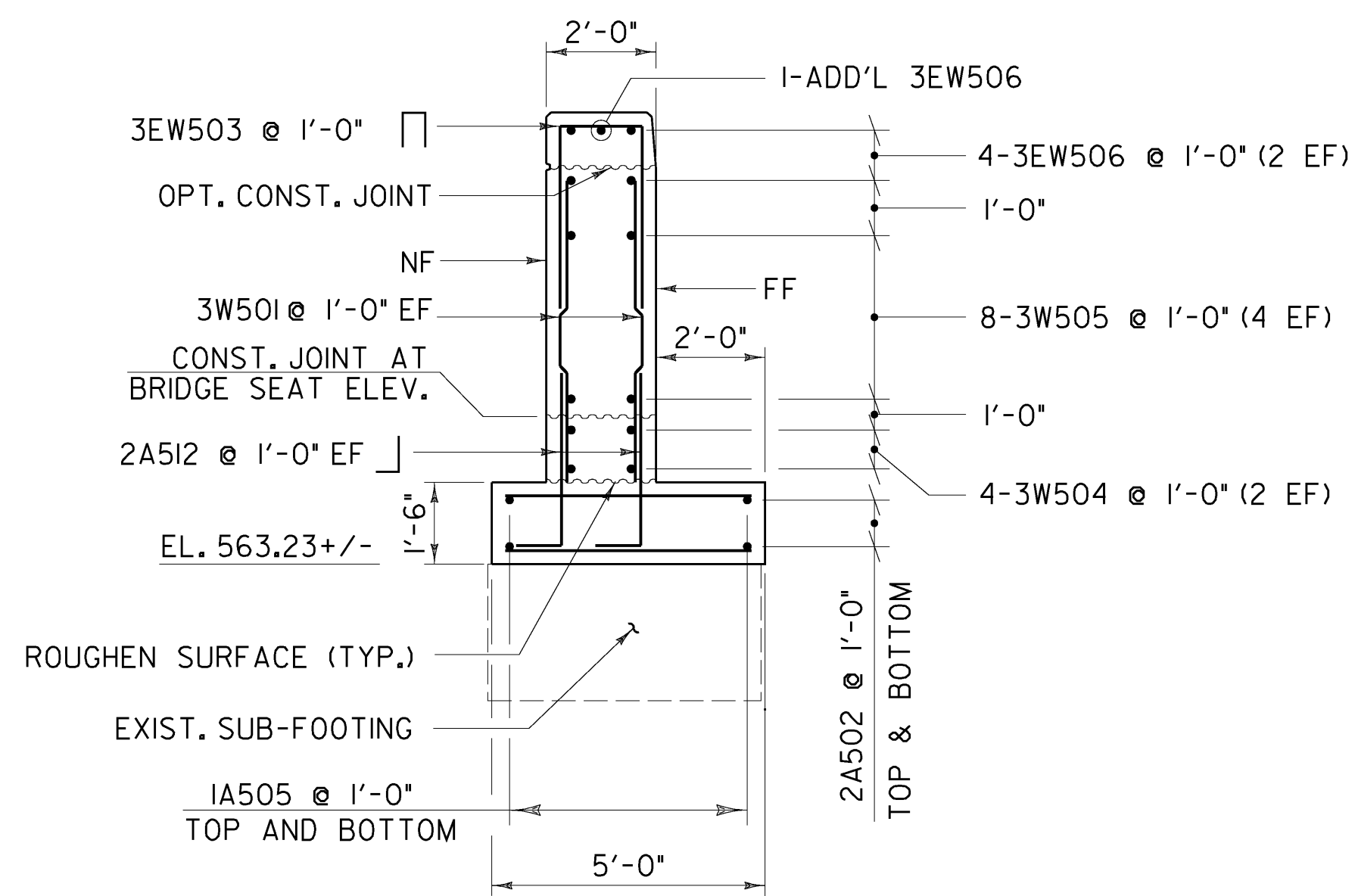
**WINGWALL No. 3 ELEVATION**

SCALE 1/4" = 1'-0"  
0 2 4 6



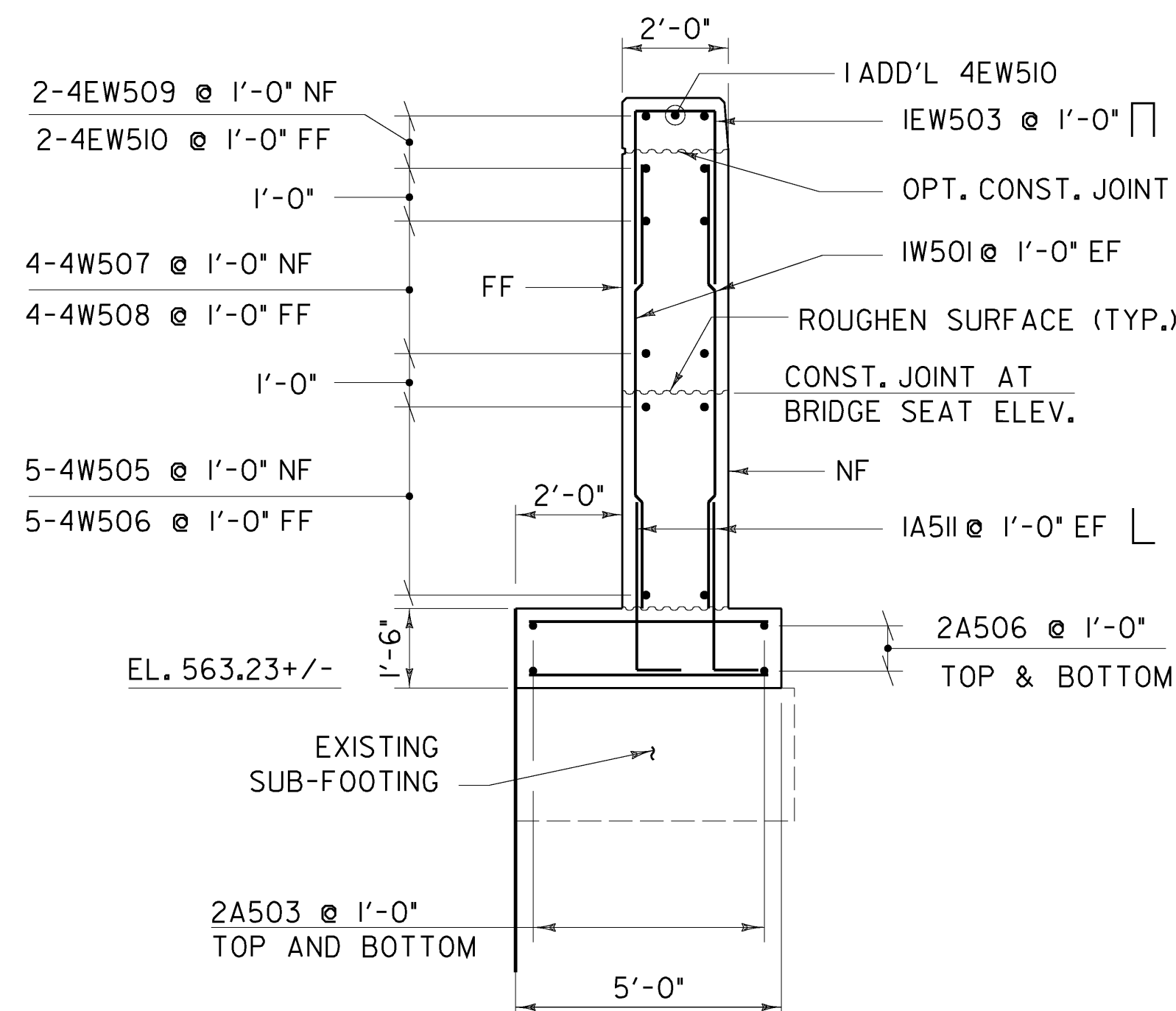
**WINGWALL No. 4 ELEVATION**

SCALE 1/4" = 1'-0"  
0 2 4 6



**WINGWALL No. 3 SECTION**

SCALE 3/8" = 1'-0"  
0 1 2 3 4



**WINGWALL No. 4 SECTION**

SCALE 3/8" = 1'-0"  
0 1 2 3 4

NOTE:  
NF = NEAR FACE  
FF = FAR FACE  
EF = EACH FACE  
▲ = CUT TO FIT IN FIELD  
3" CLR. UNLESS OTHERWISE SPECIFIED ON THE PLANS.



**STATE OF VERMONT  
AGENCY OF TRANSPORTATION**

Town Of	PUTNEY	Bridge No.	19A
Highway No.		Log Sta.	
		Surv. Sta.	

U.S. ROUTE 5 OVER I-91

**ABUTMENT 2 WINGWALL DETAILS**

Designed By	T. KNIGHT	Drawn By	R. WALKER
Checked By	T. KNIGHT	Date	07/09
		Bridge Design Supervisor	G. BOGUE
		Date	07/09

PROJECT	PUTNEY	PROJECT NO.	IM 091-(31)
---------	--------	-------------	-------------

CAD Drawing Name:	...\\45 z93al48ob+2 wRippt#	Date:	10/19/2009
Bridge Sheet No.		Sheet	45 of 75