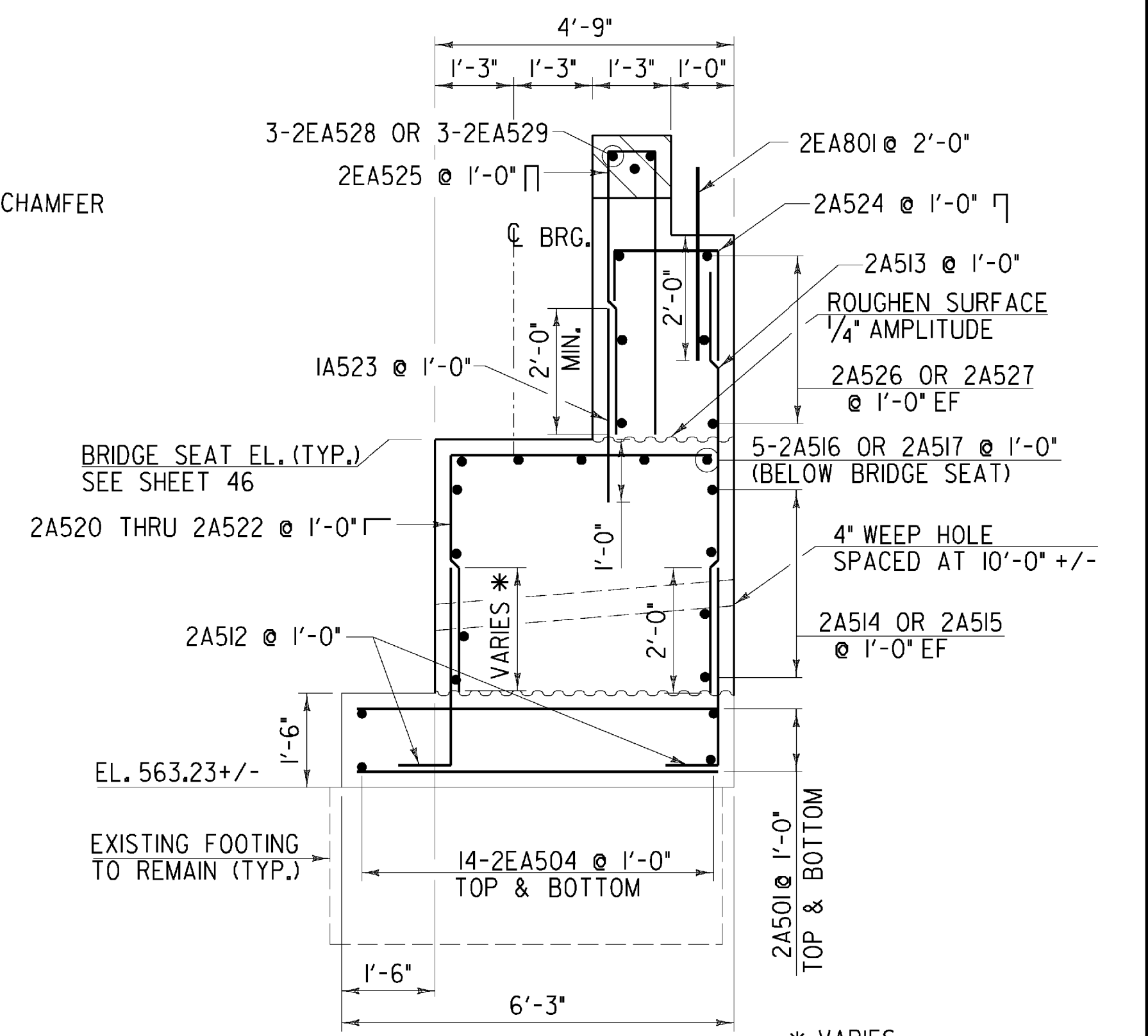


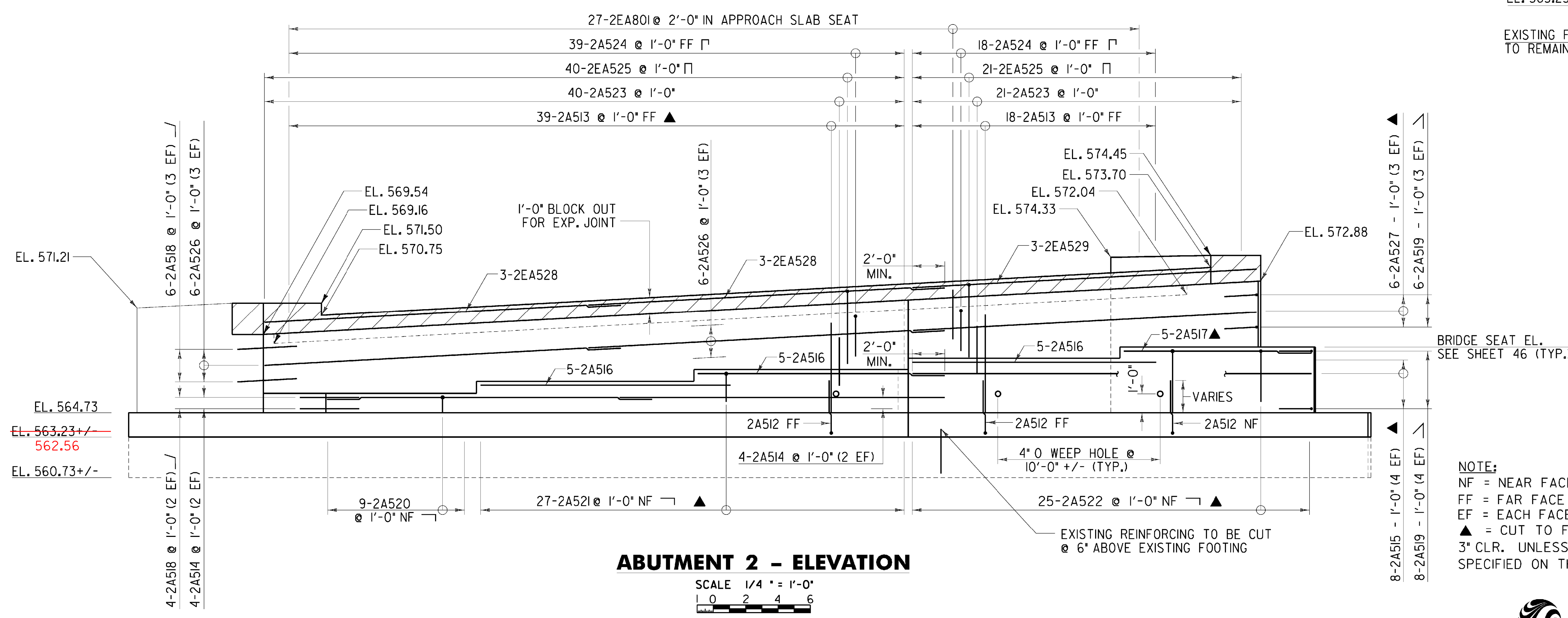
**ABUTMENT 2 - PLAN**

SCALE 1/4" = 1'-0"  
 0 2 4 6



**ABUTMENT 2 TYPICAL SECTION**

SCALE 1/2" = 1'-0"  
 0 1 2



**ABUTMENT 2 - ELEVATION**

SCALE 1/4" = 1'-0"  
 0 2 4 6

**NOTE:**  
 NF = NEAR FACE  
 FF = FAR FACE  
 EF = EACH FACE  
 ▲ = CUT TO FIT IN FIELD  
 3" CLR. UNLESS OTHERWISE SPECIFIED ON THE PLANS.

**STATE OF VERMONT  
 AGENCY OF TRANSPORTATION**

Town Of	PUTNEY	Bridge No.	19A
Highway No.		Log Sta.	
		Surv. Sta.	
U.S. ROUTE 5 OVER I-91			
<b>ABUTMENT 2 PLAN AND ELEVATION</b>			
Designed By	T. KNIGHT	Drawn By	R. WALKER
Checked By	T. KNIGHT	Date	06/09
		Bridge Design Supervisor	G. BOGUE
		Date	06/09
PROJECT	PUTNEY	PROJECT NO.	IM 091-(131)
CAD Drawing Name:	... \Plot Files\43 z93B168c06z10/19/2009		
Bridge Sheet No.		Sheet	43 of 75

