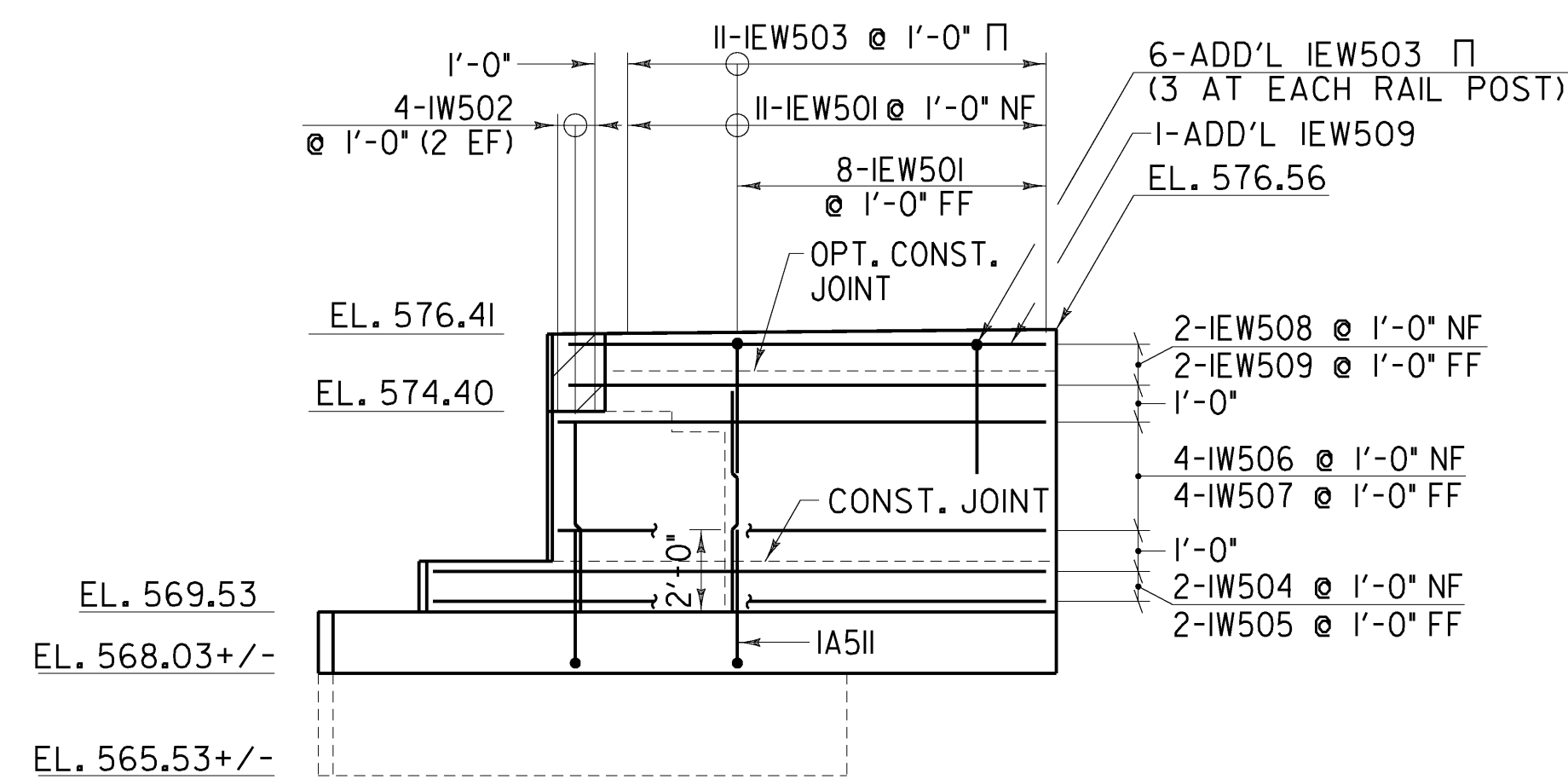


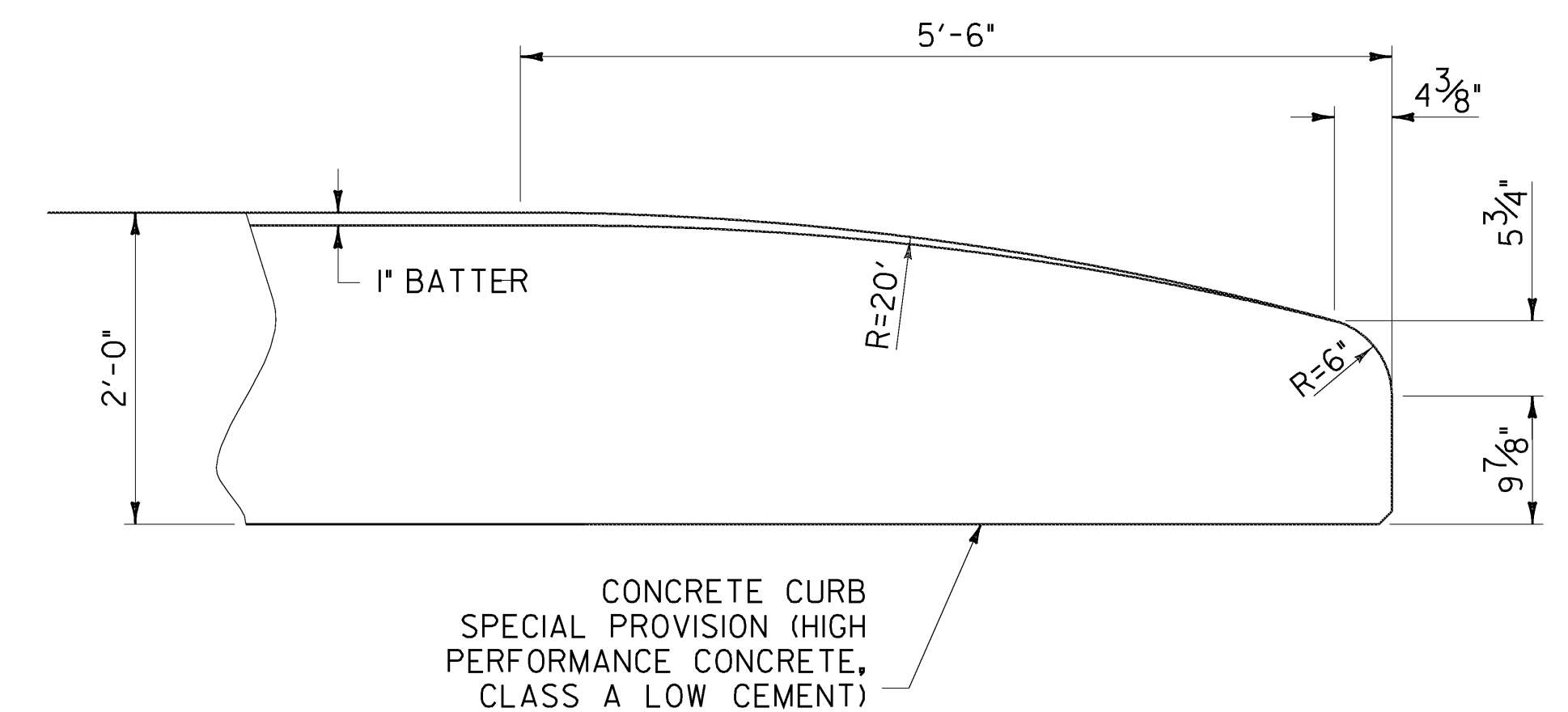
WINGWALL No. 2 ELEVATION

SCALE 1/4" = 1'-0"
1 0 2 4 6



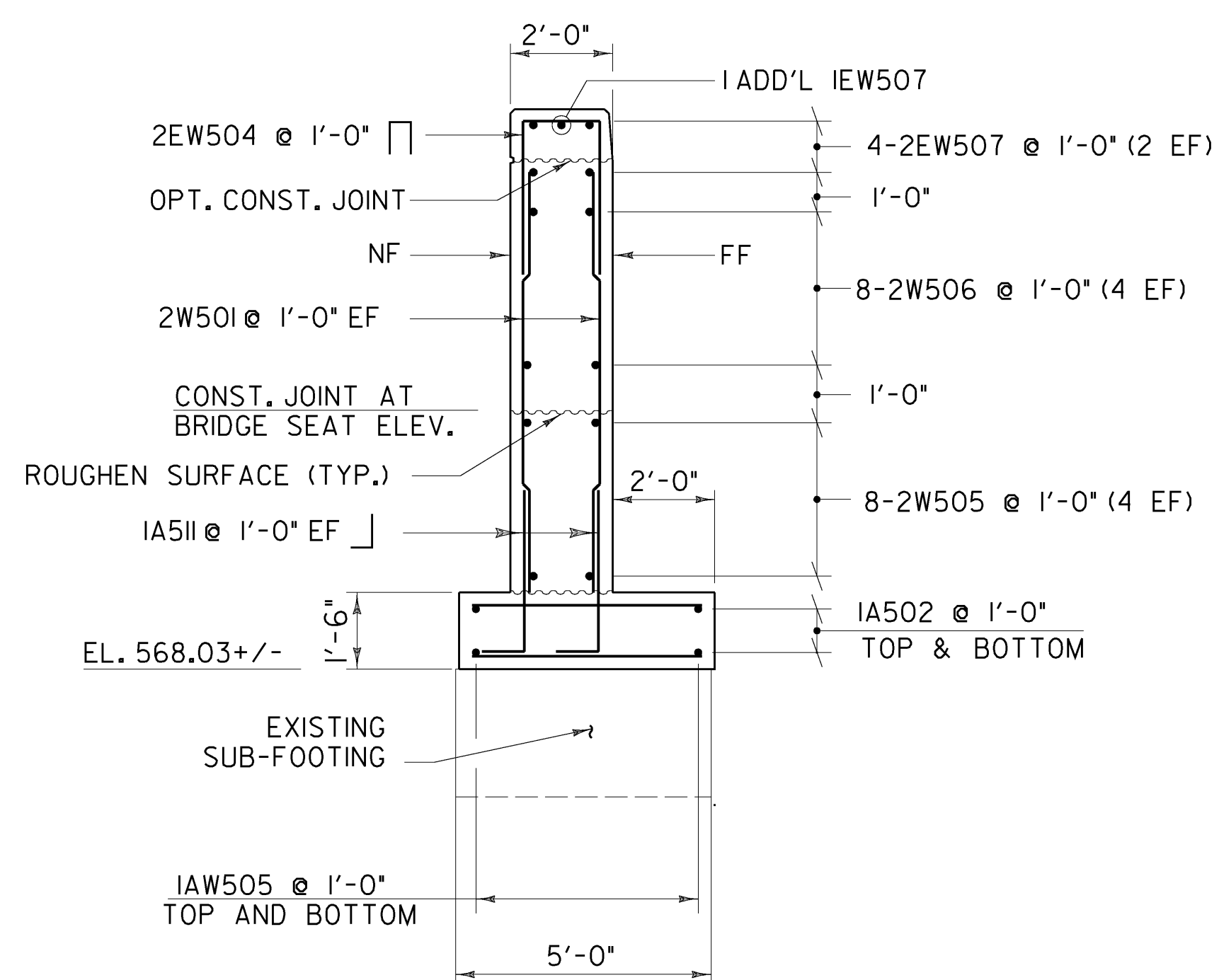
WINGWALL No. 1 ELEVATION

SCALE 1/4" = 1'-0"
1 0 2 4 6



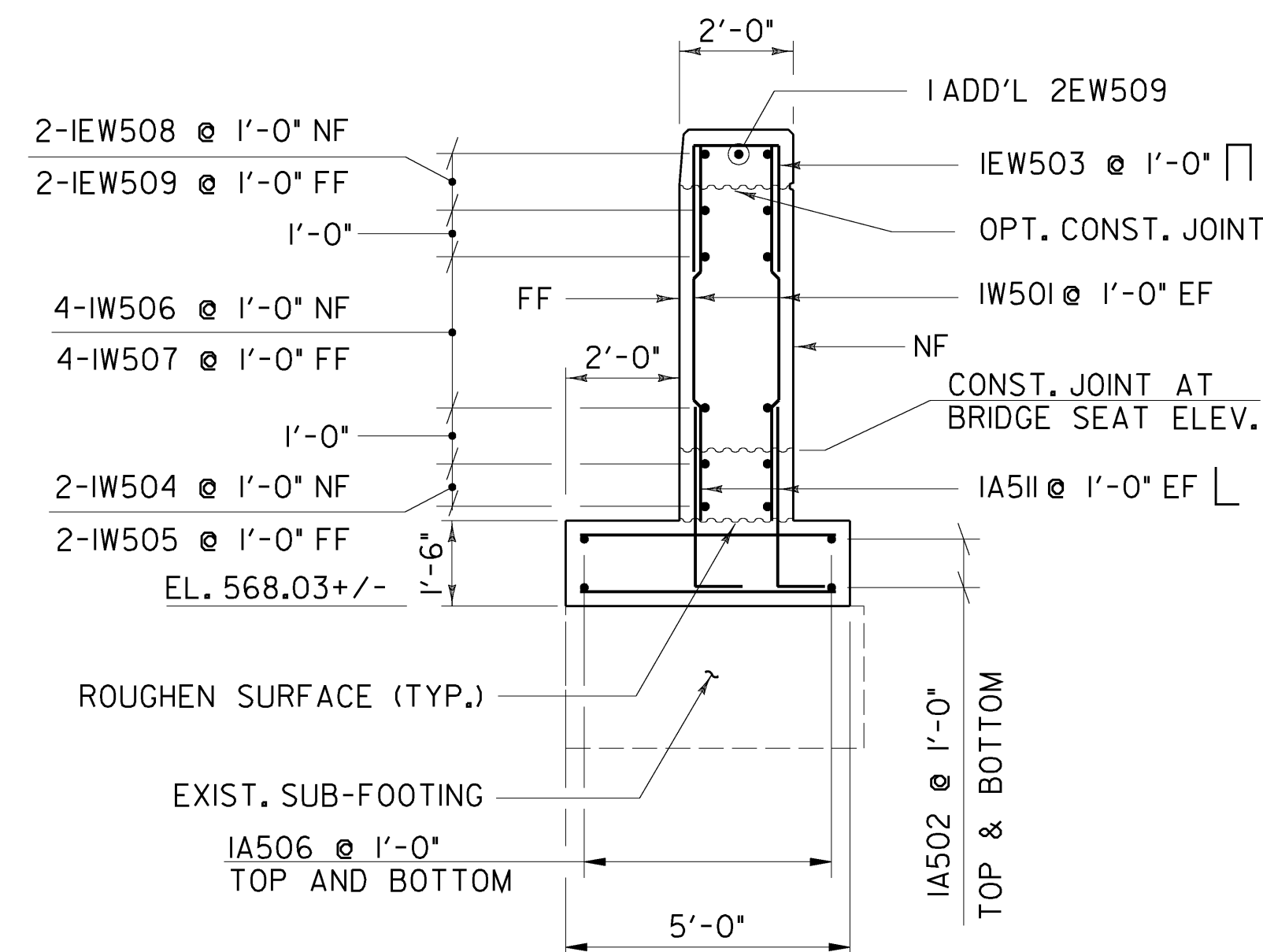
FLARED END FOR WINGWALL CURB

NOT TO SCALE



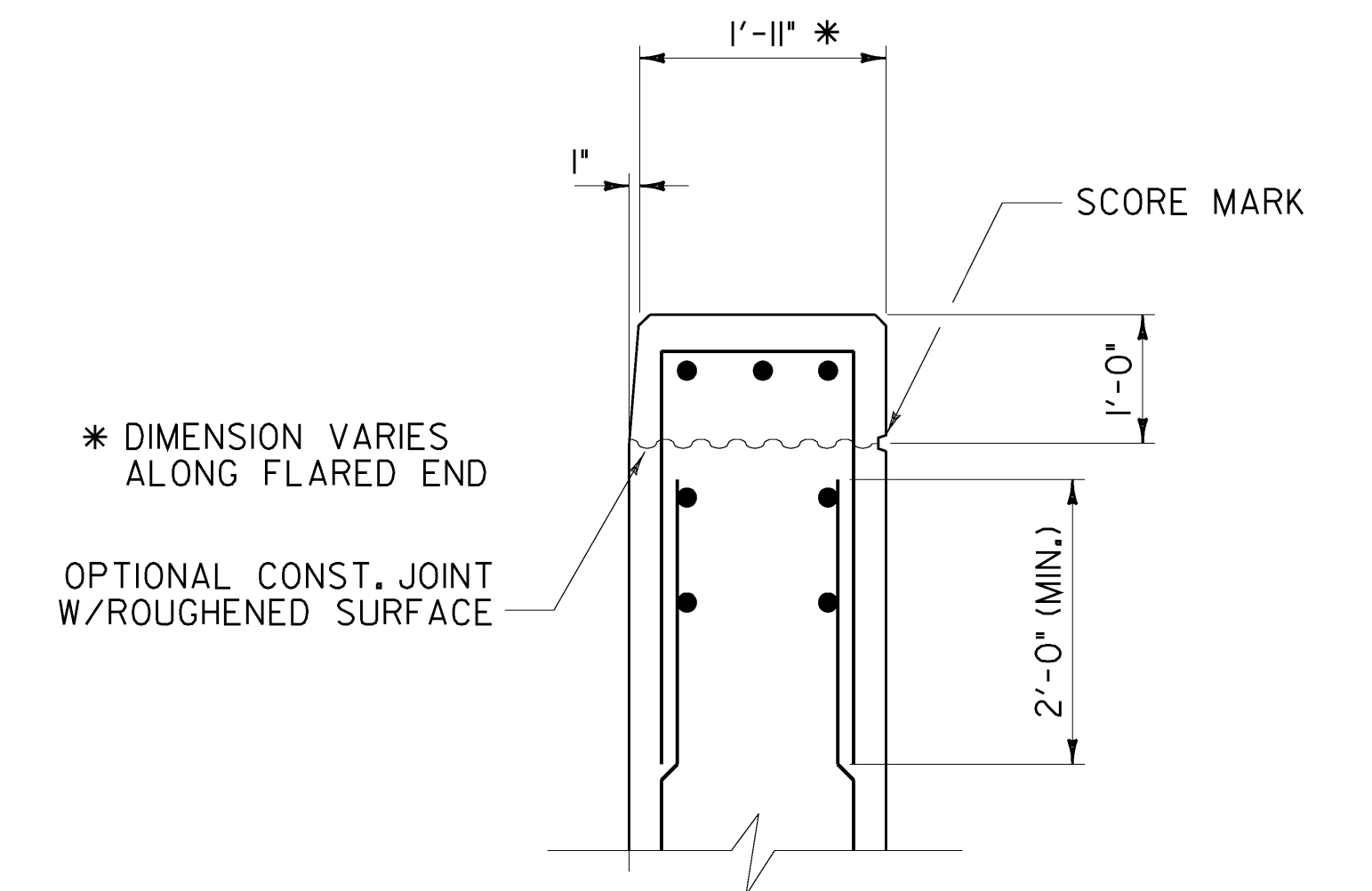
WINGWALL No. 2 SECTION

SCALE 3/8" = 1'-0"
1 0 1 2 3 4



WINGWALL No. 1 SECTION

SCALE 3/8" = 1'-0"
1 0 1 2 3 4



TOP OF WINGWALL DETAIL

N.T.S.

NOTE:

- NF = NEAR FACE
- FF = FAR FACE
- EF = EACH FACE
- ▲ = CUT TO FIT IN FIELD
- 3" CLR. UNLESS OTHERWISE SPECIFIED ON THE PLANS.



STATE OF VERMONT AGENCY OF TRANSPORTATION	
Town Of PUTNEY	Bridge No. 19A
Highway No.	Log Sta. Surv. Sta.
U.S. ROUTE 5 OVER I-91	
ABUTMENT 1 WINGWALL DETAILS	
Designed By T. KNIGHT	Drawn By R. WALKER
Checked By T. KNIGHT	Bridge Design Supervisor G. BOGUE
Date 06/09	Date 06/09
PROJECT PUTNEY	PROJECT NO. IM 091-(131)
CAD Drawing Name: ...42 z93a148bt1ww	Date: 10/19/2009
Bridge Sheet No.	Sheet 42 of 75