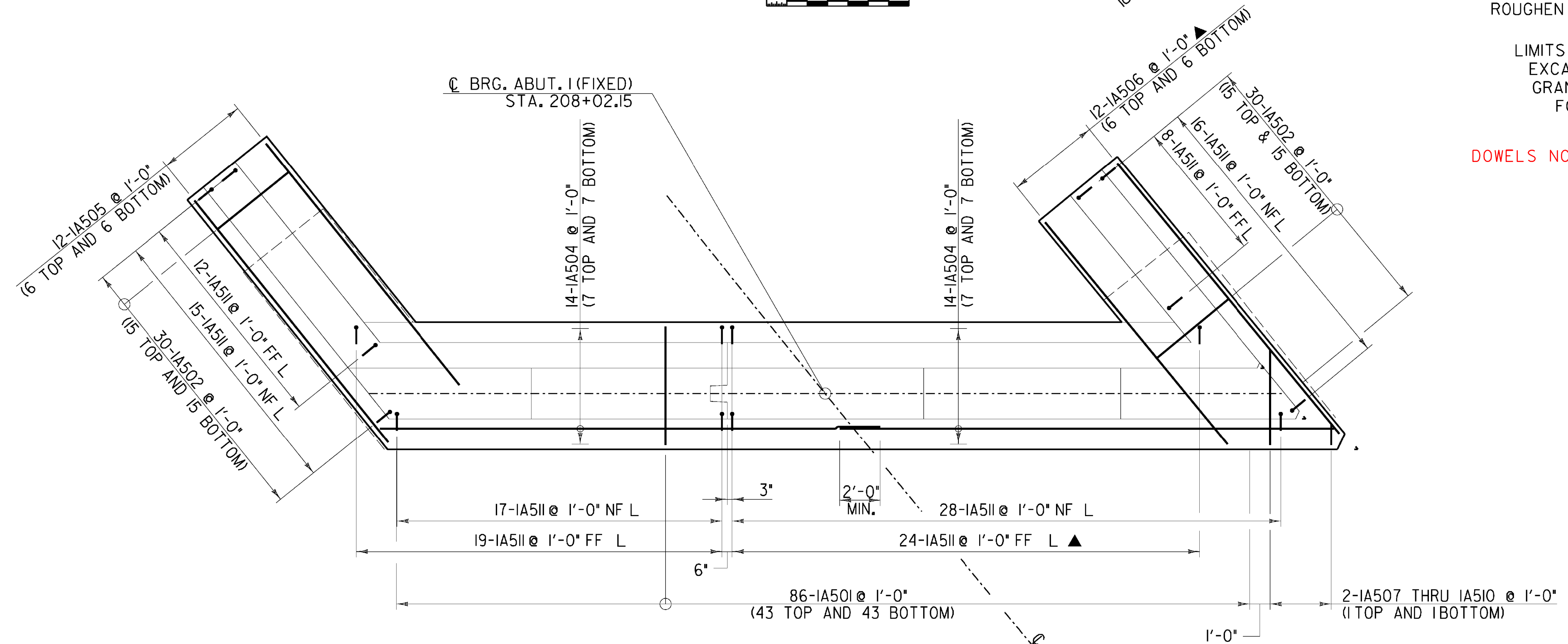


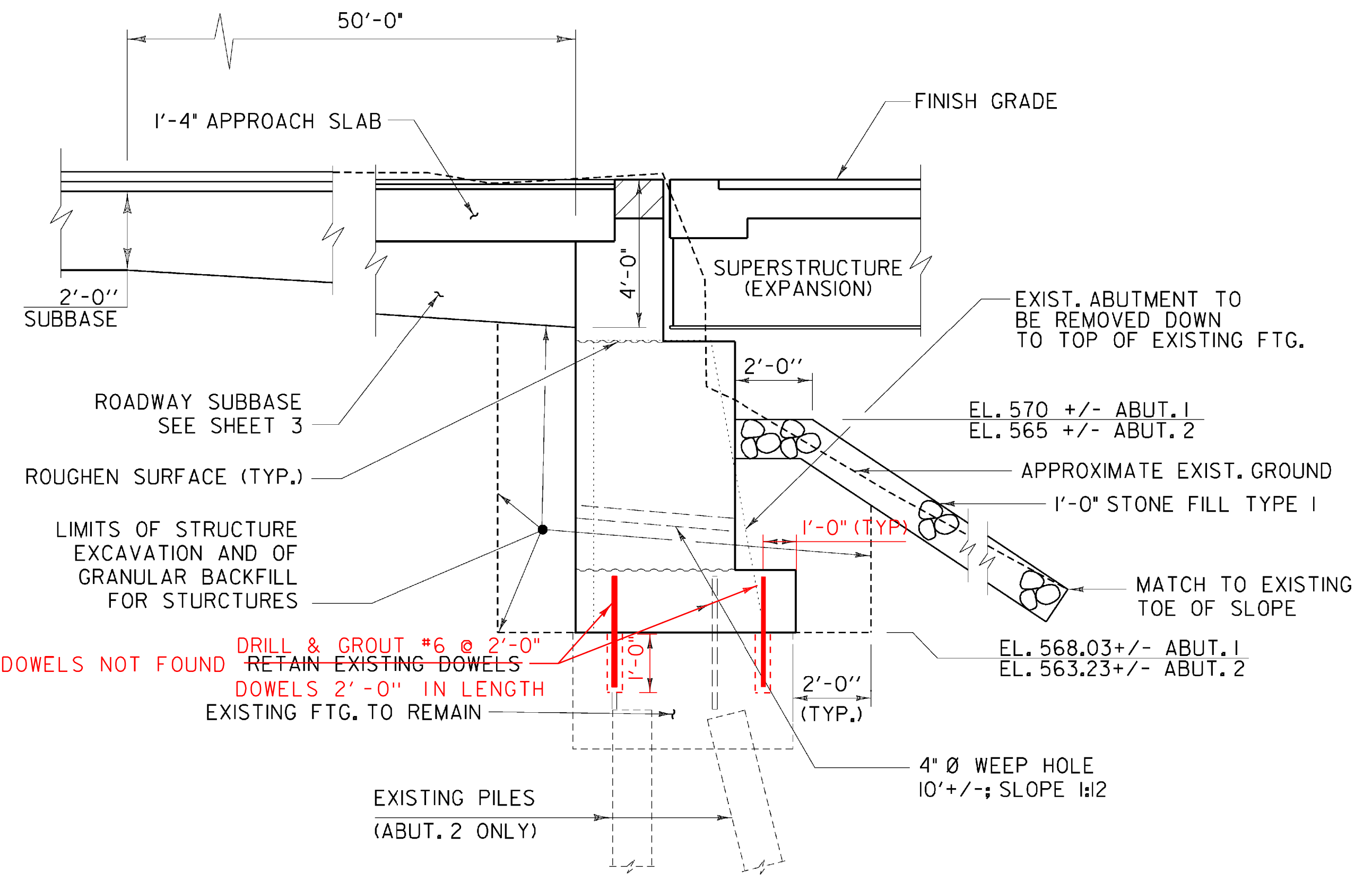
**ABUTMENT 1 - FOOTING PLAN**

SCALE 1/4" = 1'-0"  
 0 2 4 6



**ABUTMENT 1 - FOOTING REINFORCEMENT PLAN**

SCALE 1/4" = 1'-0"  
 0 2 4 6



**TYPICAL ABUTMENT SECTION**

NOT TO SCALE

**NOTE:**  
 NF = NEAR FACE  
 FF = FAR FACE  
 EF = EACH FACE  
 ▲ = CUT TO FIT IN FIELD  
 3" CLR. UNLESS OTHERWISE SPECIFIED ON THE PLANS.



**STATE OF VERMONT  
 AGENCY OF TRANSPORTATION**

Town Of	PUTNEY	Bridge No.	19A
Highway No.		Log Sta.	
		Surv. Sta.	
U.S. ROUTE 5 OVER I-91			
<b>ABUTMENT 1 FOOTING</b>			
Designed By	T. KNIGHT	Drawn By	R. WALKER
Checked By	Date	Bridge Design Supervisor	
T. KNIGHT	06/09	G. BOGUE	Date 06/09
PROJECT	PUTNEY	PROJECT NO.	IM 091-1(31)
CAD Drawing Name:	...\\41z93a148ab+ftgl.plt		
Bridge Sheet No.	Sheet 41 of 75		