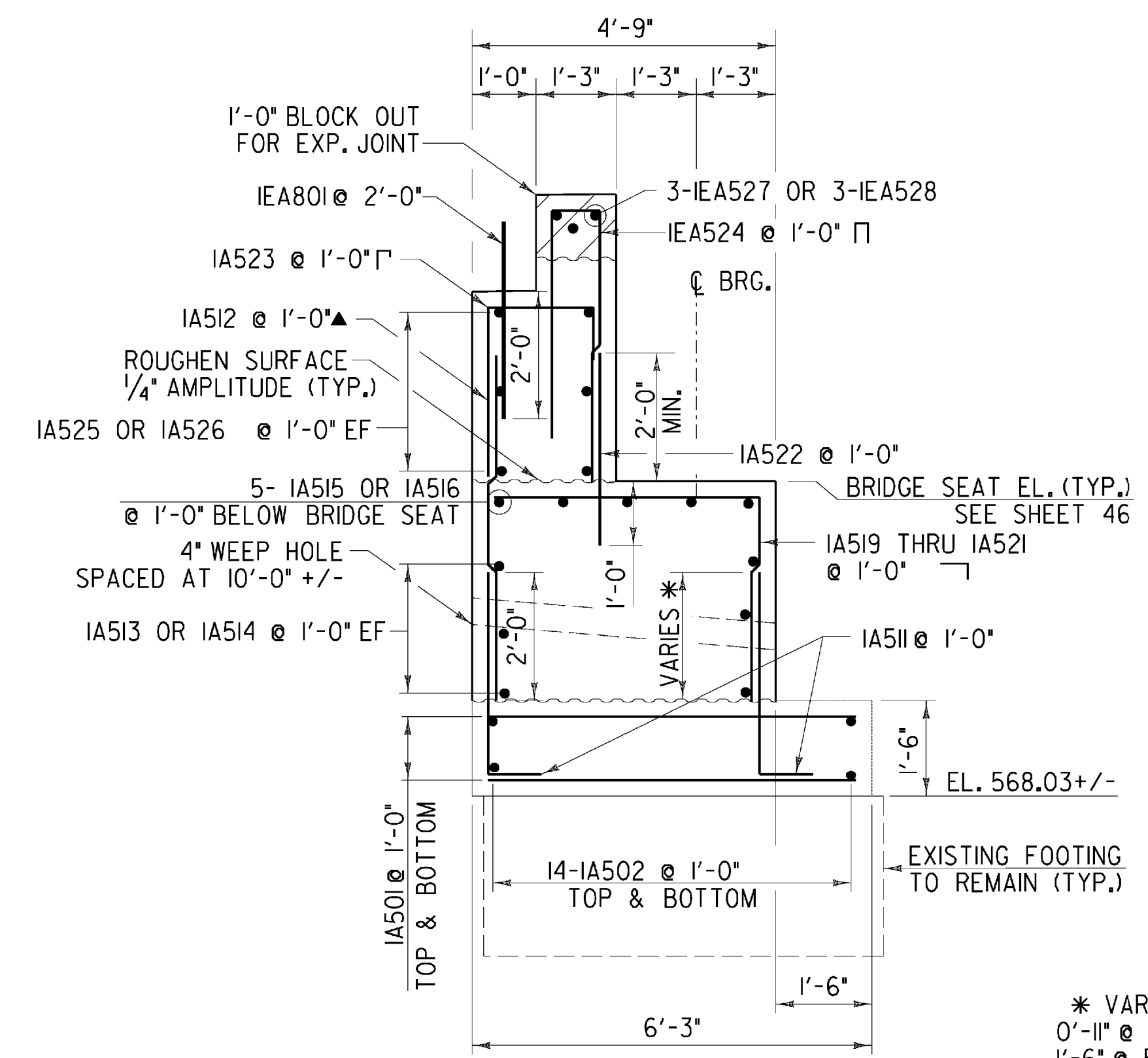


NOTE:
FOR ANCHOR BOLT LAYOUT
REFER TO SHT. 32

ABUTMENT 1 - PLAN

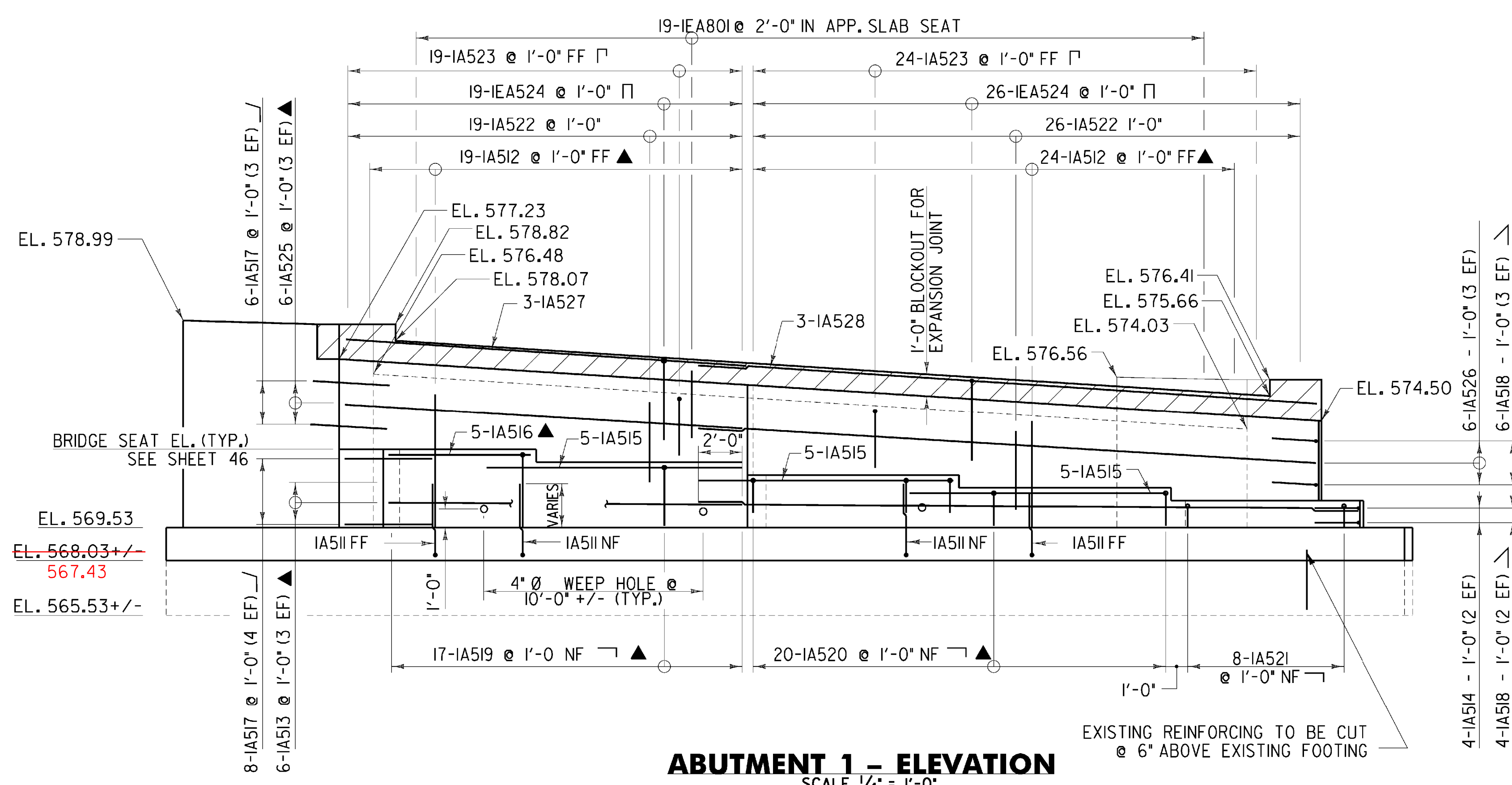
SCALE 1/4" = 1'-0"
0 2 4 6



ABUTMENT 1 TYPICAL SECTION

SCALE 1/2" = 1'-0"
0 1 2

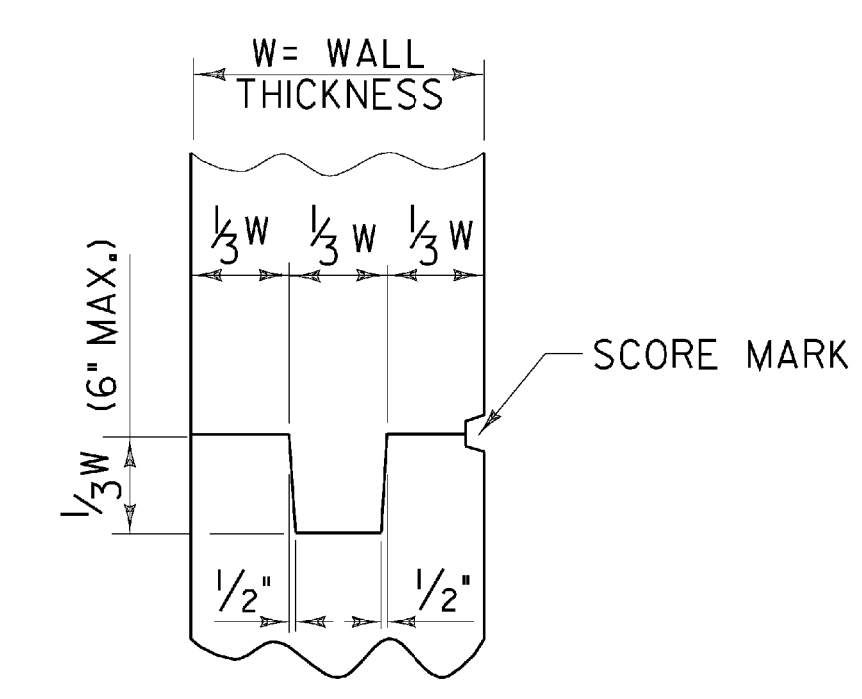
* VARIES
0'-11" @ BRIDGE SEAT 1
1'-6" @ BRIDGE SEAT 2
2'-0" @ BRIDGE SEATS 3 - 5



ABUTMENT 1 - ELEVATION

SCALE 1/4" = 1'-0"
0 2 4 6

EXISTING REINFORCING TO BE CUT
@ 6" ABOVE EXISTING FOOTING



TYPICAL CONCRETE CONSTRUCTION JOINT DETAIL

N.T.S.

NOTE:
NF = NEAR FACE
FF = FAR FACE
EF = EACH FACE
▲ = CUT TO FIT IN FIELD
3" CLR. UNLESS OTHERWISE
SPECIFIED ON THE PLANS.

**STATE OF VERMONT
AGENCY OF TRANSPORTATION**

Town Of	PUTNEY	Bridge No.	19A
Highway No.		Log Sta.	
		Surv. Sta.	
U.S. ROUTE 5 OVER I-91			
ABUTMENT 1 PLAN AND ELEVATION			
Designed By	T. KNIGHT	Drawn By	R. WALKER
Checked By	Date	Bridge Design Supervisor	
T. KNIGHT	06/09	G. BOGUE	Date 06/09
PROJECT	PUTNEY	PROJECT NO.	IM 091-1(31)
CAD Drawing Name:	... \Plot Files\40 29388.dwg 10/19/2009		
Bridge Sheet No.	Sheet 40 of 75		

