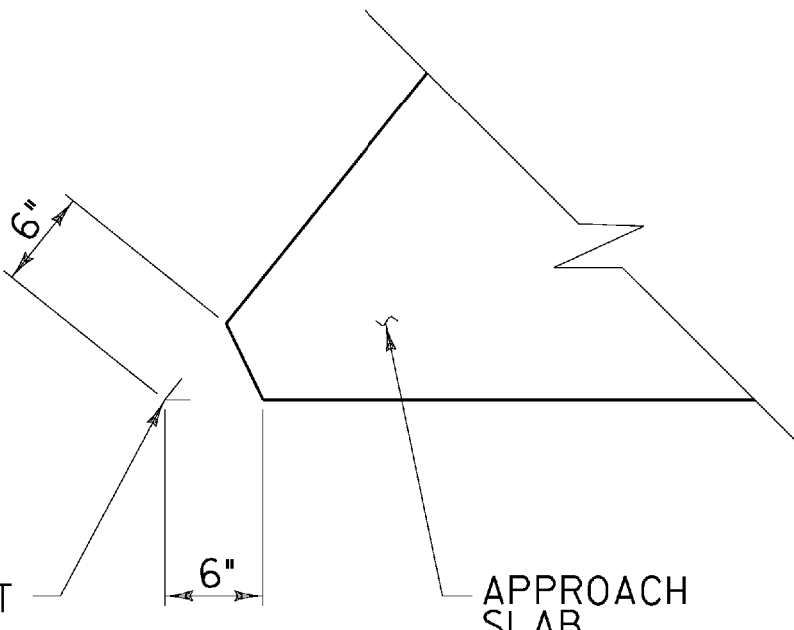


APPROACH SLAB #1

SCALE 1/4" = 1'-0"
 1 0 2 4 6

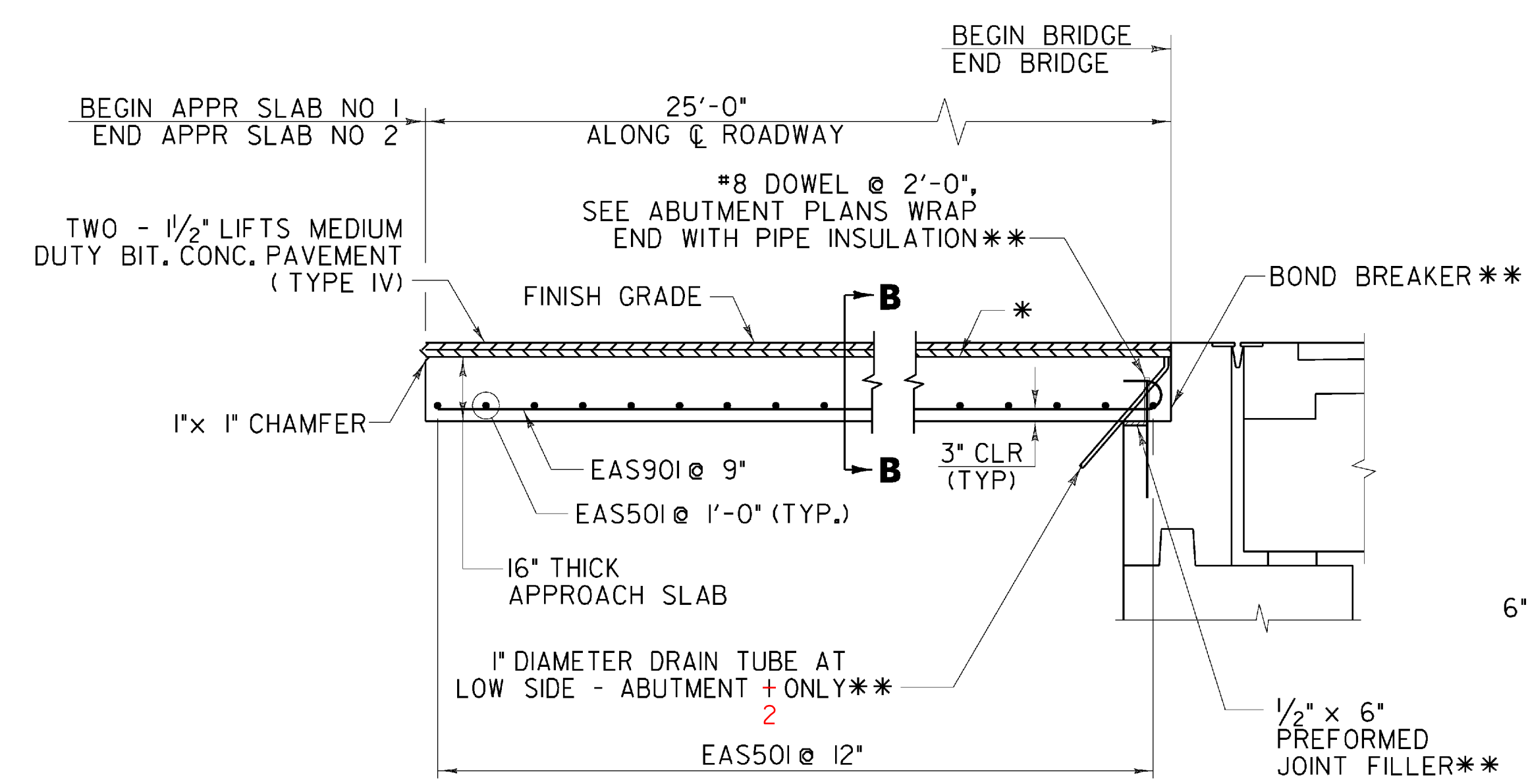
APPROACH SLAB #2

SCALE 1/4" = 1'-0"
 1 0 2 4 6



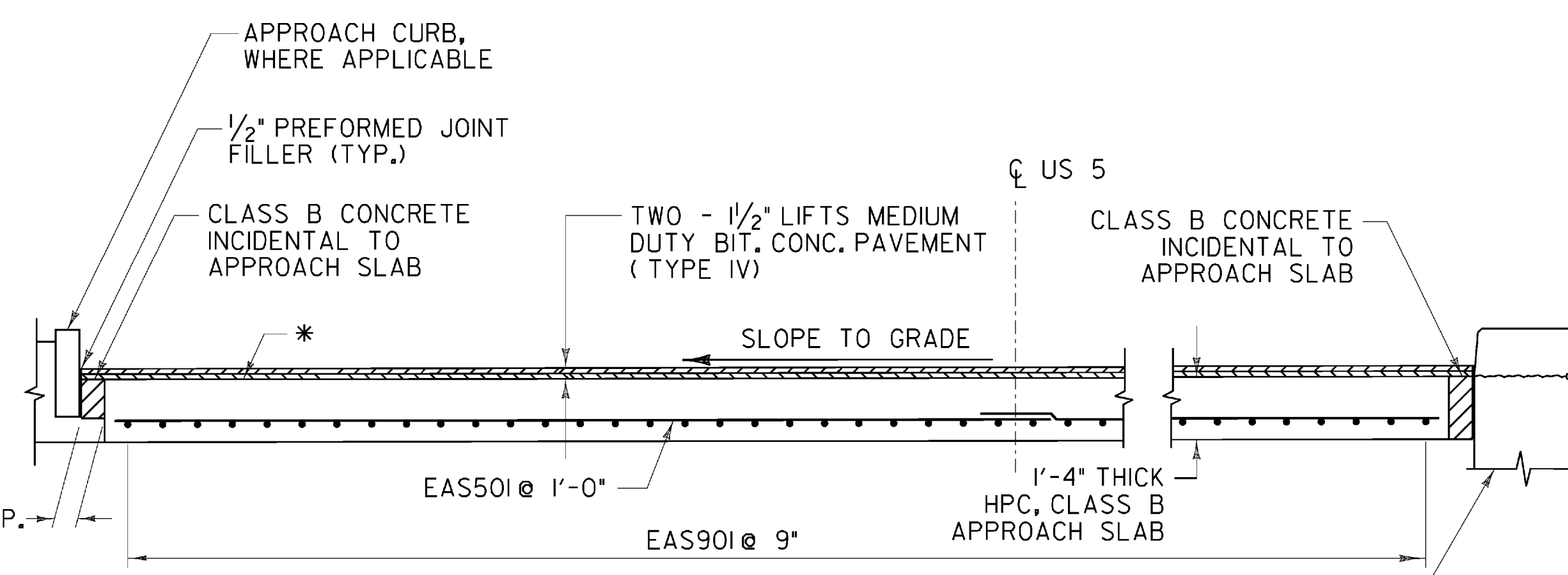
DETAIL A

NOT TO SCALE



TYPICAL APPROACH SLAB CROSS SECTION

NOT TO SCALE



SECTION B-B

NOT TO SCALE

** PAYMENT INCIDENTAL TO CONTRACT ITEM 501.34.

* EMULSIFIED ASPHALT AS DIRECTED BY ENGINEER DO NOT APPLY BARRIER MEMBRANE TO TOP OF APPROACH SLAB

STATE OF VERMONT AGENCY OF TRANSPORTATION

Town Of	PUTNEY	Bridge No.	19A
Highway No.	U.S. ROUTE 5 OVER I-91	Log Sta.	
		Surv. Sta.	
APPROACH SLAB PLAN AND DETAILS			
Designed By	T. KNIGHT	Drawn By	R. WALKER
Checked By	T. KNIGHT	Date	06/09
		Bridge Design Supervisor	G. BOGUE Date 06/09
PROJECT	PUTNEY	PROJECT NO.	IM 091-(31)
CAD Drawing Name:	... \Plot Files\39 z938168.dwg Date 10/19/2009		
Bridge Sheet No.		Sheet	39 of 75

