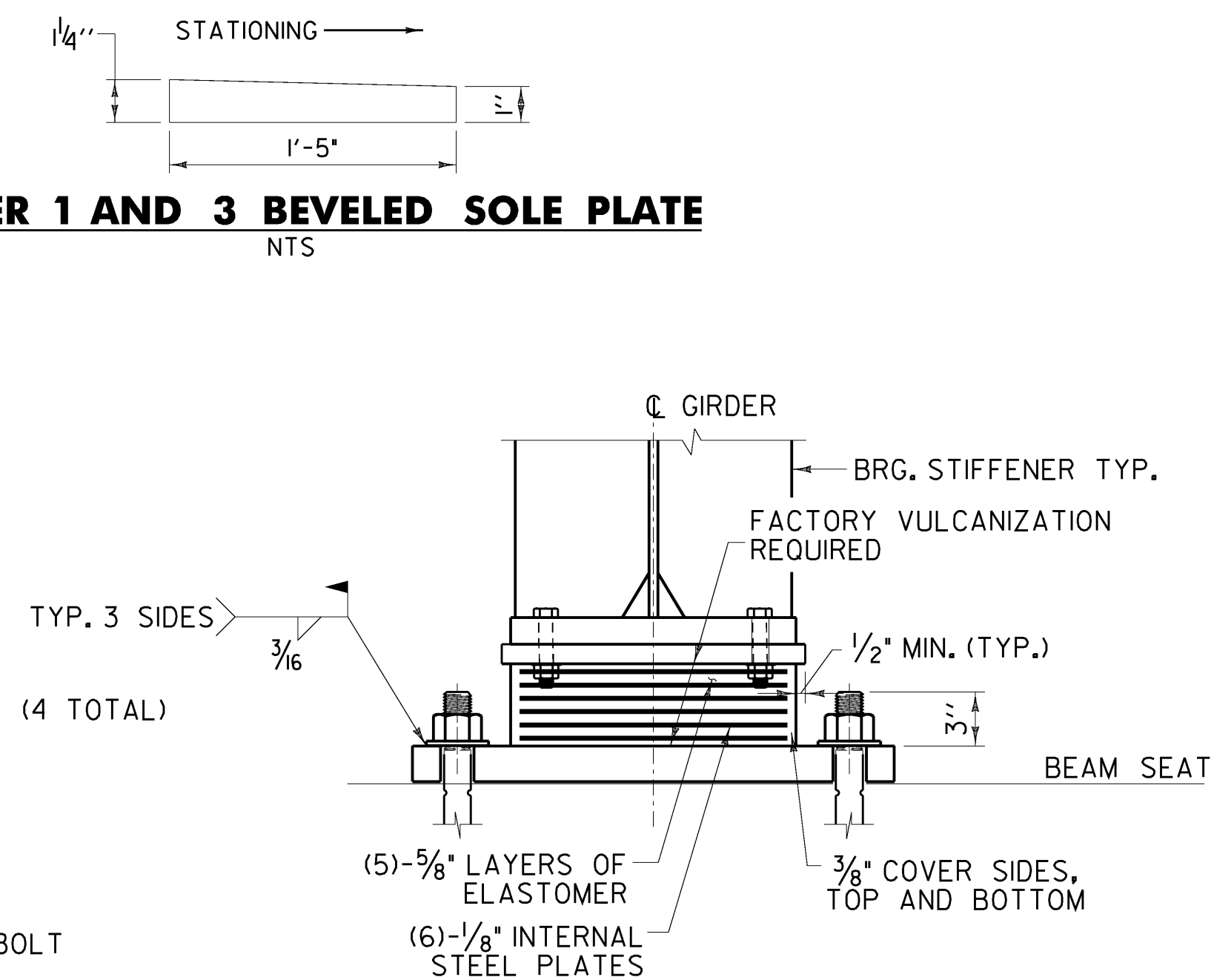
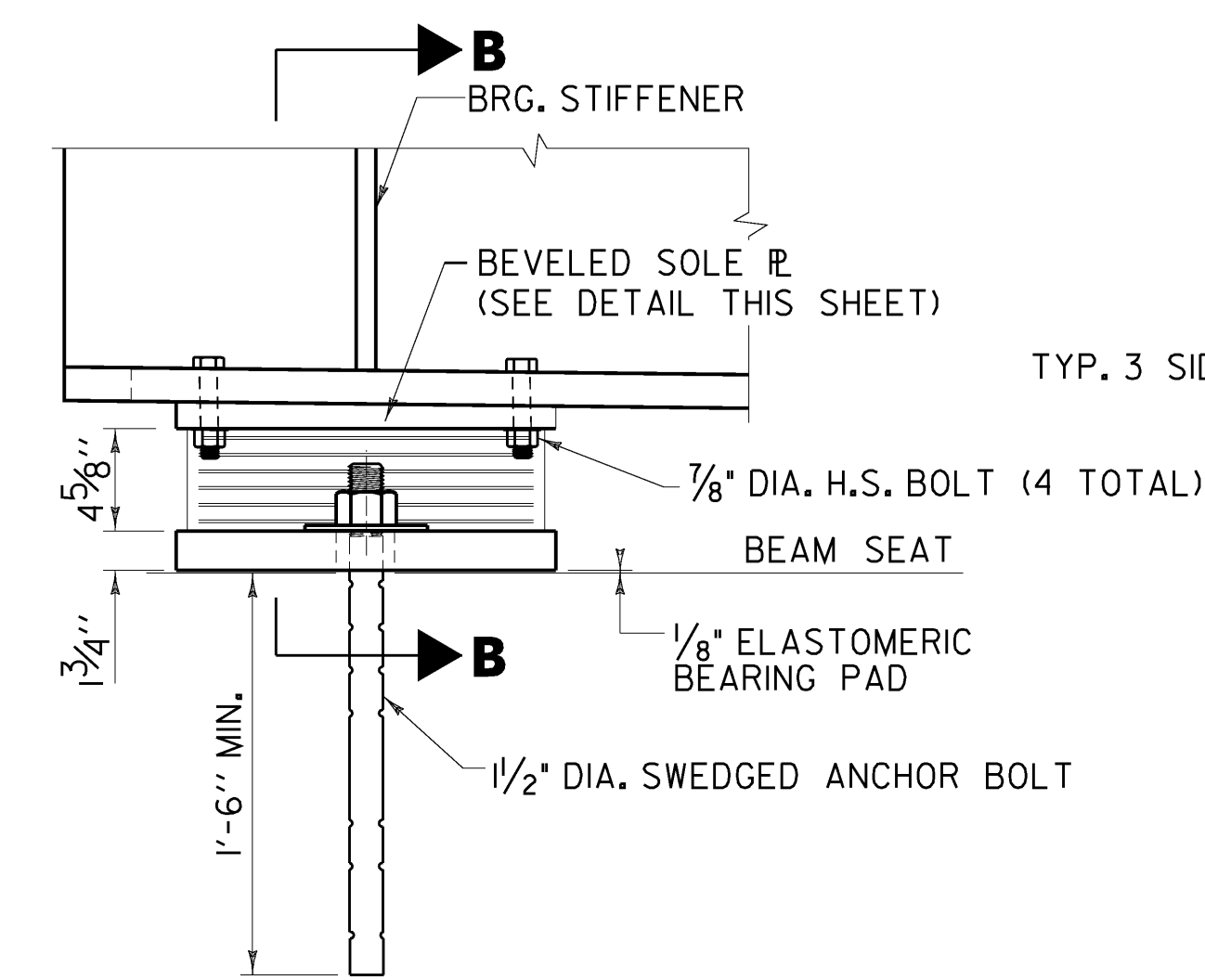
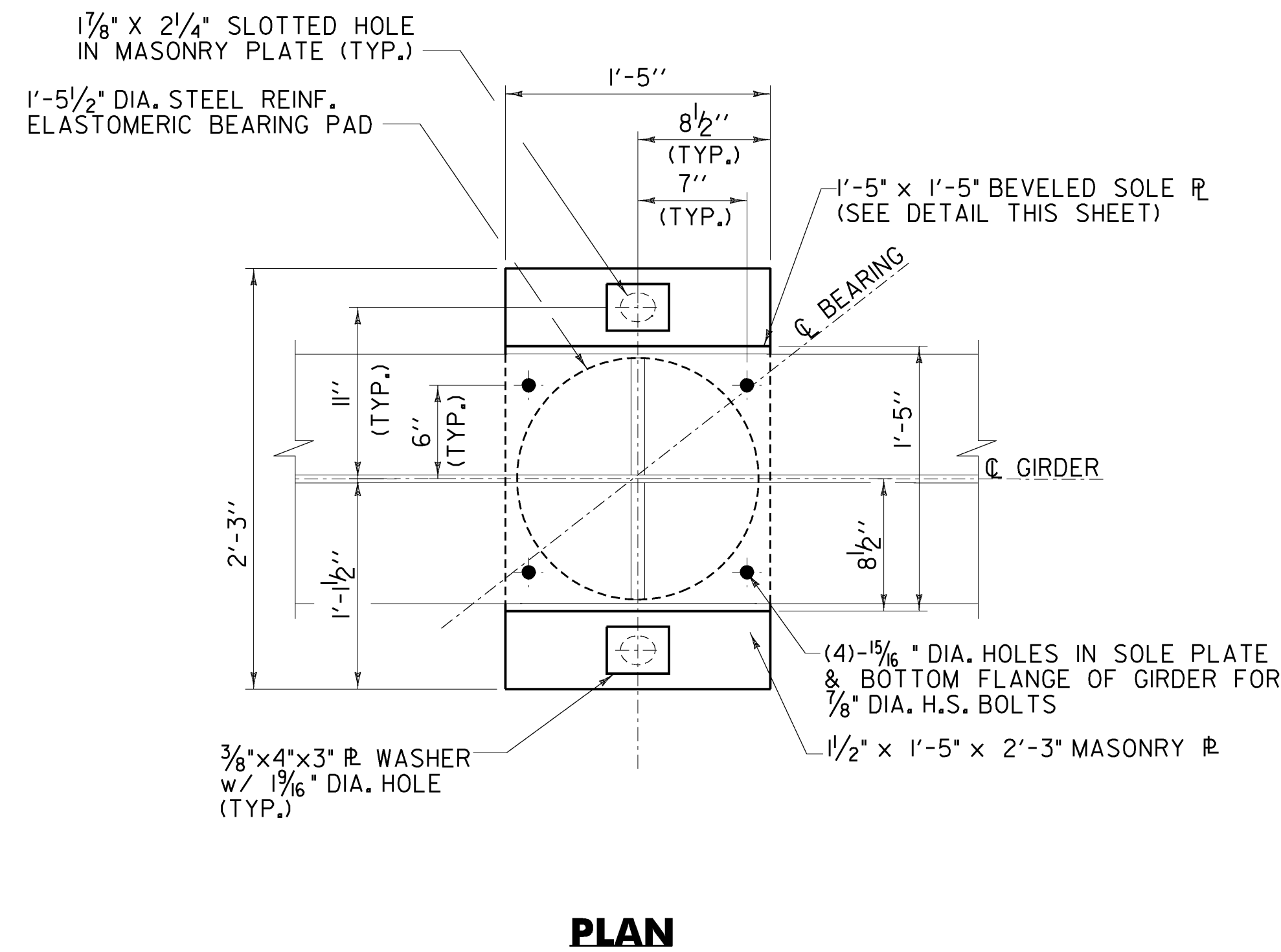


ELEVATION

SECTION A-A

EXPANSION BEARINGS - ABUTMENTS

ABUT. 1 SHOWN (ABUT. 2 SIMILAR)



PIER 1 AND 3 BEVELED SOLE PLATE
NTS

ELEVATION

SECTION B-B

EXPANSION BEARINGS - PIERS 1 AND 3

PIER 3 SHOWN (PIER 1 SIMILAR)

NOTES:

1. FOR BEARING NOTES, REFER TO SHEET 32.

SHEET SCALE: 1/2" = 1'-0" U.N.O.

**STATE OF VERMONT
AGENCY OF TRANSPORTATION**

Town Of	PUTNEY	Bridge No.	19A
Highway No.	U.S. ROUTE 5	Log Sta.	
		Surv. Sta.	
U.S. ROUTE 5 OVER I-91			
EXPANSION BEARING DETAILS			
Designed By	T. KNIGHT	Drawn By	T. KNIGHT
Checked By	G. BOGUE	Date	06/09
		Bridge Design Supervisor	G. BOGUE Date 06/09
PROJECT	PUTNEY	PROJECT NO.	IM 091-(131)
CAD Drawing Name:	... \33 z93a148brgs.d01t2.p04r: 10/19/2009		
Bridge Sheet No.	Sheet 33 of 75		

