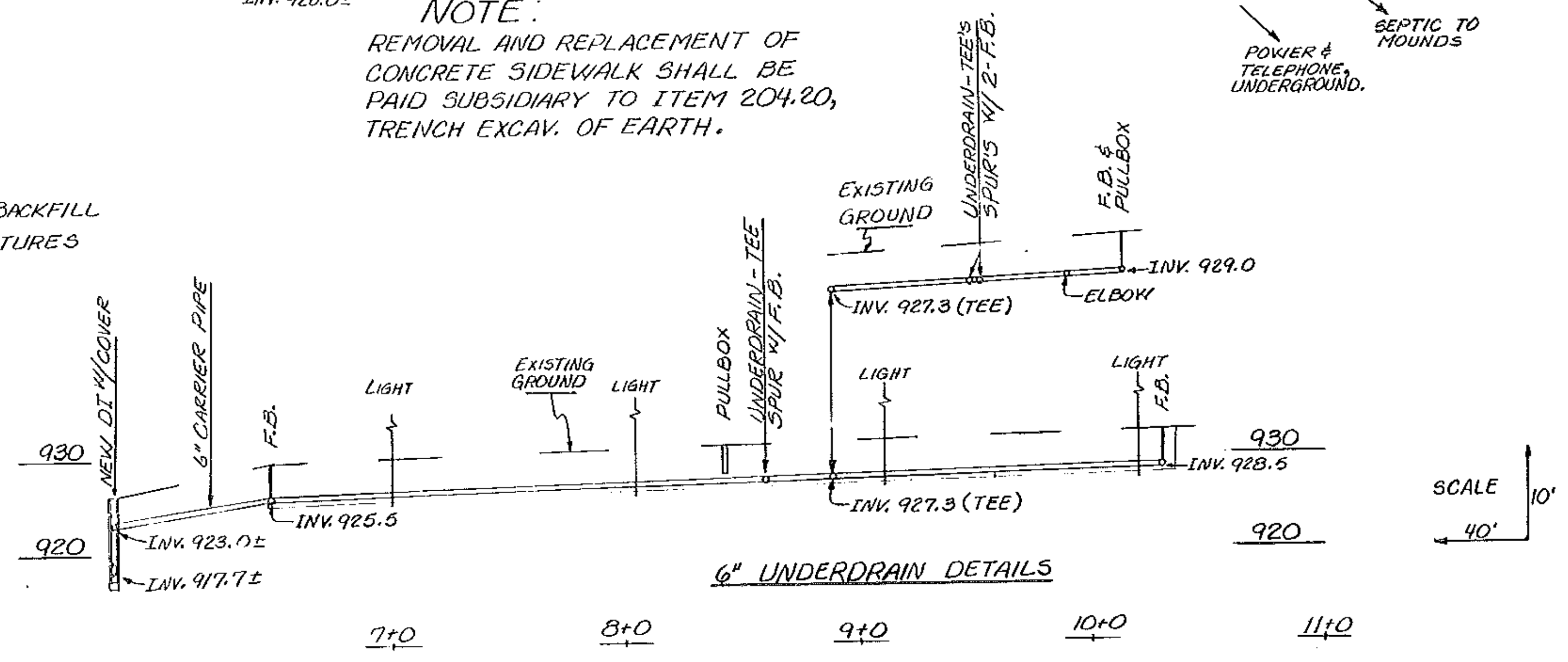
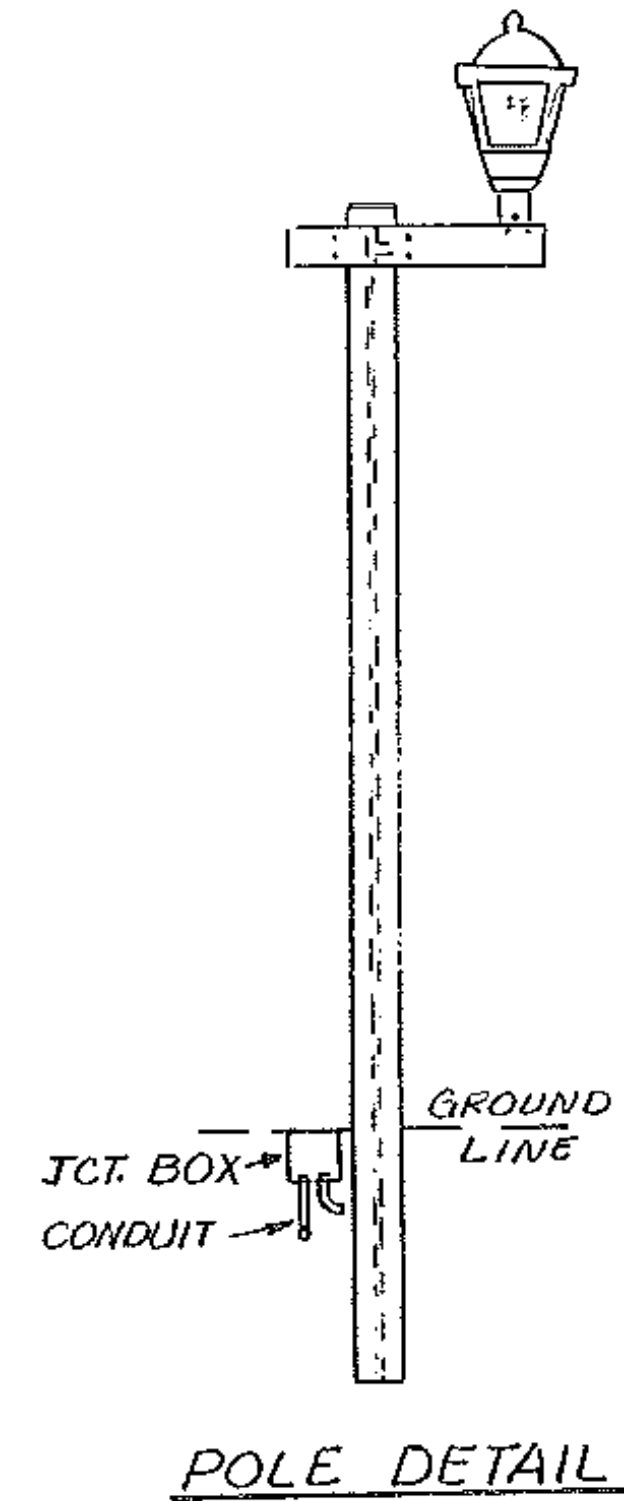
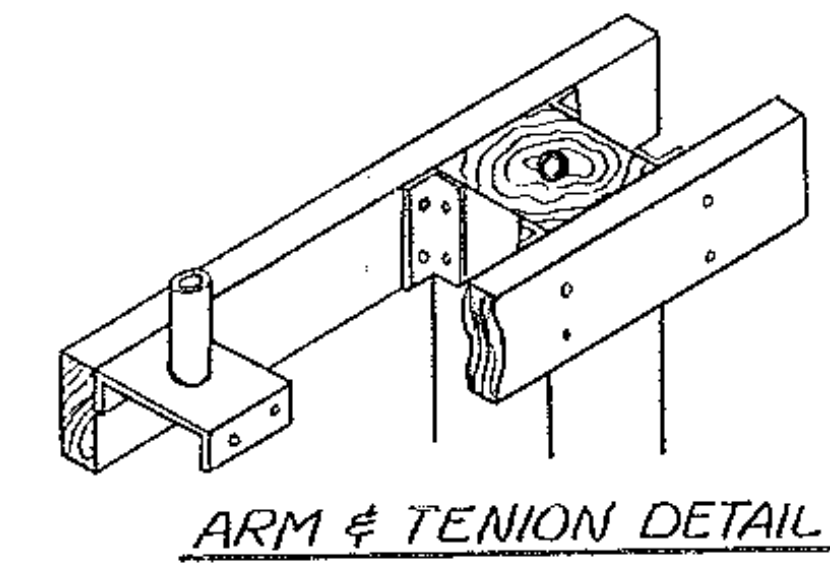


**NOTE:**  
 THE ABOVE DETAIL TO BE USED FROM STA. 6±37 LT. TO 10±32 LT. CONDUIT DETAIL TO BE USED FROM STATION 6±98 LT. TO 10±25 LT. SEE TOP DETAIL FOR CARRIER PIPE.

**NOTE:**  
 REMOVAL AND REPLACEMENT OF CONCRETE SIDEWALK SHALL BE PAID SUBSIDIARY TO ITEM 204.20, TRENCH EXCAV. OF EARTH.



WATERFORD  
 I-93 WELCOME CENTER

SURVEYED BY \_\_\_\_\_ DATE \_\_\_\_\_  
 DRAWN BY R. DAVIS DATE 5-88  
 TRACED BY \_\_\_\_\_ DATE \_\_\_\_\_

STATEWIDE  
 PROJ. IR NO. LITE (2)  
 SHEET 4 OF 18