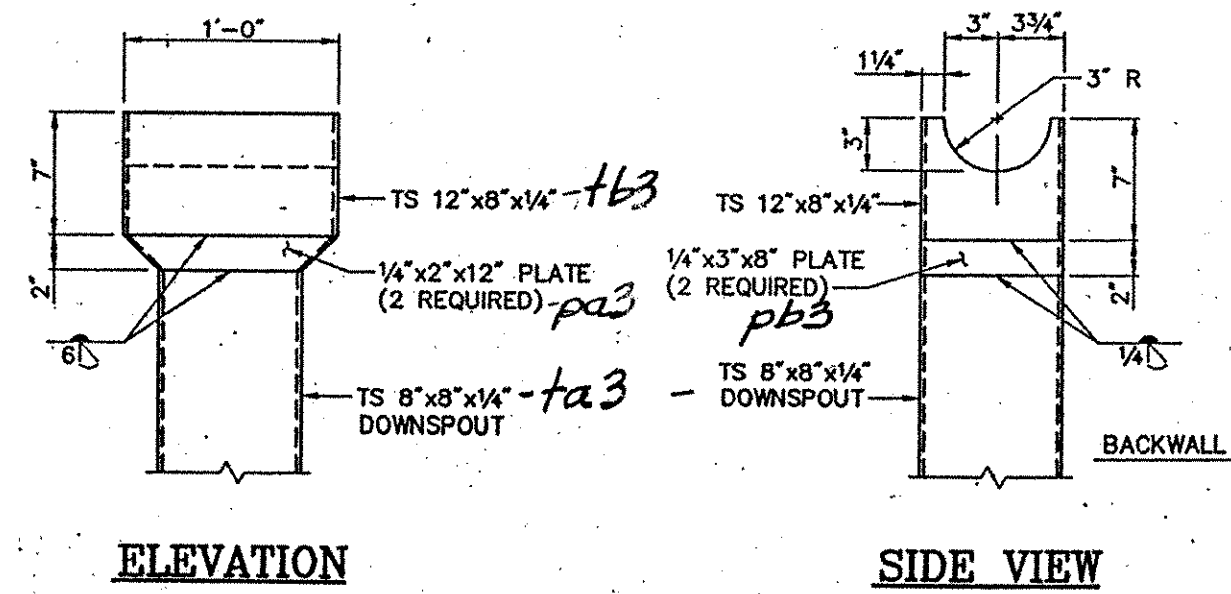
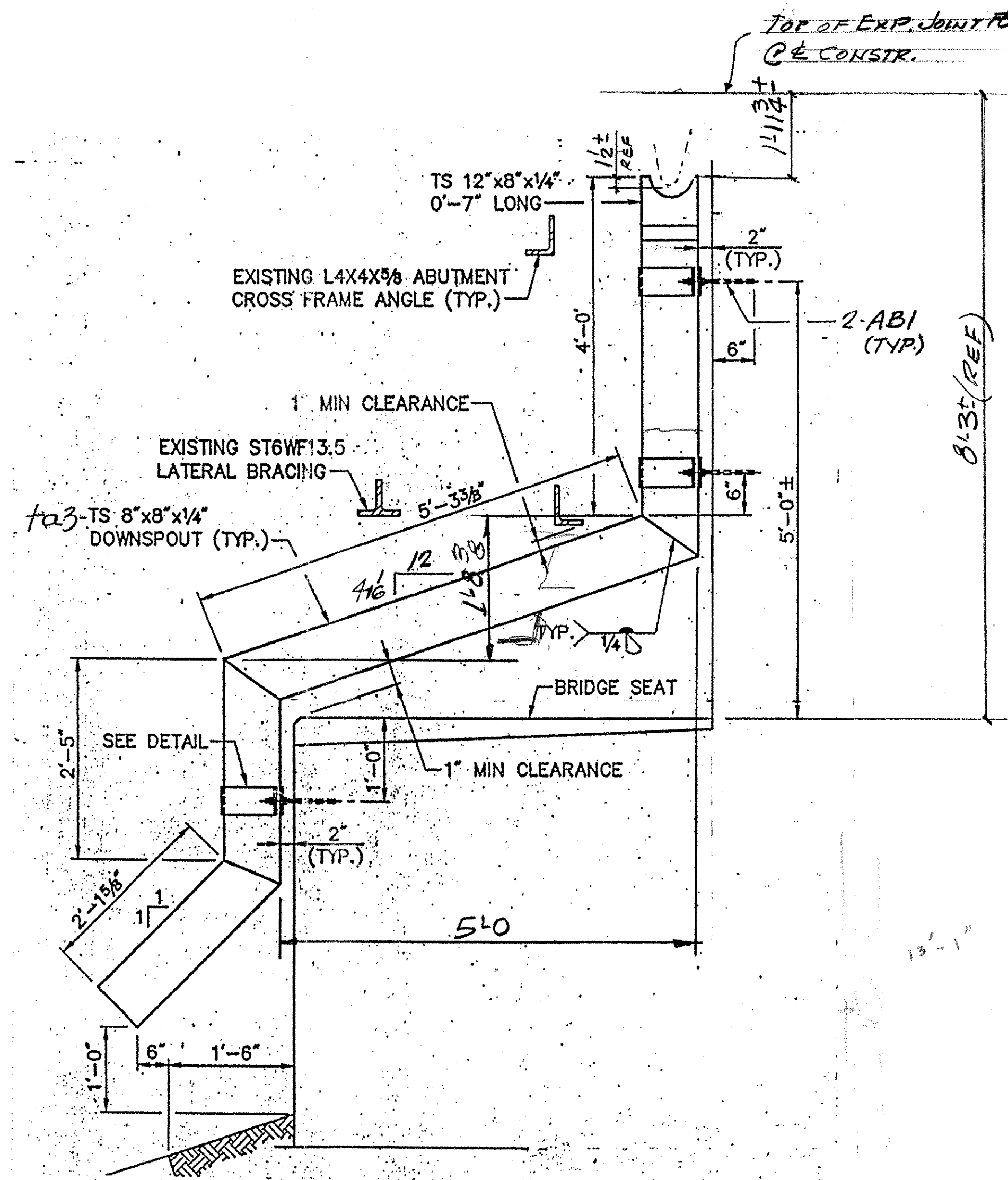


AFM INFO		SHOP BILL				JOB NO.	DRG. NO.		
PAGE	LINE	NO.	DESCRIPTION	FT	IN	ASSEM. MARK	SUPPLYING MARK	REMARKS	WEIGHT
	4		DOWNSPOUTS				DSI		-
	4	TS 8"x8"x1/4"	15	0	7/16			ASSEMBLED	
	4	TS 1/2"x3"x4"	7		1/8			DO	
	8	TS 4"x2"	1	0	1/8				
	8	TS 4"x3"	8		1/8				
	12	BAR 4"x3/8"	2	6		SAI	BEND		
	12	DO	1	3		SBI			
	24	1/2" TYP. TYP. TYP.				ABI			
	48	1/2" TYP. TYP. TYP.							
	48	1/2" TYP. TYP. TYP.							



HOPPER DETAILS



DSI-4-REQ'D.

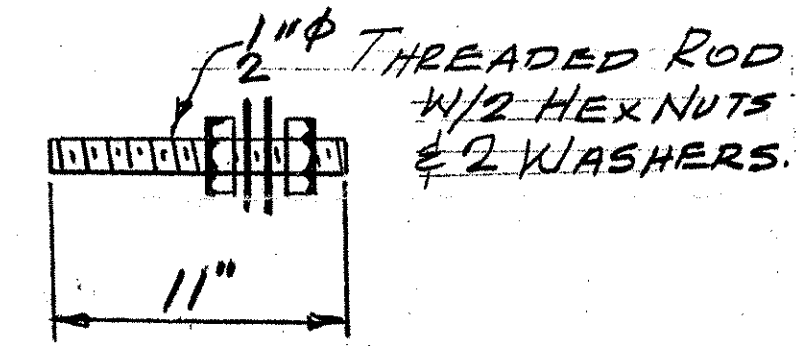
PAY ITEM 506.60

SHOP DRAWING REVIEW	
<input checked="" type="checkbox"/>	REVIEWED AS REQUIRED BY THE CONSTRUCTION CONTRACT DOCUMENTS AND APPROVED, BUT DELIVERED TO THE CONTRACTOR BY THE DESIGNER'S OFFICE. THE CONTRACTOR IS RESPONSIBLE FOR THE DESIGNER'S CONTRACT DOCUMENTS.
<input type="checkbox"/>	REWORKED
<input type="checkbox"/>	REWORK AND RESUBMIT
<input type="checkbox"/>	FURNISH AS CORRECTED
<small>DESIGNER'S REVIEW OF CONTRACTOR'S SHOP DRAWINGS IS LIMITED TO THE REVIEW OF THE DRAWINGS AND SPECIFICATIONS. THIS CHECK IS ONLY FOR REVIEW OF CLERICAL ERRORS AND DOES NOT CONSTITUTE A GUARANTEE OF THE ACCURACY OF THE DRAWINGS OR THE CONTRACT DOCUMENTS. THE CONTRACTOR IS RESPONSIBLE FOR OBTAINING AND VERIFYING ALL DIMENSIONS AND CONDITIONS. THE CONTRACTOR IS RESPONSIBLE FOR OBTAINING AND VERIFYING ALL DIMENSIONS AND CONDITIONS. THE CONTRACTOR IS RESPONSIBLE FOR OBTAINING AND VERIFYING ALL DIMENSIONS AND CONDITIONS.</small>	
VHB	Job Number: 50499 Reviewed By: JAL Date: 3-26-99

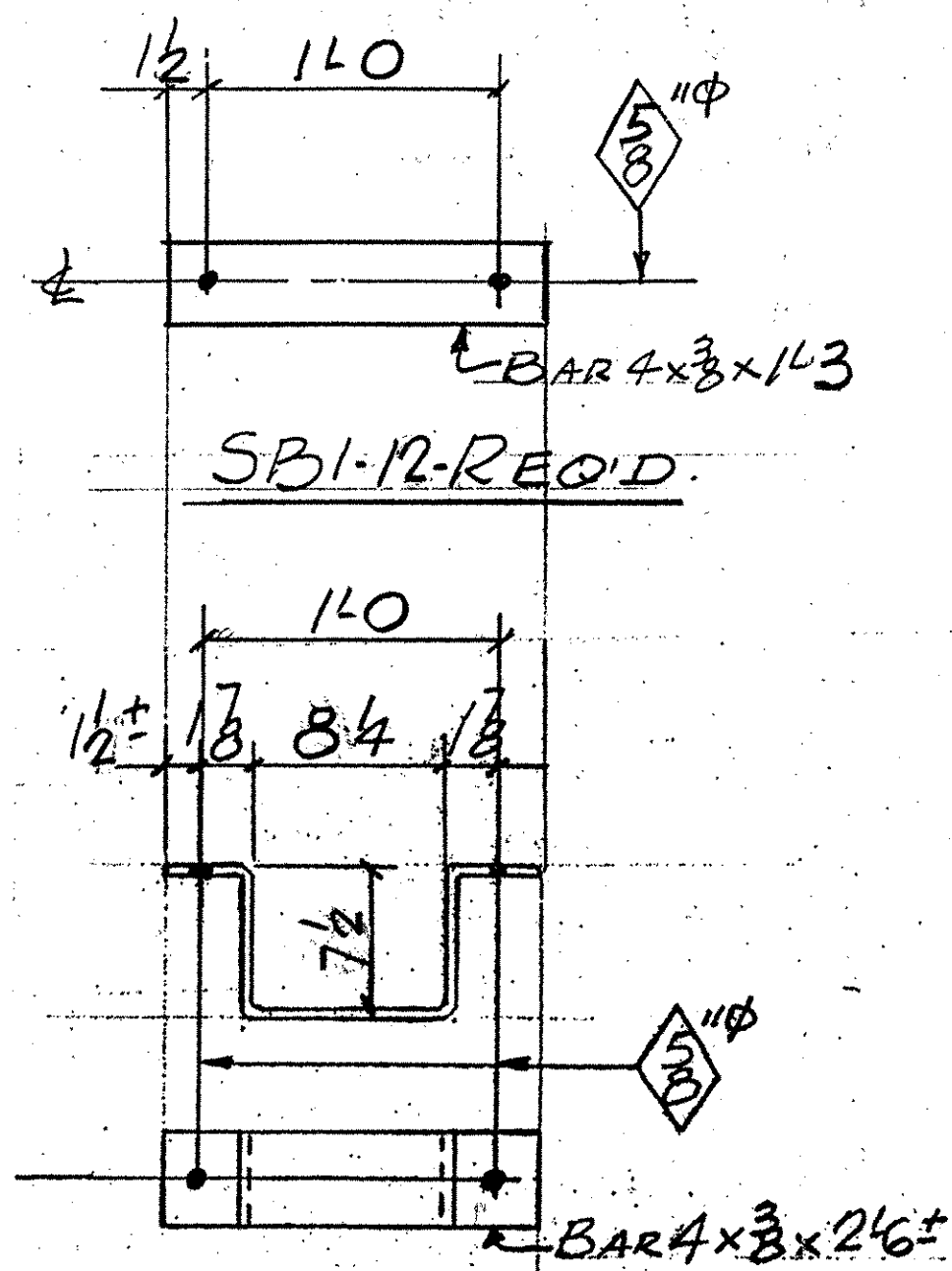
REV.	REMARKS	DATE	DWN	CHK	APP	Q.A.	NO.	DIA.	LGT	TYPE	WASHER
	OUT FOR APPROVAL										
	OUT FOR APPROVAL										
	ISSUED TO SHOP										
	FIELD & OFFICE										

PROJECT NO. IR-089-1(13) STATE PROJECT NO. 11N 5115
 MATERIAL: AS NOTED ELECTRODES: PER PROC. HOLES: AS NOTED SHOP BOLTS:
 SURFACE PREP. & PAINT: GALVANIZED AFTER FAB - PER ASTM-A-153

DESCRIPTION:	DRAWN BY:	DATE:
DOWNSPOUTS	JPF	3-99
JOB:	CHKD BY:	
I-89-NB & SB OVER	EJ	
WHITE RIVER, VT. 14 & NECR	APPROV BY:	
HARTFORD, VT.	Q.A.	
CUSTOMER: WINTERSET INC.		
CASCO BAY STEEL STRUCTURES, INC.	JOB NO.	DRG. NO.
5 INDUSTRY ROAD SOUTH PORTLAND, ME 04106	048	3
PHONE (207) 772-2533 FAX. (207) 772-0580	106	REV. Δ



ABI-24-REQ'D.



SAI-12-REQ'D.