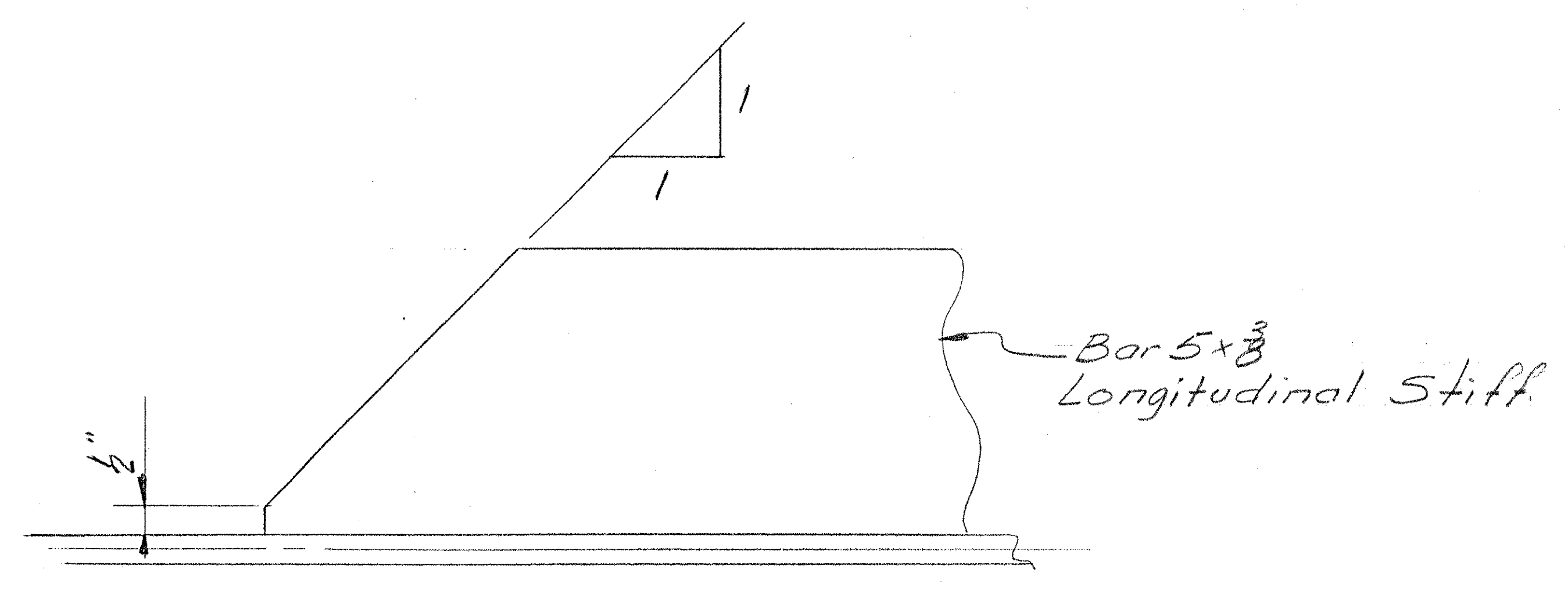


DETAIL @ SKEWED STIFFENERS



SPECIAL DETAIL
@ CUT LONGITUDINAL STIFFENERS
 See Girder Details for location

IR 089-1(13)
 This sheet for information only
BR 11 N & S

SHEET 92 OF 101

APP. 4.25.66

PROJ. No. I-89-1(6)	
N.B & S BRIDGES	
SPECIAL DETAILS	
Bancroft & Martin Inc. South Portland 7, Maine	
I-89 BRIDGE OVER WHITE RIVER HARTFORD, VERMONT	
CUSTOMER CIANCHETTE BROS. INC.	
DESIGNER VERMONT DEPT OF HIGHWAYS	
ORDER NO. VERBAL	DWG. NO. 65374-518

DRAWN	7.28.66 J.P.F.
REVISION	4.21.66 J.P.F.
REVISION	
REVISION	