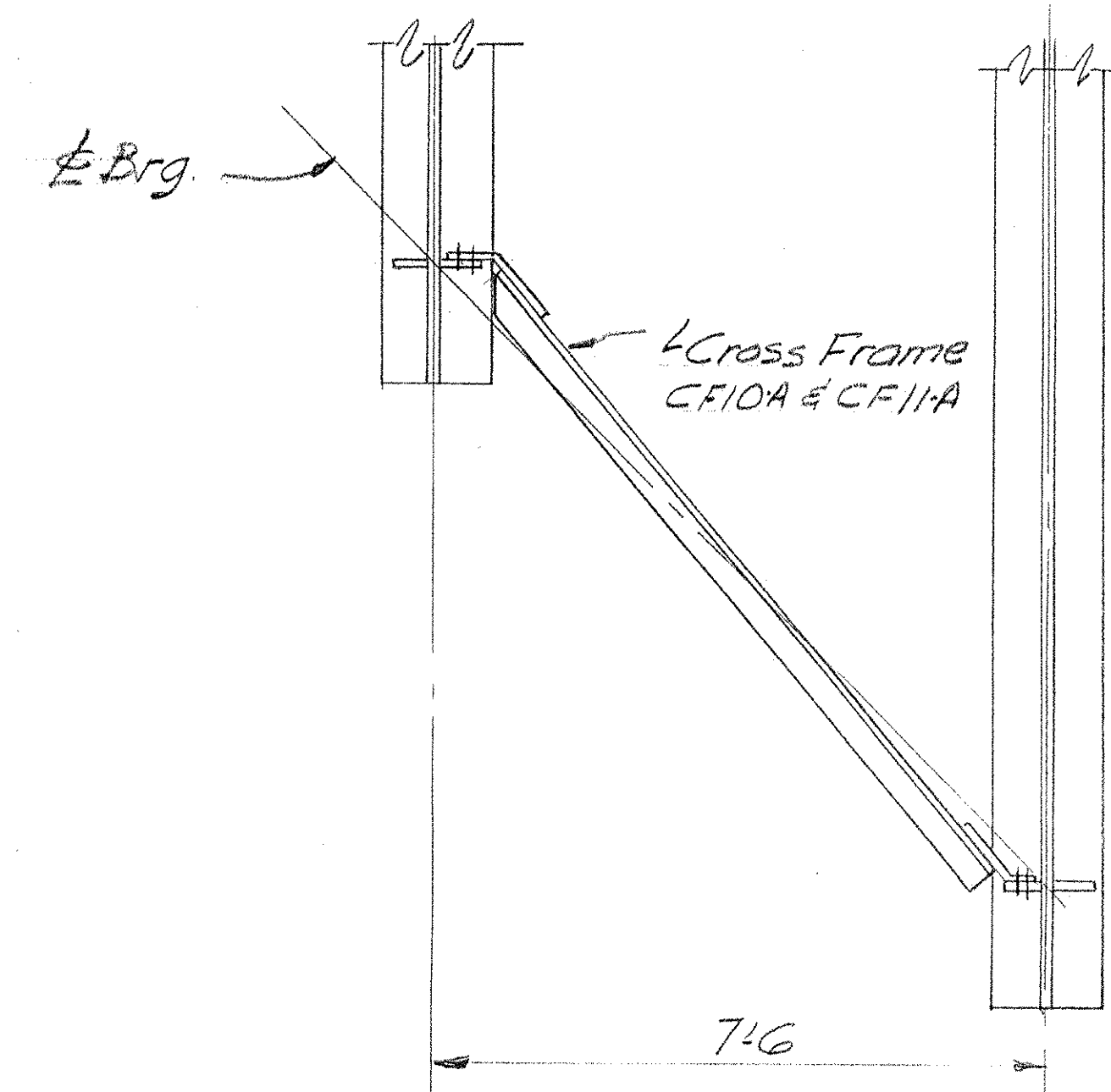
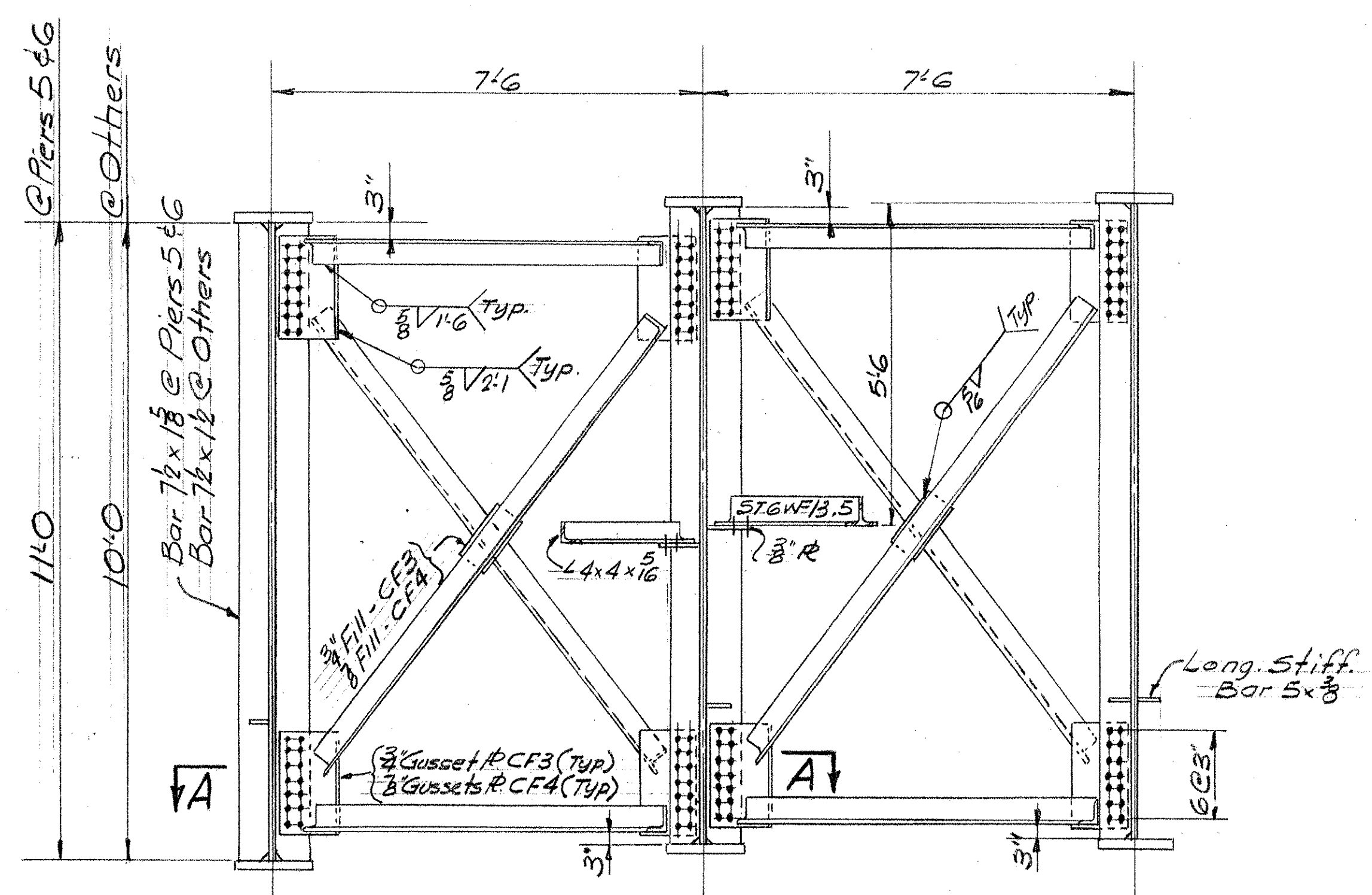
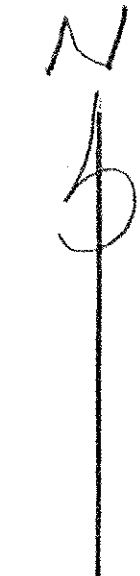


ABUTMENT CROSS FRAMES - CF1

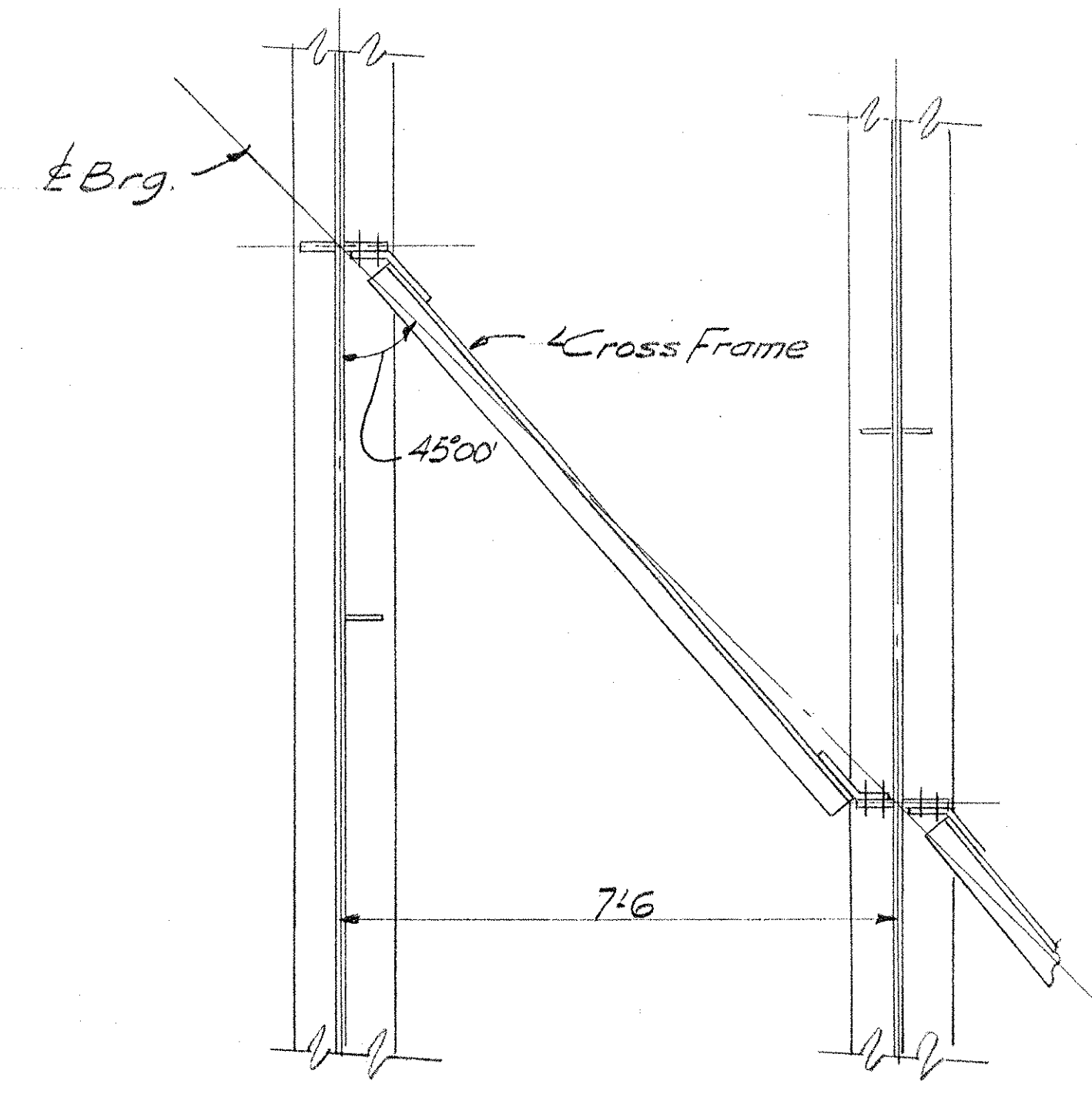
INTERMEDIATE CROSS FRAMES - CF2



SPECIAL DETAIL @ SOUTH ABUT. SOUTHBOUND BRIDGE



PIER CROSS FRAMES - CF3 & CF4



SECTION A-A

IR 089-1(13)
This sheet for information only
BR 11 N & S

SHEET 83 OF 101

N.B. & S.B. BRIDGES
TYPICAL SECTIONS
Bancroft & Martin Inc.
South Portland 7, Maine
I-89 BRIDGE OVER WHITE RIVER
HARTFORD, VERMONT

Change @ S. ABUT. S.B. BRIDGE	DRAWN	12-20-65 J.P.F.
	REVISION	9-15-66 J.P.R.
	REVISION	
	REVISION	

CUSTOMER	CIANCHETTE BROS. INC.
DESIGNER	VERMONT DEPT. OF HIGHWAYS
ORDER NO.	
DWG. NO.	65-374-E4

APP 4666