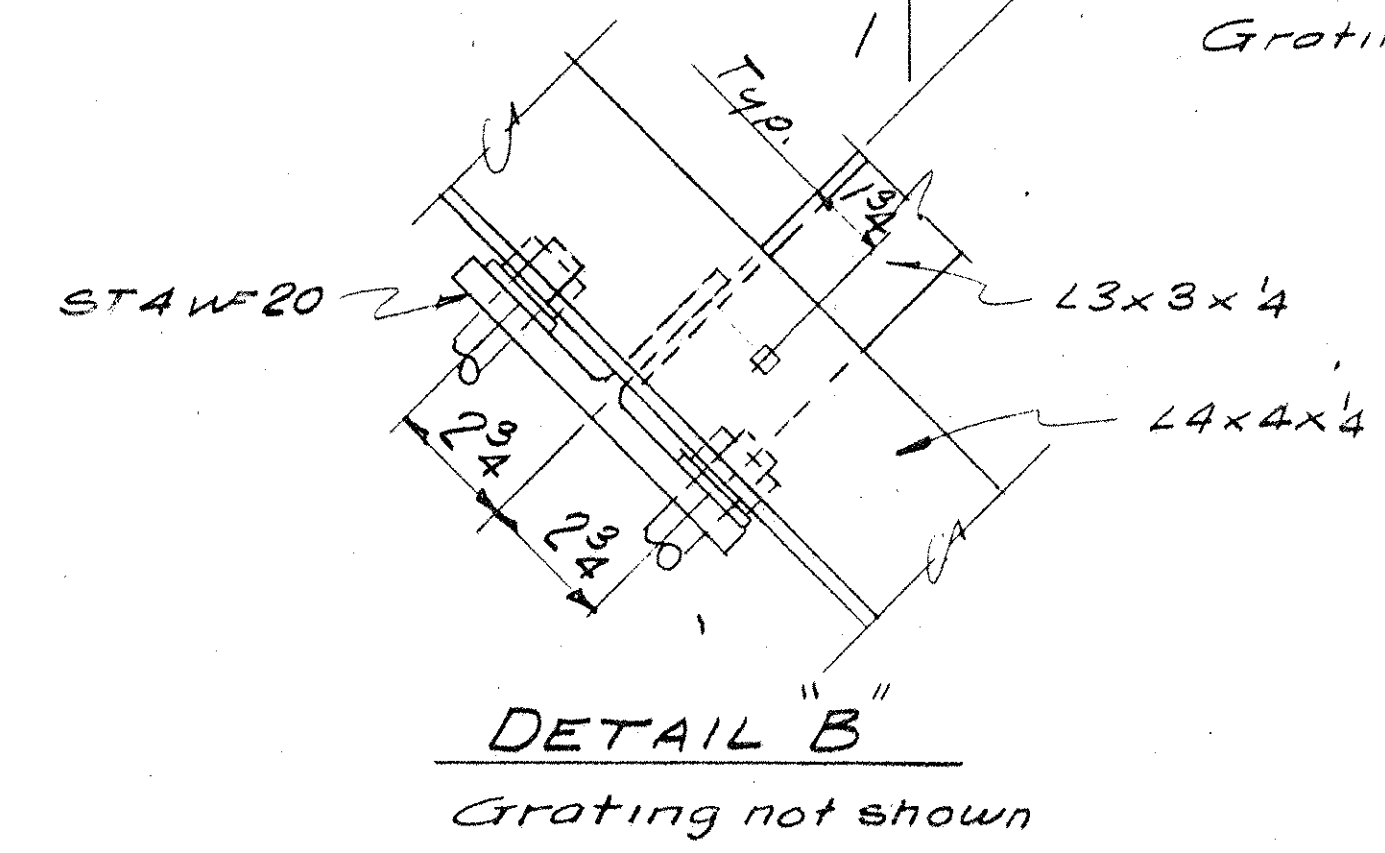
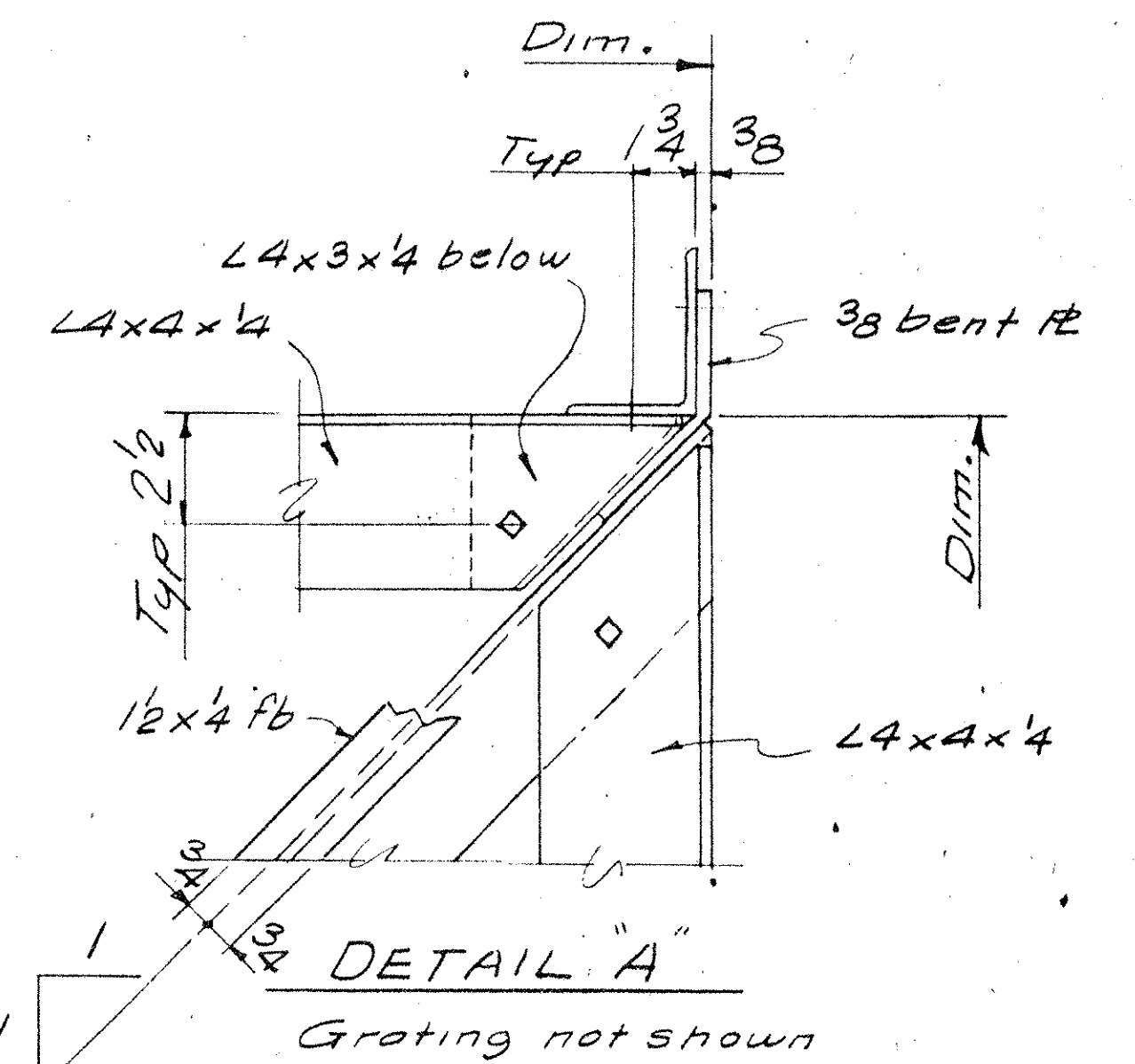
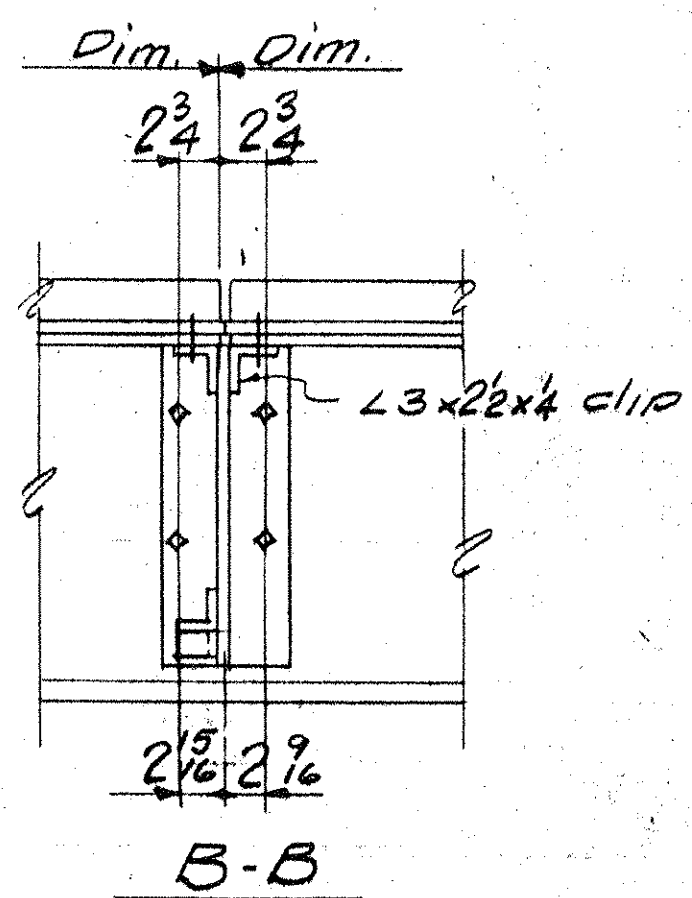
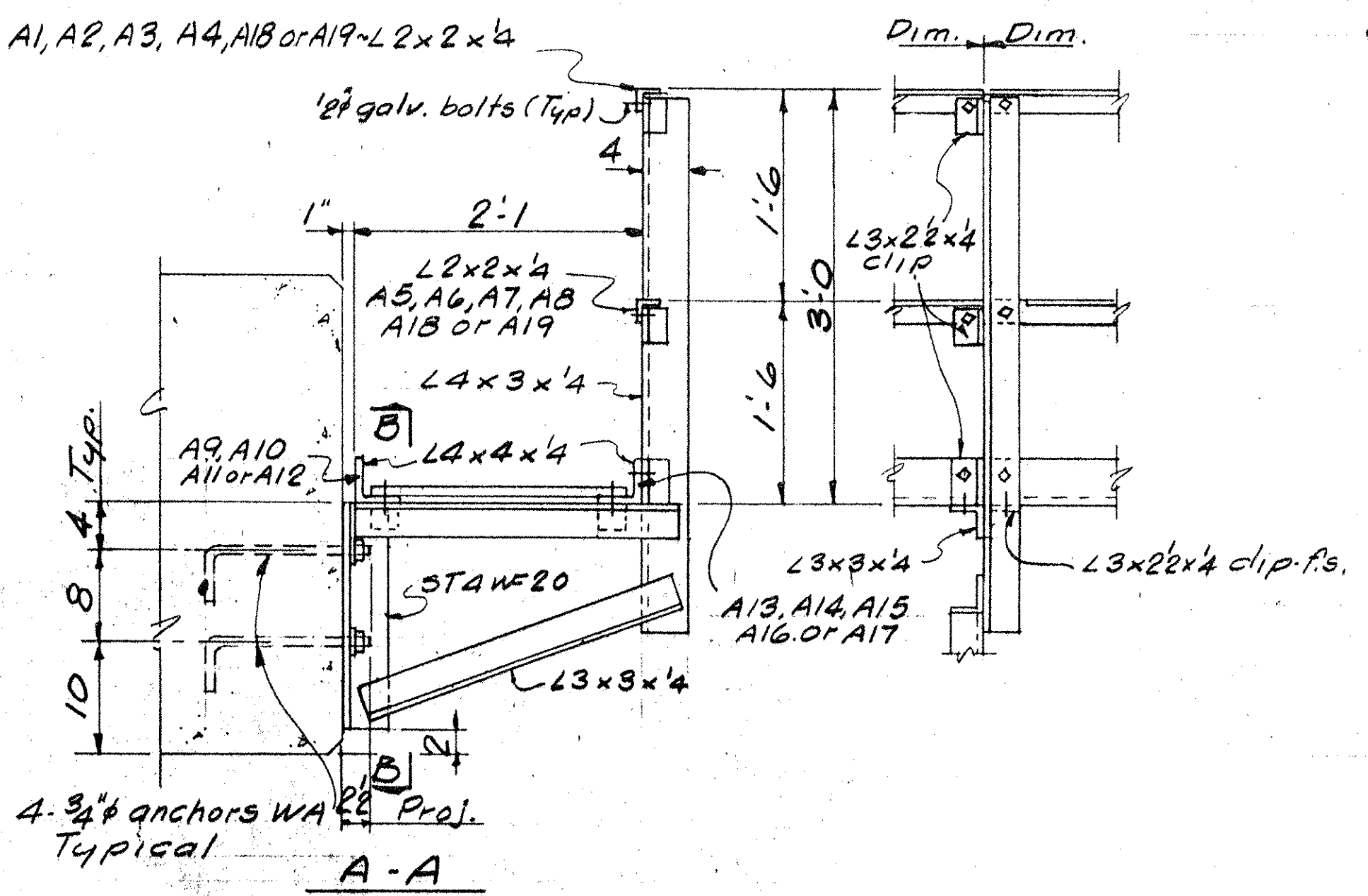
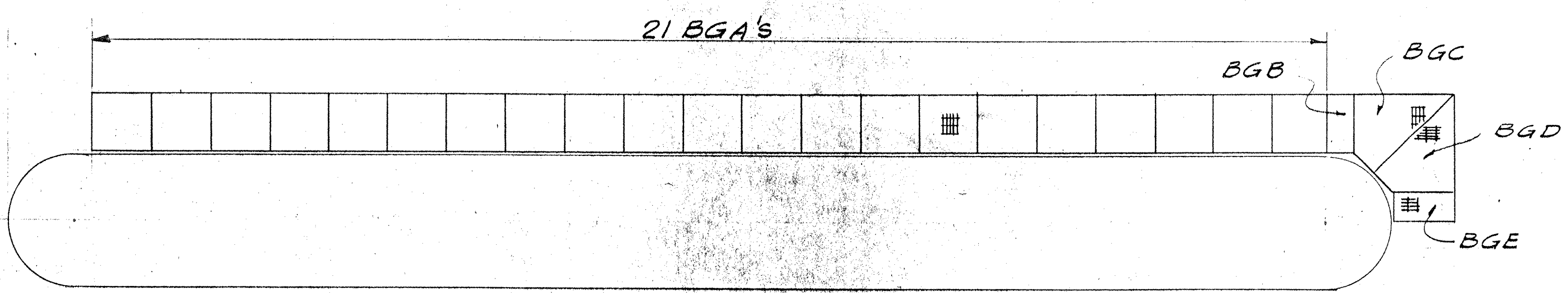


TYPICAL WALKWAY PLAN
NORTHBOUND & SOUTHBOUND BRIDGES

NORTHBOUND: Suffix N. to be added to all marks.
 SOUTHBOUND: Suffix S. to be added to all marks.
 For piers 1 thru 8 inclusive



FIELD NOTE
 Erect members with piece marks on East end of East-West members and North end of North-South members.
 All material to be Hot Galvanized per A.S.T.M. A123 after fabrication.



GRATING LAYOUT

IR 089-1(13)
 This sheet for information only
BR 11 N & S

SHEET 81 OF 101

Proj. No. I-89-116
 NB. & SB. BRIDGES
 INSPECTION WALKWAY PLAN
 Bancroft & Martin Inc.
 South Portland 7, Maine
 I-89 BRIDGE OVER WHITE RIVER
 HARTFORD, VERMONT

APP. 1-17-66	
DRAWN 1-3-66 TFG	
REVISION	
REVISION	
REVISION	

CUSTOMER CIANCHETTE BROS. INC.	
DESIGNER VERMONT DEPT. OF HIGHWAYS	
ORDER NO.	DWG. NO. 65-374-E2