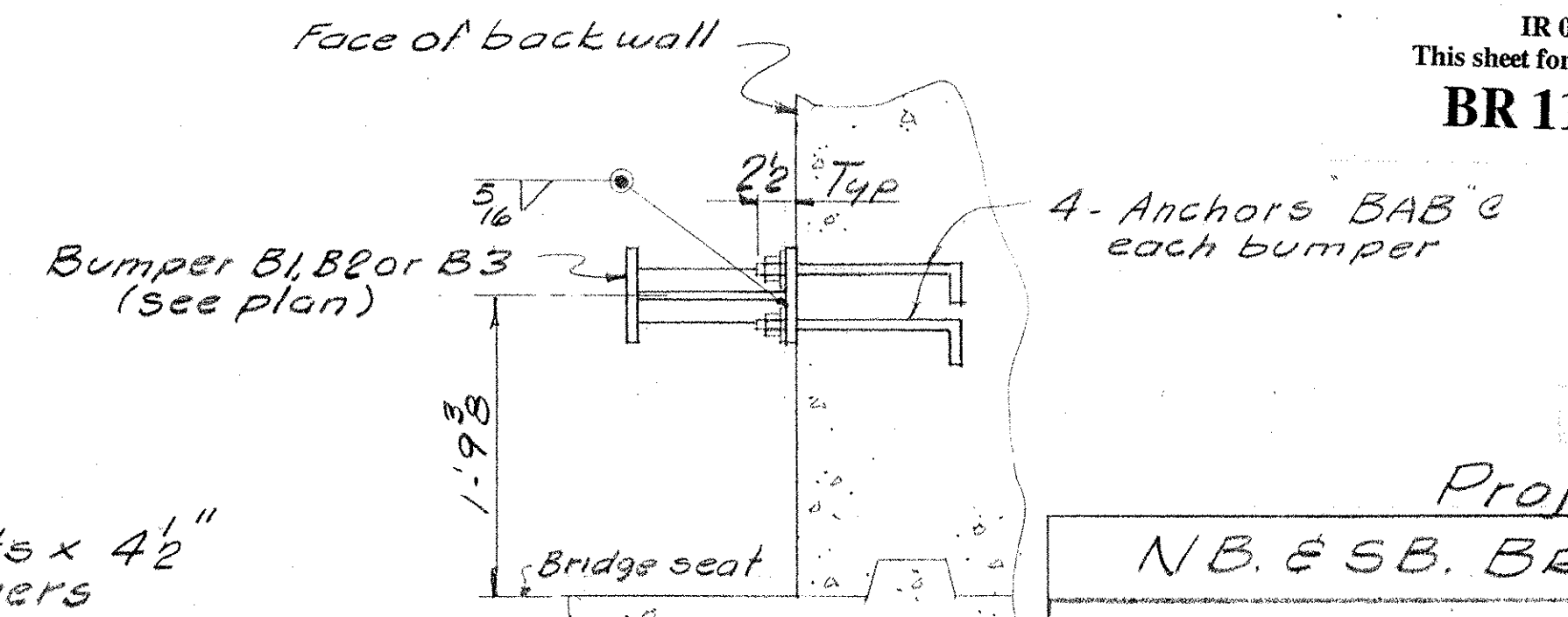
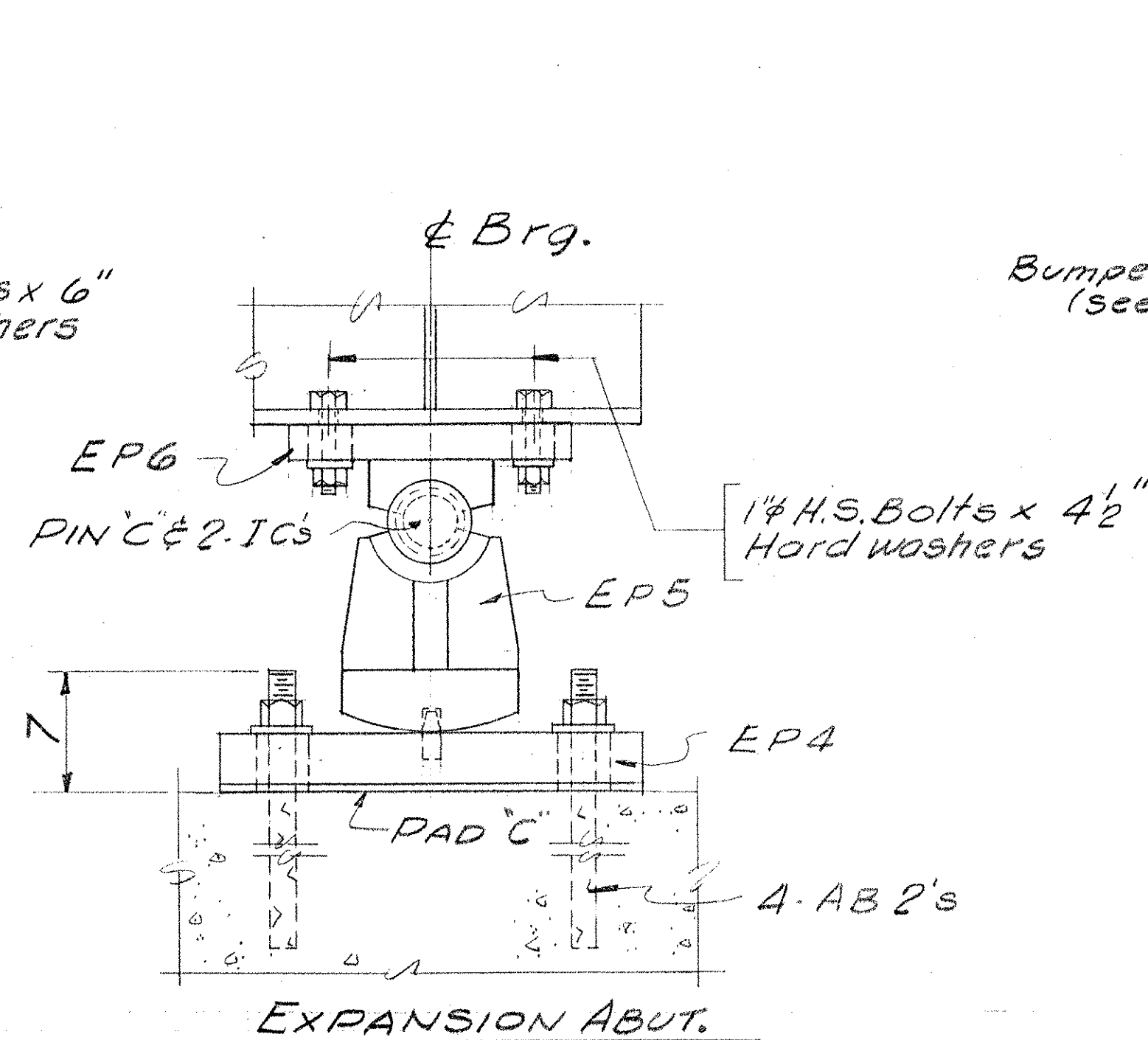
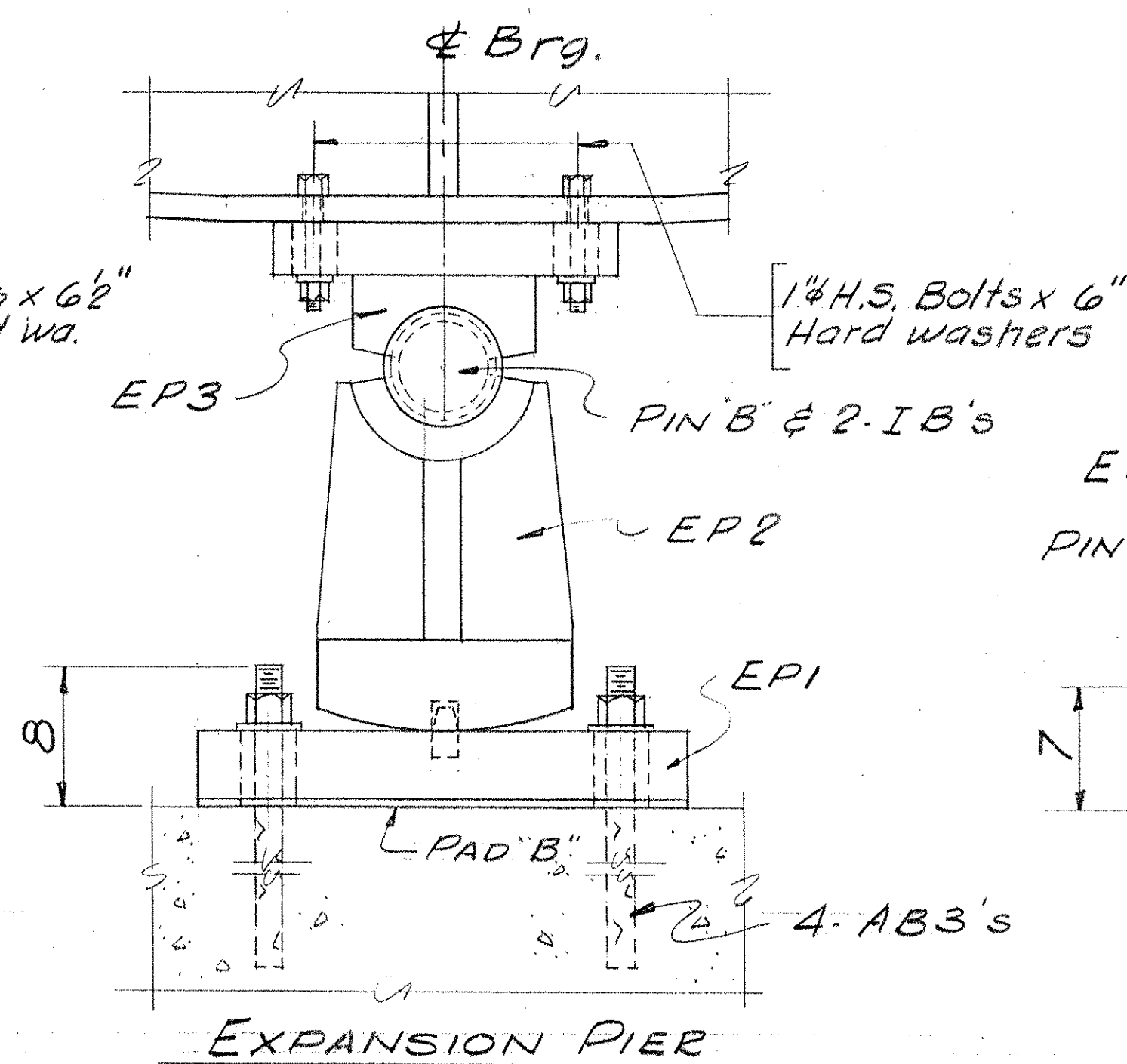
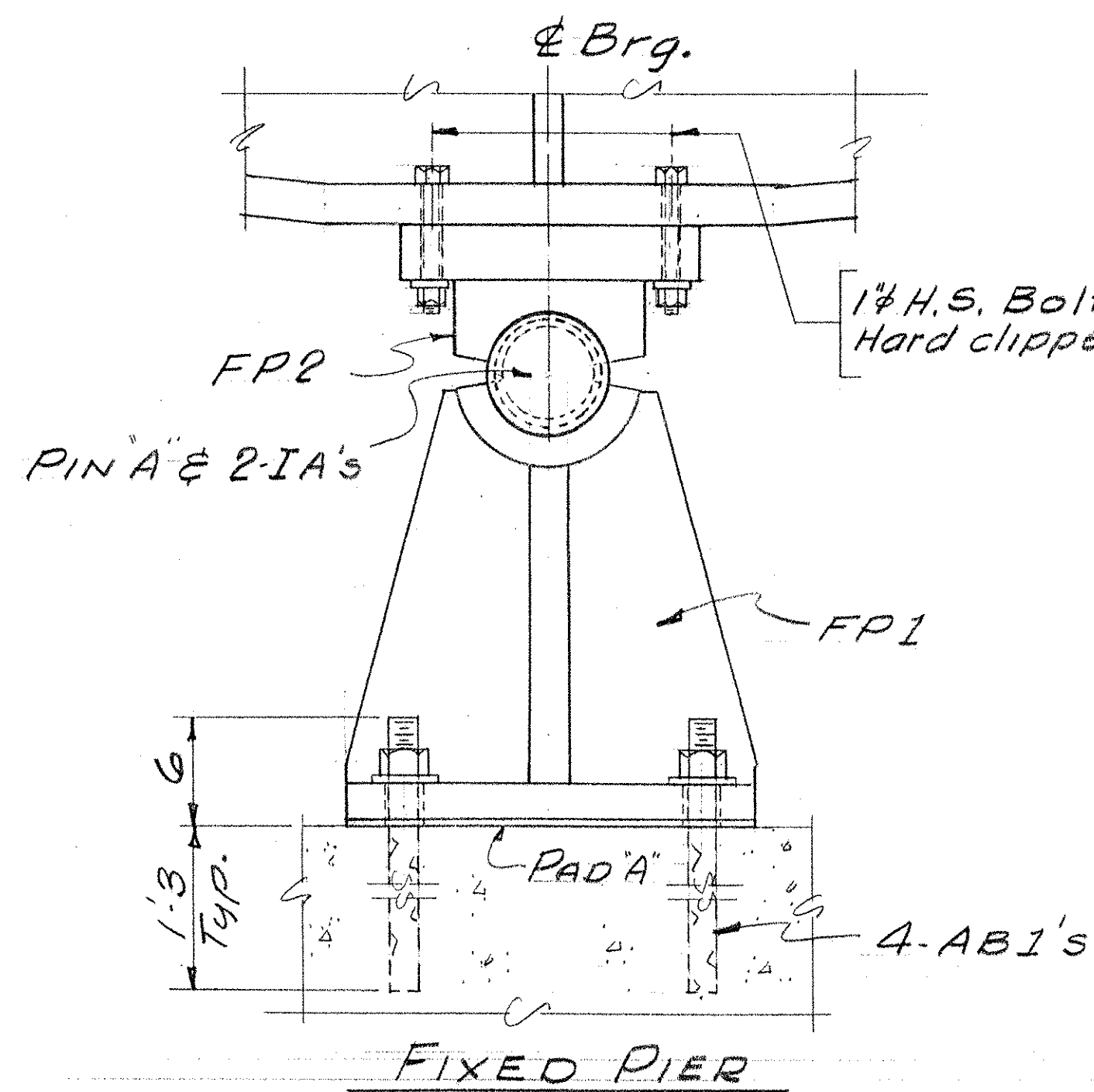


ERECTION PLAN - NORTHBOUND & SOUTHBOUND BRIDGES

NOTE:
Dimensions given on slope

NORTHBOUND: Suffix N to be added to all Marks
SOUTHBOUND: Suffix S to be added to all Marks



IR 089-1(13)
This sheet for information only
BR 11 N & S

SHEET 80 OF 101

Proj. No. I-89-1(6)

NB. & SB. BRIDGES
BEARING LOCATION PLAN
Bancroft & Martin Inc.
South Portland 7, Maine
I-89 BRIDGE OVER WHITE RIVER
HARTFORD, VERMONT

App. 1-14-66

DRAWN	12-28-65 TFG
REVISION	
REVISION	
REVISION	

CUSTOMER **CIANCHETTE BROS. INC.**
DESIGNER **VERMONT DEPT. OF HIGHWAYS**

ORDER NO. _____ DWG. NO. **65-374-E1**