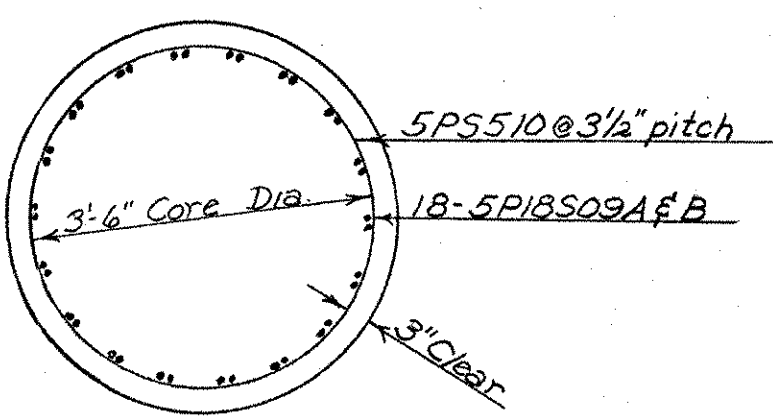
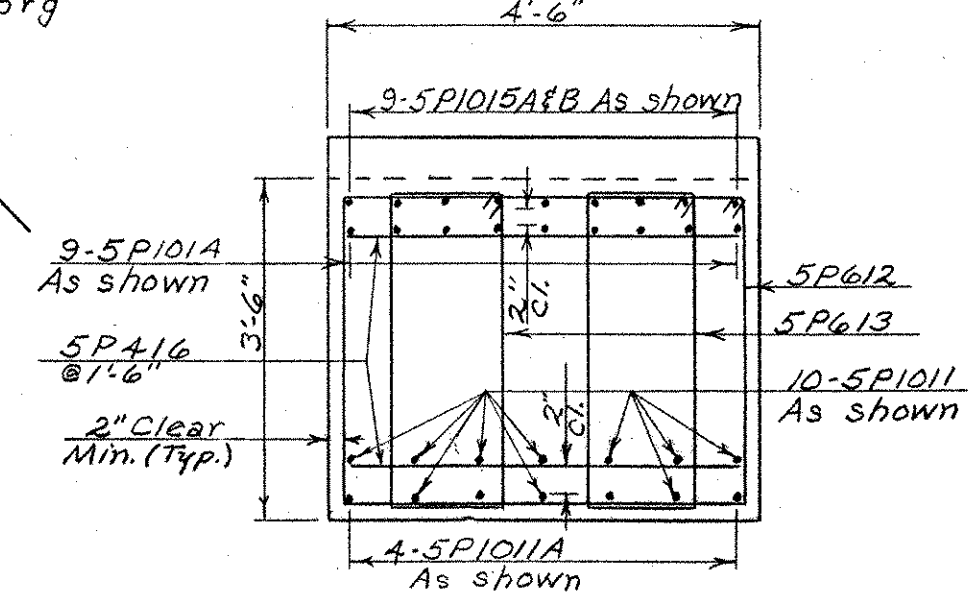


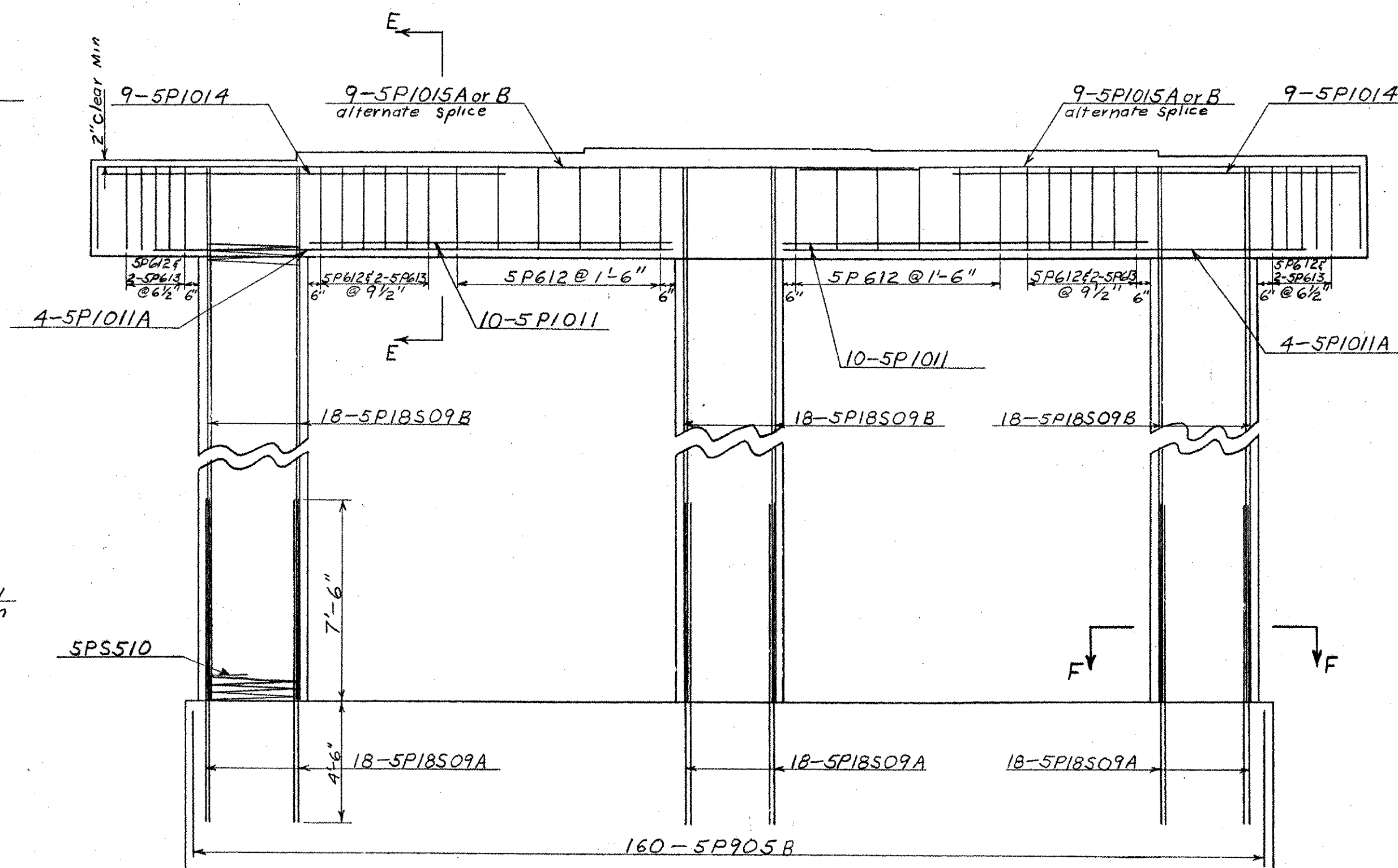
PLAN  
Scale 1/8" = 1'-0"



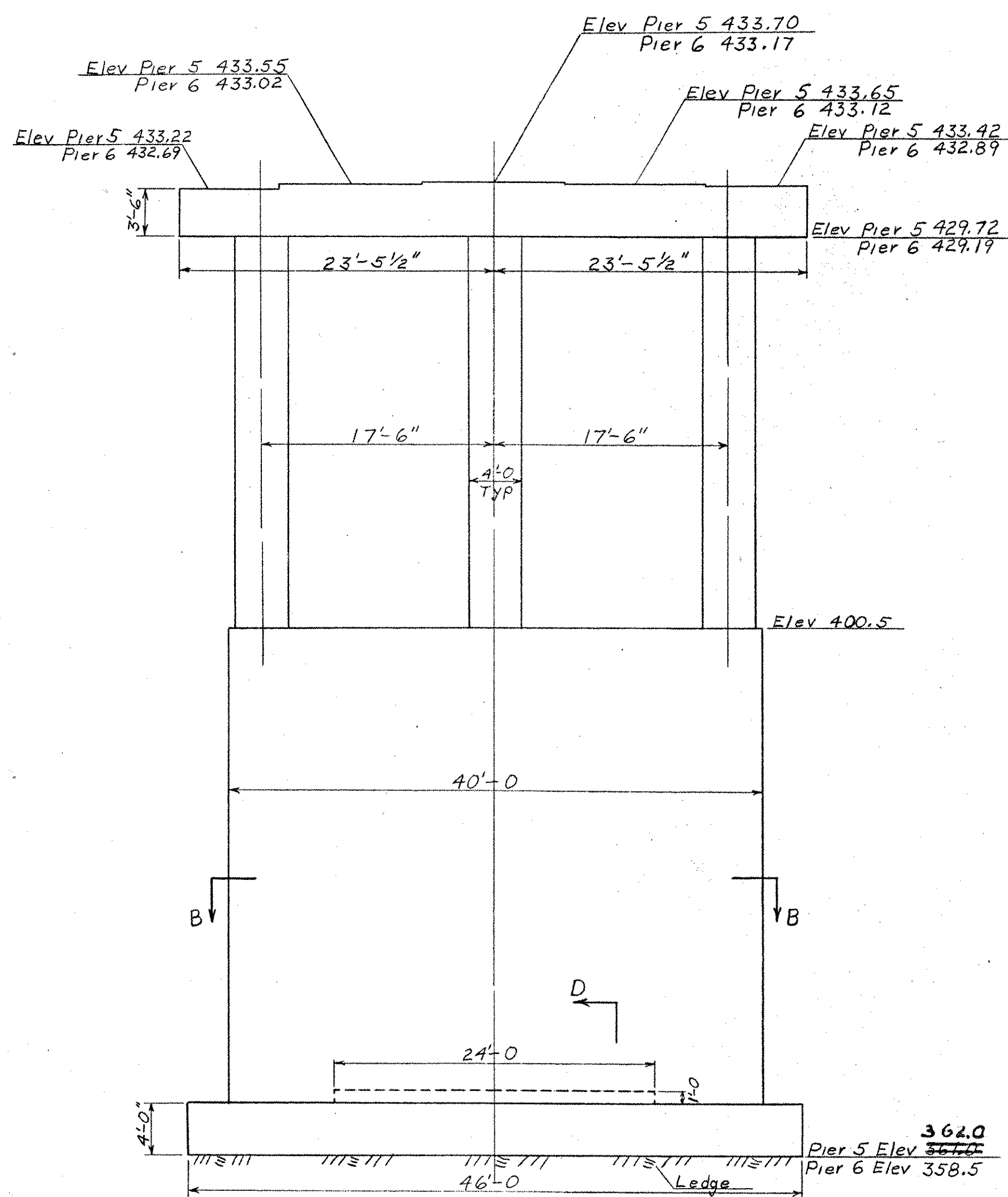
SEC F-F  
Scale: 1/2" = 1'-0"



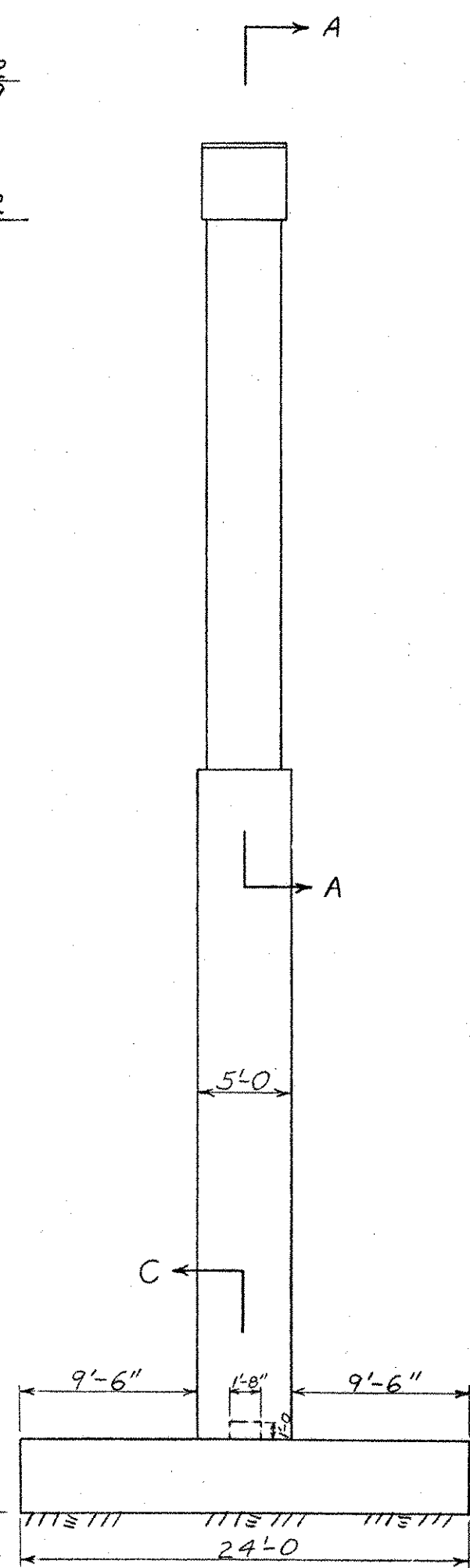
SEC F-F  
Scale: 1/2" = 1'-0"



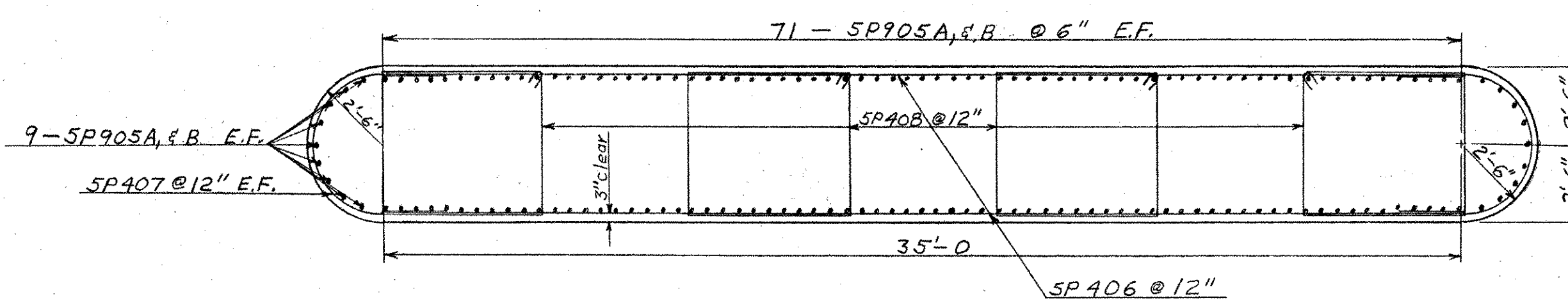
SEC A-A  
Scale 1/4" = 1'-0"



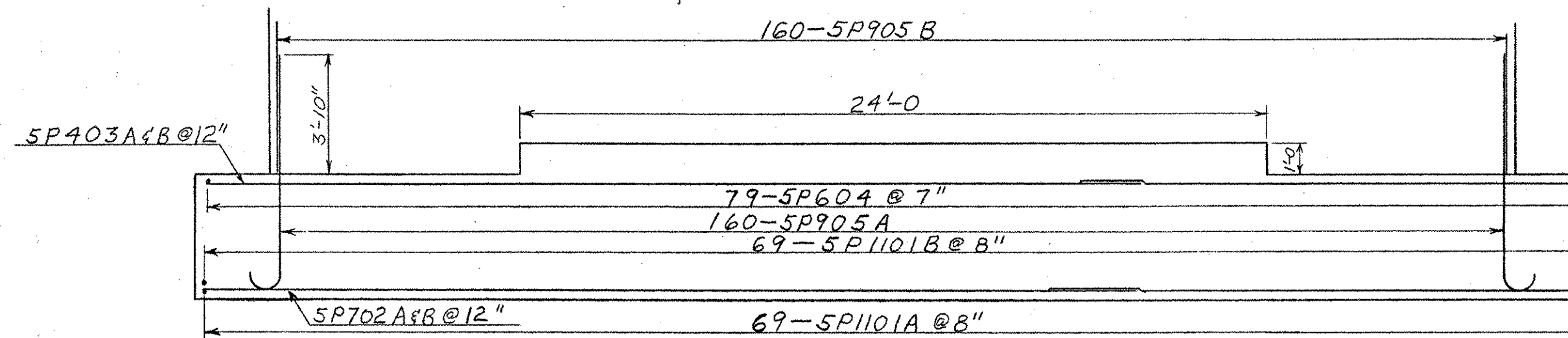
ELEVATION  
Scale 1/8" = 1'-0"



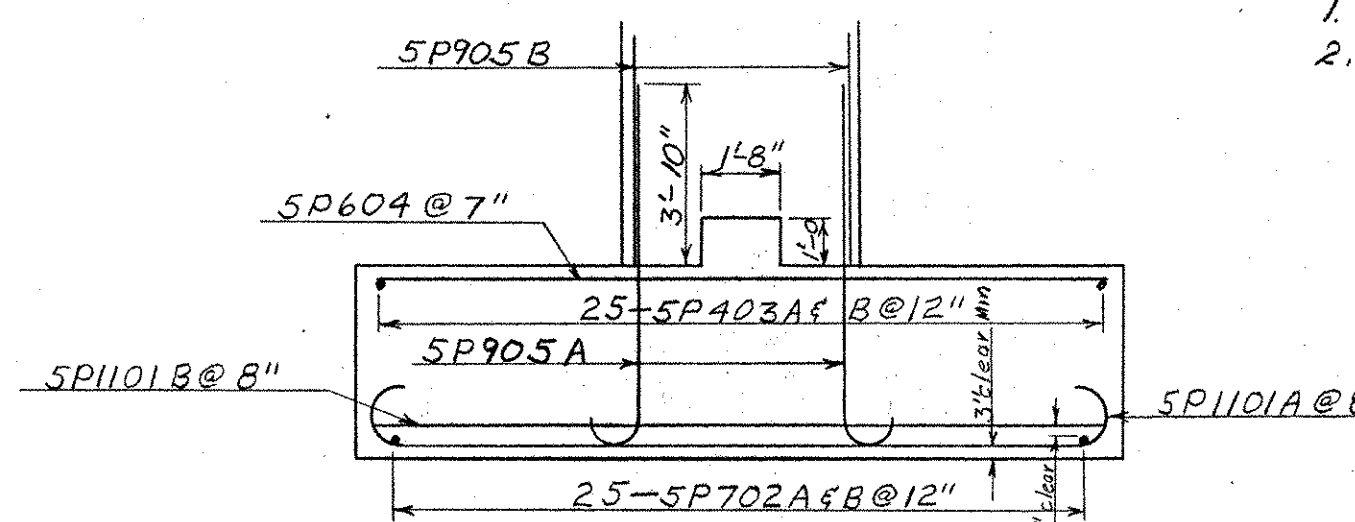
SIDE  
Scale 1/8" = 1'-0"



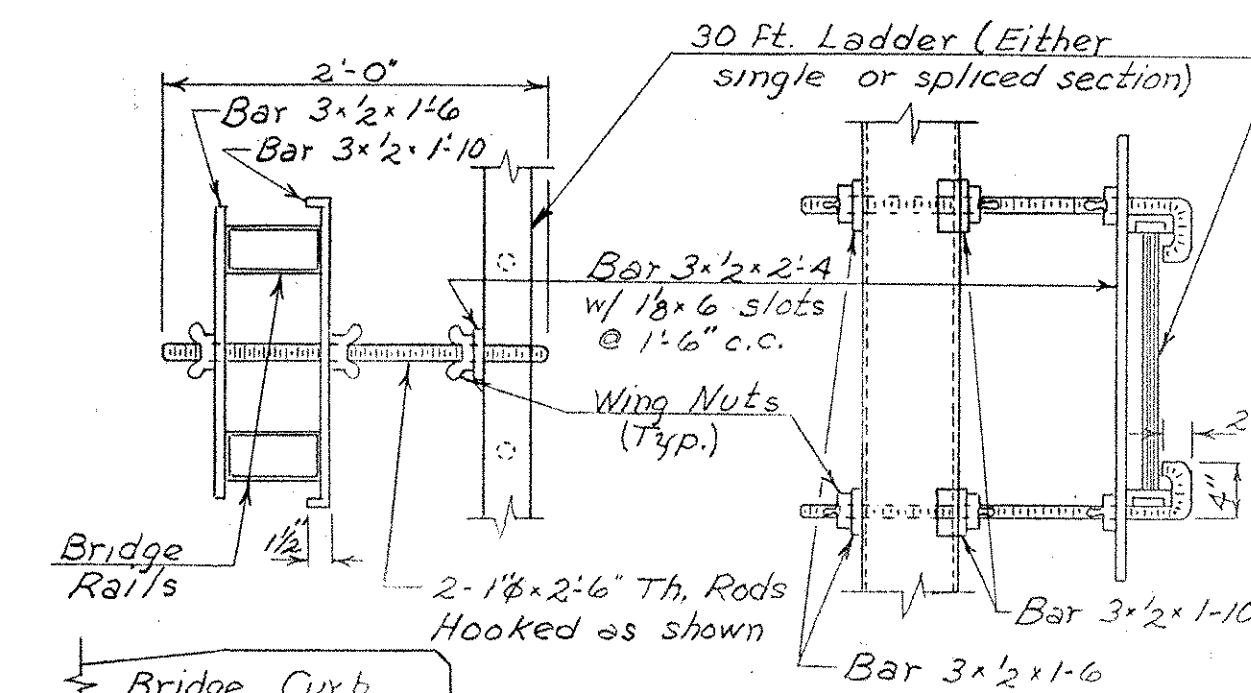
SEC B-B  
Scale 1/4" = 1'-0"



SEC C-C  
Scale 1/4" = 1'-0"

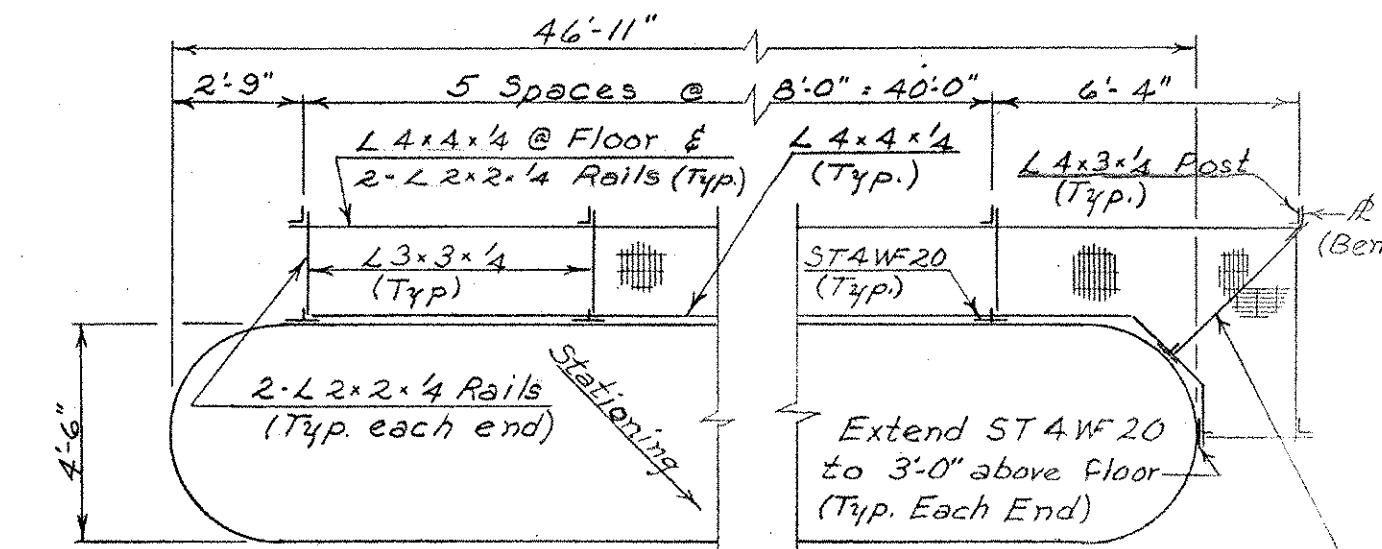


SEC D-D  
Scale 1/4" = 1'-0"



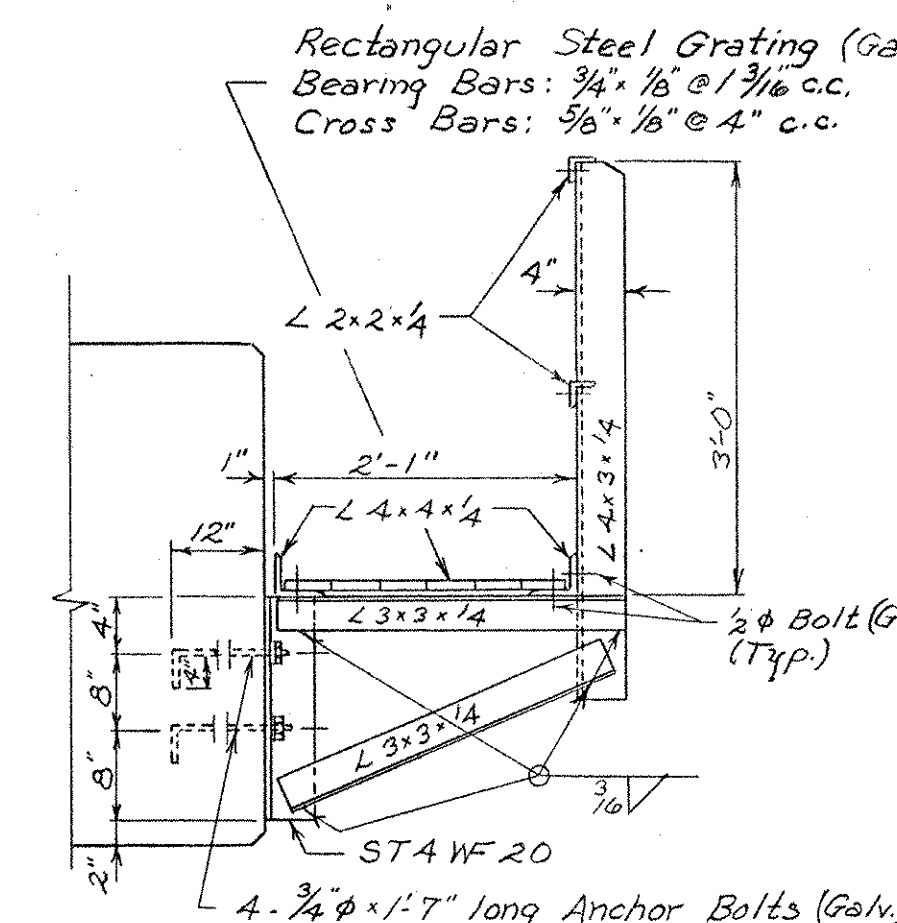
Elevation Scale: 1" = 1'-0" Plan

**Access Ladder and Attachment**  
Provide one (1) each, Ladder and Attachment. Ladder to be standard Aluminum or other approved lightweight alloy, attachment to be A-36 Steel.



Plan  
Scale: 1/4" = 1'-0"

Provide 1/8" shim fit to support grating



Typical Section  
Scale: 3/4" = 1'-0"

Elevation  
Scale: 3/4" = 1'-0"

**Pier Inspection Walkway Details**

All walkway members shall be ASTM A-36 steel, Galvanized after Fabrication to ASTM A-123. Walkways are required on Piers #1 thru #8, inc.

BR 120 of 128

STATE OF VERMONT  
DEPARTMENT OF HIGHWAYS

TOWN OF HARTFORD  
ROUTE NO. I 89 LOG STA. 369  
I 89 OVER WHITE RIVER, VT #14, CVRR  
PIER NO. 5 & 6

SCALE As Shown  
SURVEYED BY  
DRAWN BY AGC CHECKED BY RLO  
PROJECT NO. I 89-1(6)  
SHEET 28 OF 59 SHEET 70 OF 101

- Notes**
- For Pier Notes see Br. 118 of 128.
  - Pier # reinforcing steel similar to Pier 5 except mark is 6P... in lieu of 5P...

IR 089-1(13)  
This sheet for information only  
**BR 11 N & S**