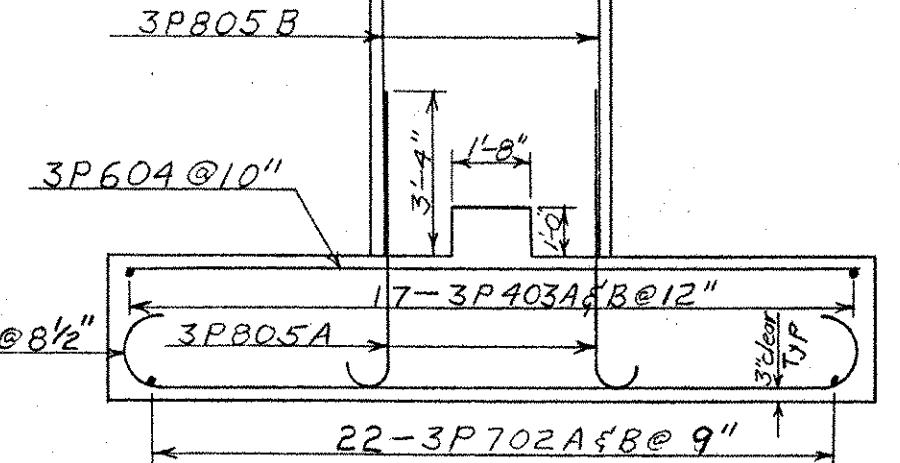
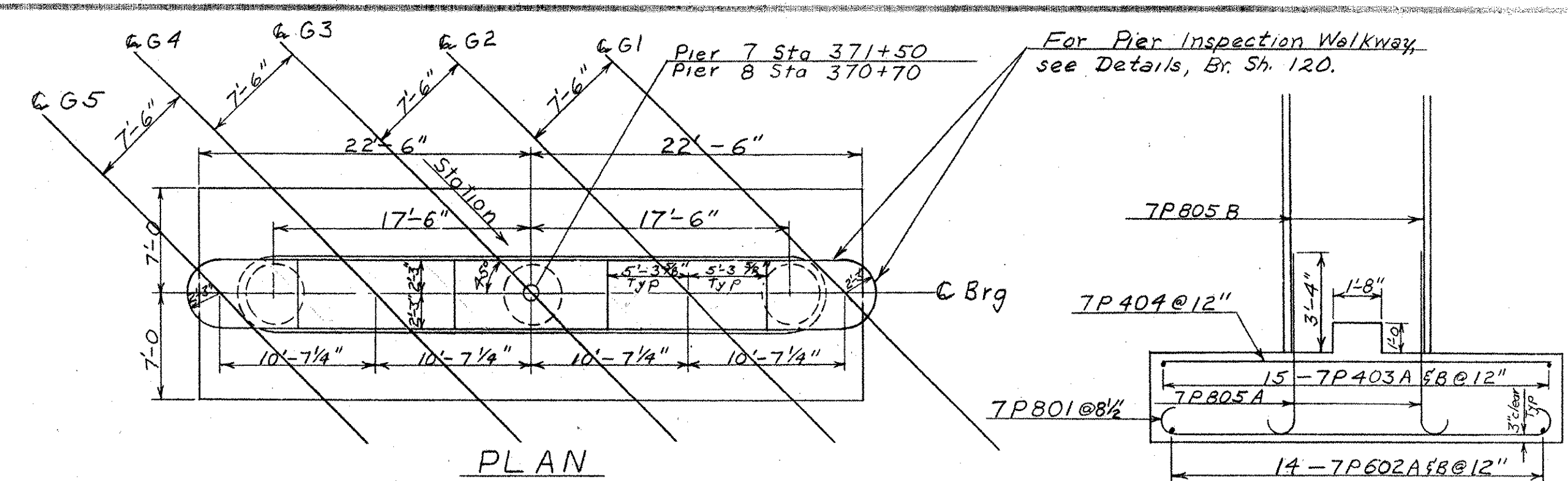


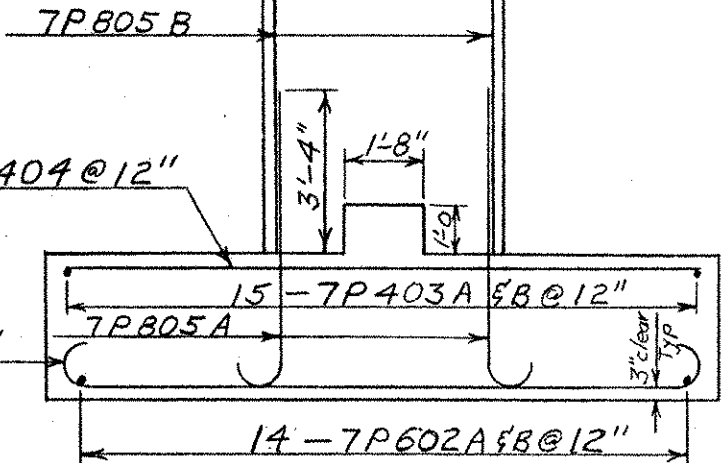
PLAN
Scale 1/8 in = 1 ft.



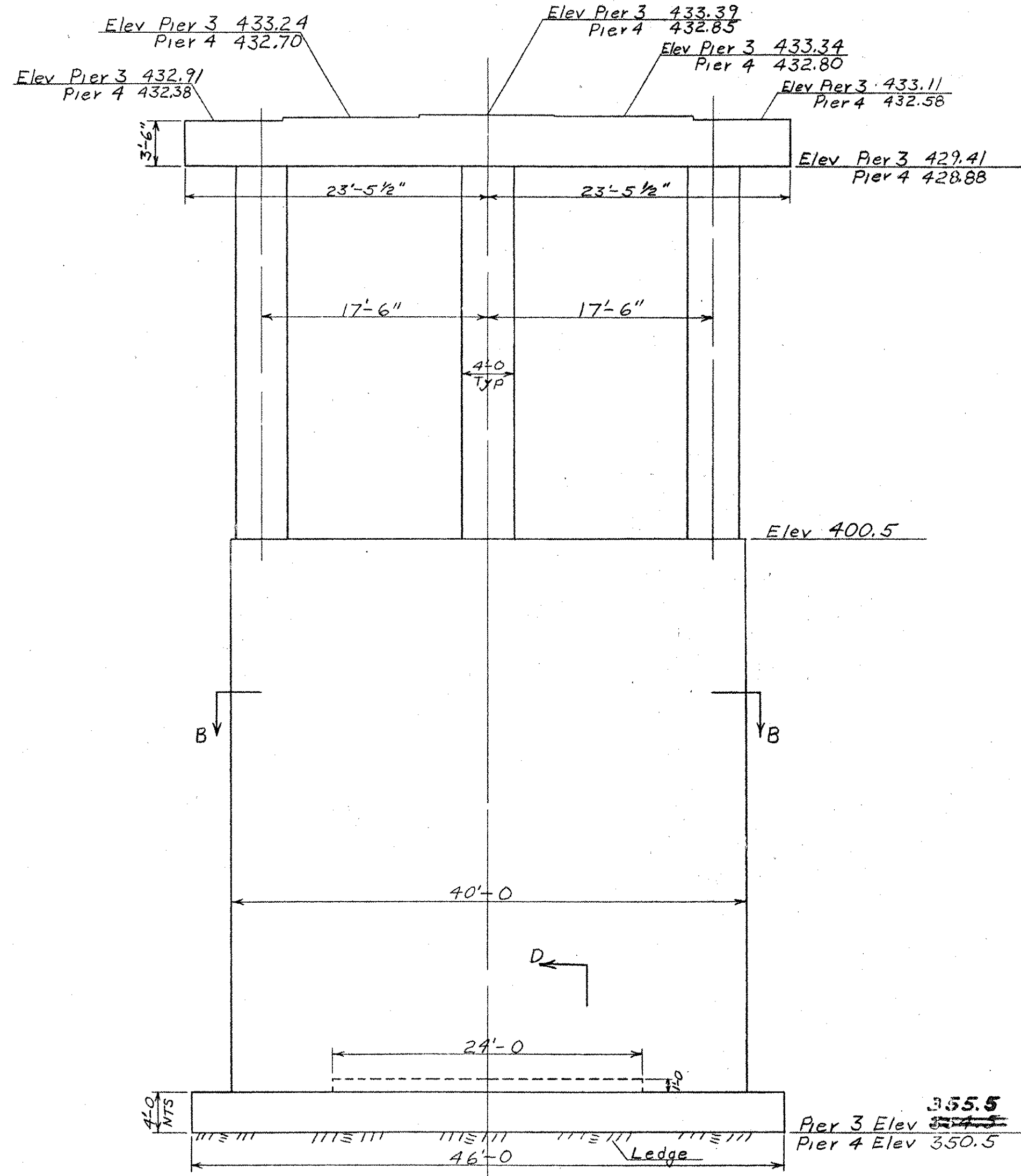
SEC D-D
Scale 1/4 in = 1 ft.



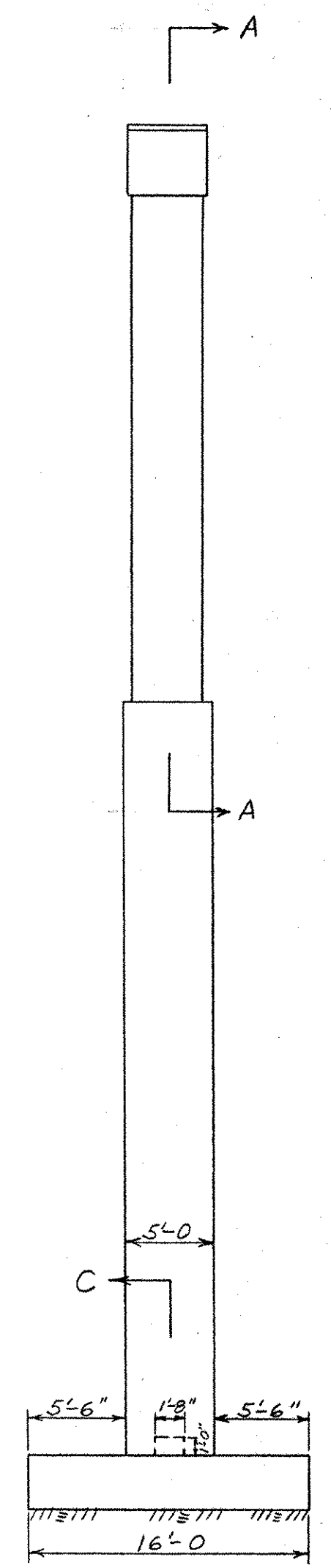
PLAN
Scale 1/8 in = 1 ft.



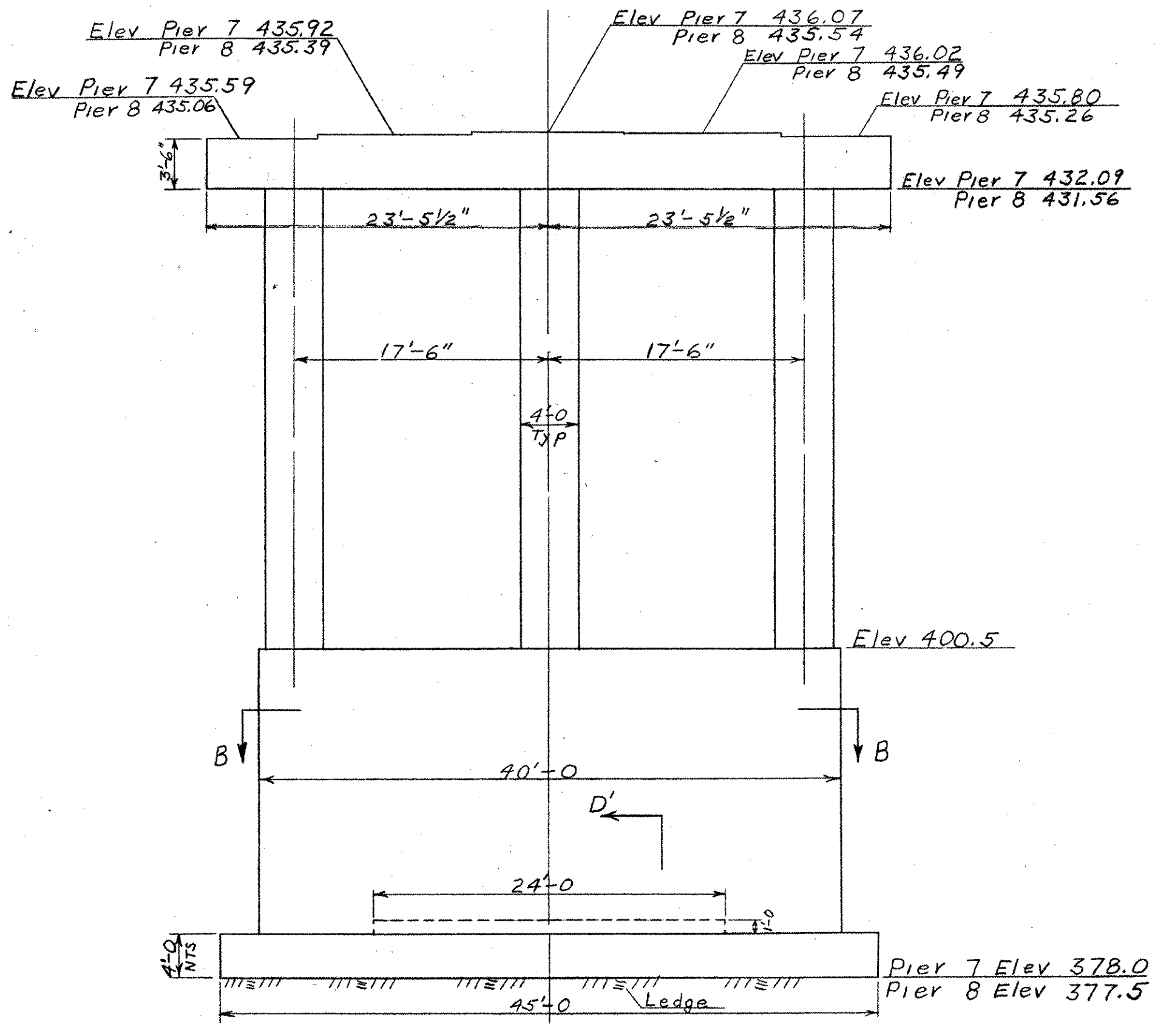
SEC D'-D'
Scale 1/4 in = 1 ft.



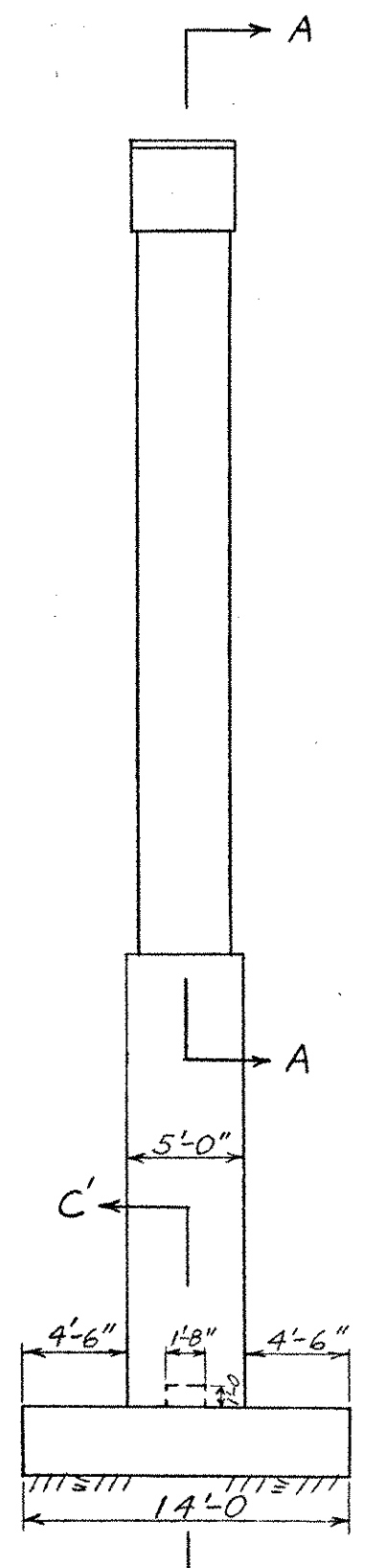
ELEVATION
Scale 1/8 in = 1 ft.



SIDE
Scale 1/8 in = 1 ft.

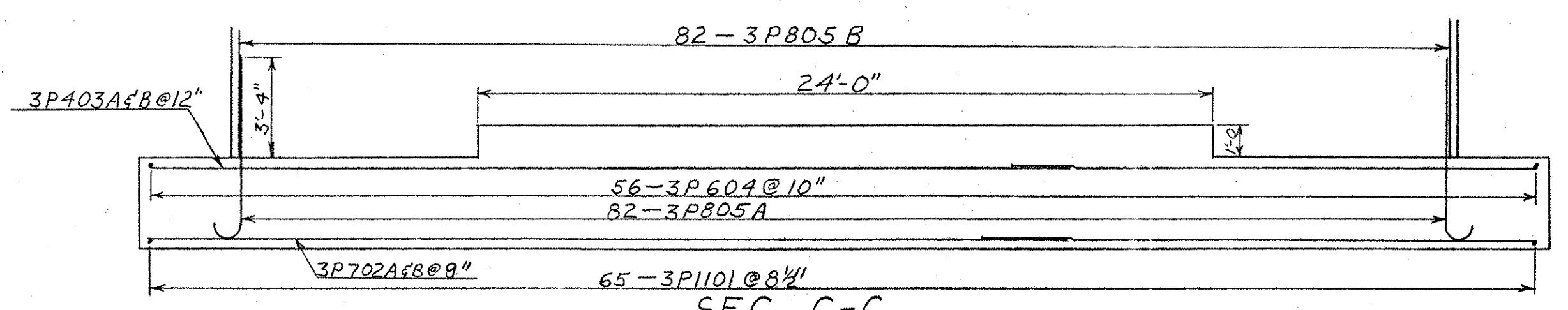


ELEVATION
Scale 1/8 in = 1 ft.

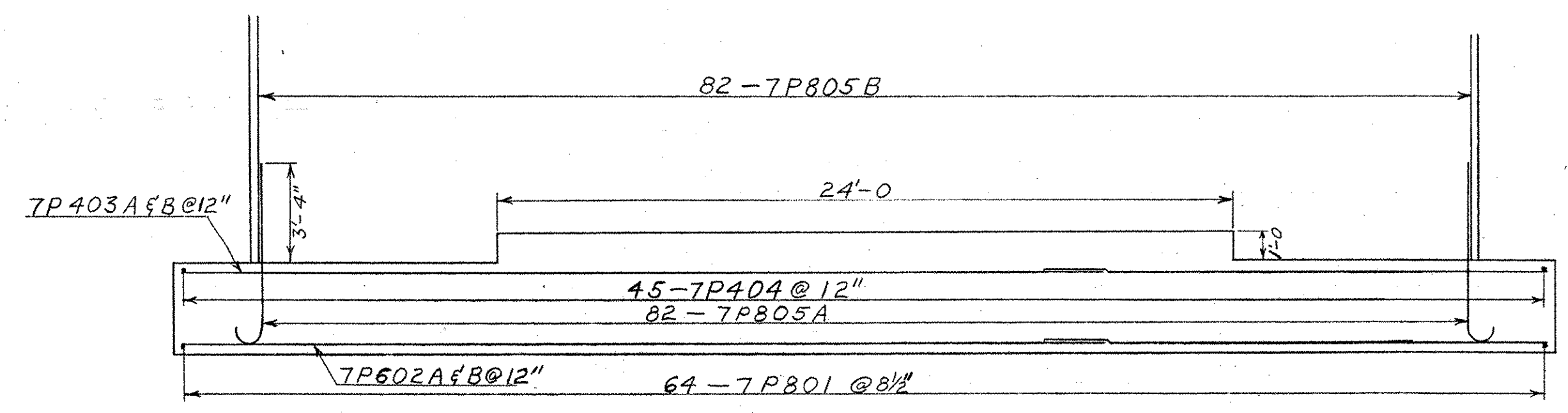


SIDE
Scale 1/8 in = 1 ft.

- NOTES:
1. For Pier notes see Br Sh 118 of 128
 2. For Sections A-A and B-B see Br Sh 118 of 128, reinforcing steel similar except mark is 3P, 4P, 7P or 8P in lieu of 1P.
 3. Footing reinforcing steel for Pier 4 #8 similar to Pier 3 #7 respectively except mark is 4P and 8P in lieu of 3P and 7P.
 4. The #P805C bar is omitted on Pier 7 & 8



SEC C-C
Scale 1/4 in = 1 ft.
PIER NO. 3 & 4



SEC C'-C'
Scale 1/4 in = 1 ft.
PIER NO. 7 & 8

IR 089-1(13)
This sheet for information only
BR 11 N & S

BR 119 OF 128

STATE OF VERMONT
DEPARTMENT OF HIGHWAYS

TOWN OF HARTFORD
ROUTE No. I-89 LOG STA. 369
I 89 OVER WHITE RIVER, VT #14, CVRR
PIER NO. 3, 4, 7, & 8
SCALE As Shown
SURVEYED BY _____
DRAWN BY AGC CHECKED BY RLO
PROJECT No. I 89-1(6)
SHEET 27 OF 59 SHEET 69 OF 101