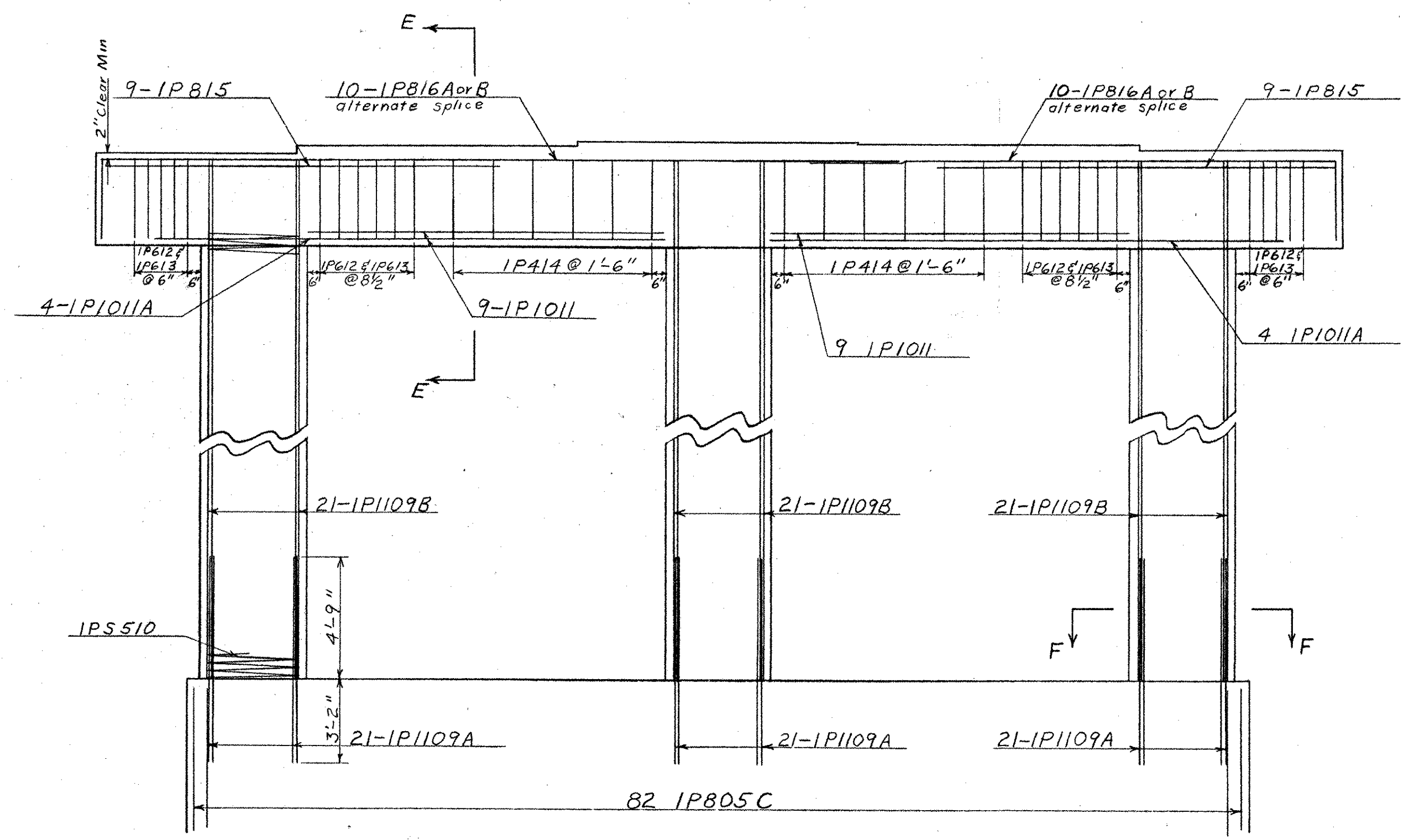
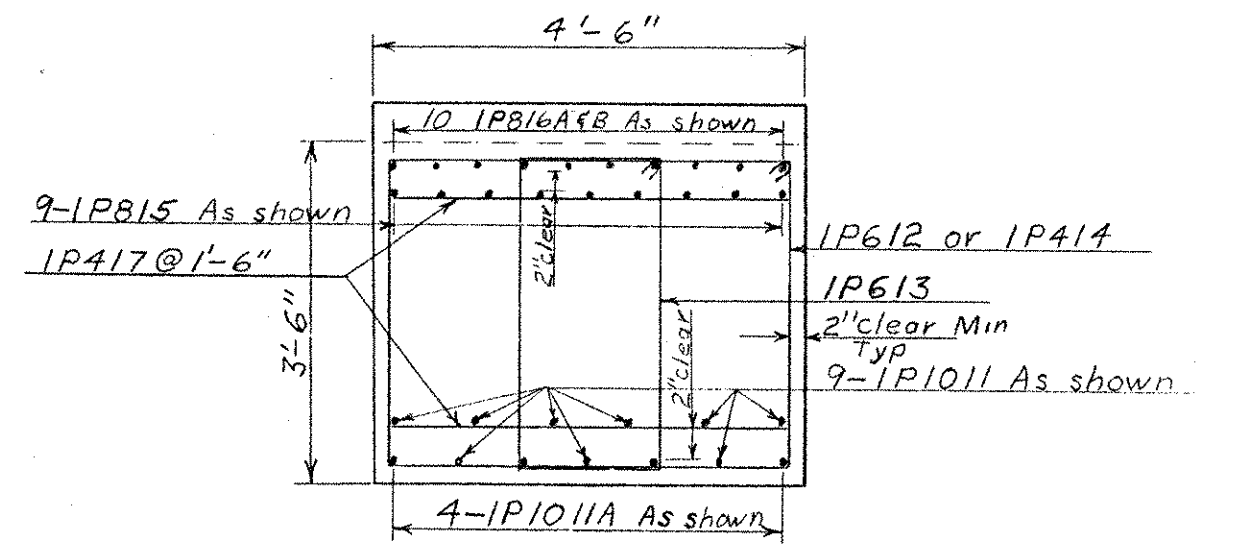


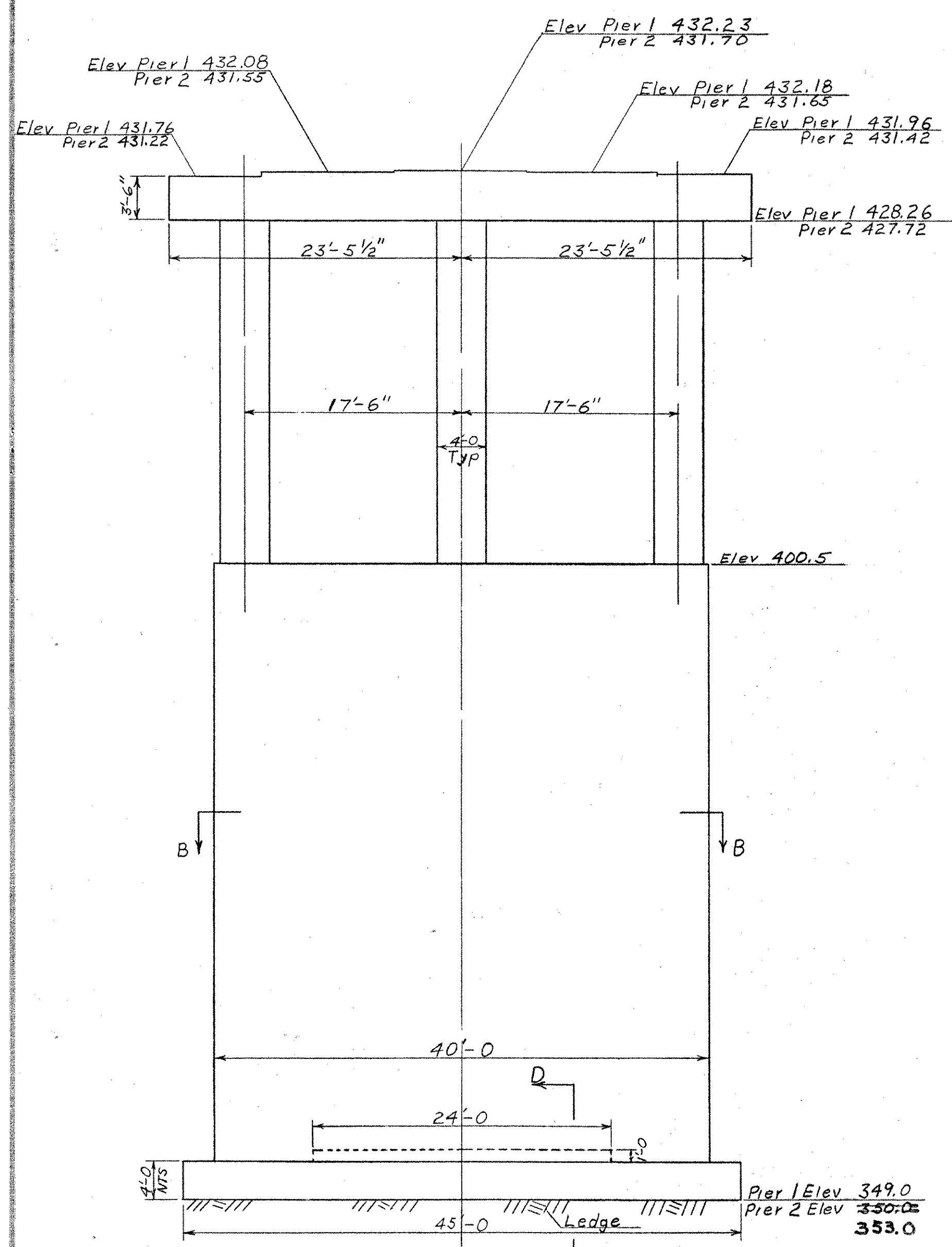
PLAN
Scale 1/8 in = 1 ft



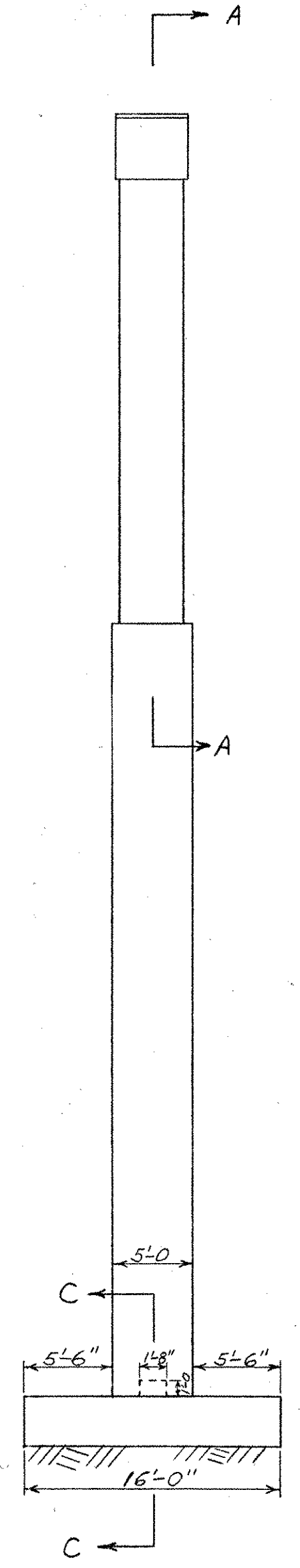
SEC A-A
Scale 1/4 in = 1 ft



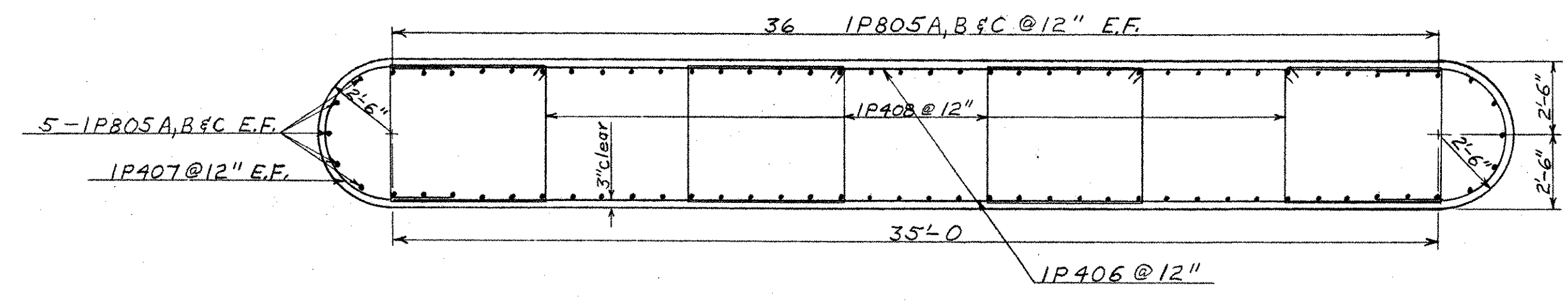
SEC E-E
Scale 1/2 in = 1 ft



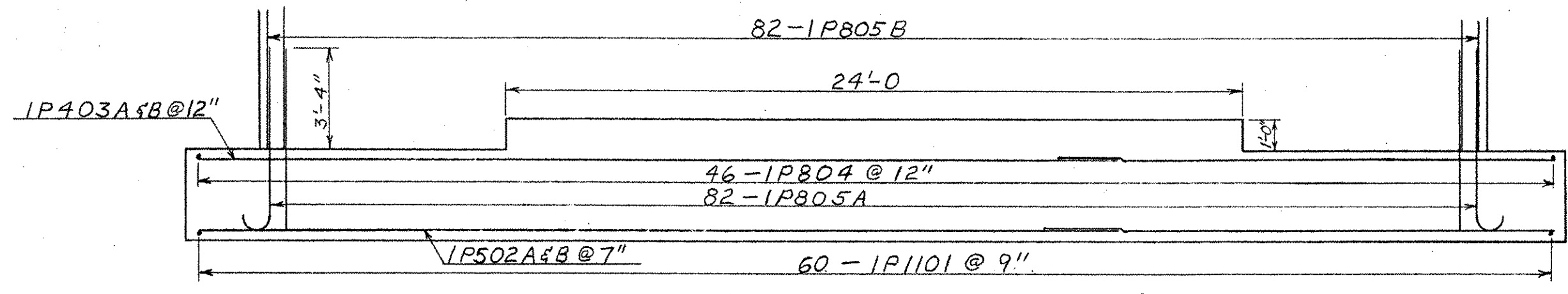
ELEVATION
Scale 1/8 in = 1 ft



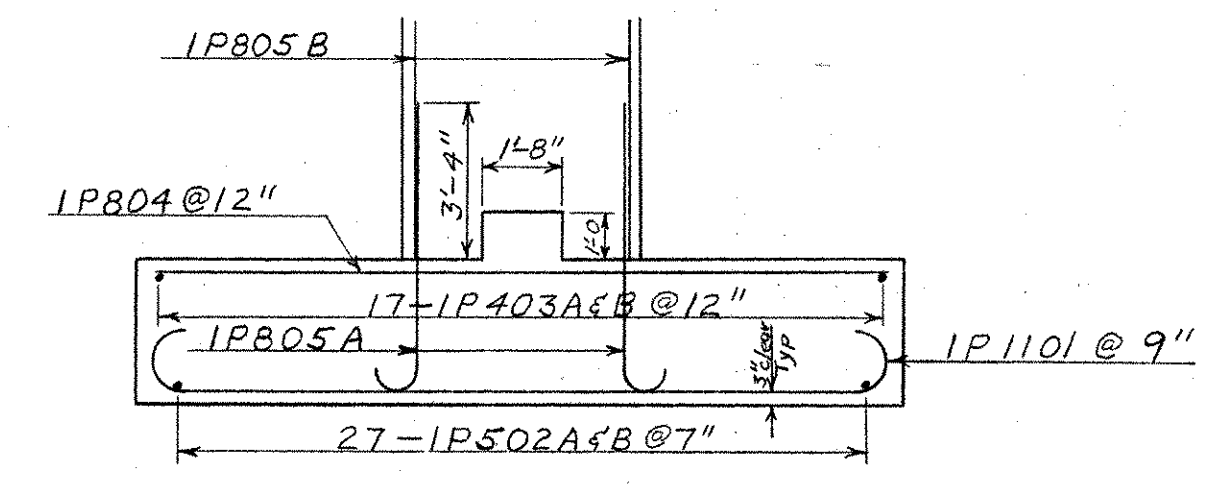
SIDE
Scale 1/8 in = 1 ft



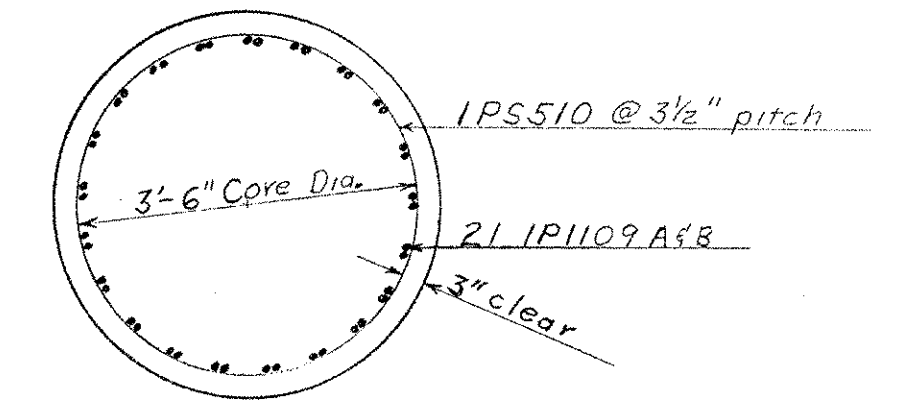
SEC B-B
Scale 1/4 in = 1 ft



SEC C-C
Scale 1/4 in = 1 ft



SEC D-D
Scale 1/4 in = 1 ft



SEC F-F
Scale 1/2 in = 1 ft

- NOTES:
1. For general notes see Std Sht SCB-DI-65 & Br 100 of 128
 2. All Spiral Reinforcement shall conform to AASHTO Designation M 32-60 Cold Drawn Steel Wire for Concrete Reinforcement and shall be paid for under Item 402 Reinforcing Steel.
 3. Pier 2 reinforcing steel similar to Pier 1 except mark is 2P in lieu of 1P.
 4. Maximum footing pressure is 10 kips per sq. ft.
 5. All footings shall be set on sound ledge.
 6. The ledge under the footing shall be roughened such that no ledge shall project above the elevation of the bottom of the footing indicated on the plans.

IR 089-1(13)
This sheet for information only
BR 11 N & S

BR 118 of 128

STATE OF VERMONT
DEPARTMENT OF HIGHWAYS

TOWN OF HARTFORD
ROUTE NO. I-89 LOG STA. 369
I 89 OVER WHITE RIVER, VT #14, CVRR
PIER NO. 1 & 2

SCALE As Shown
SURVEYED BY _____
DRAWN BY AGC CHECKED BY RLO
PROJECT NO. I 89-1(6)
SHEET 26 OF 59 SHEET 68 OF 101