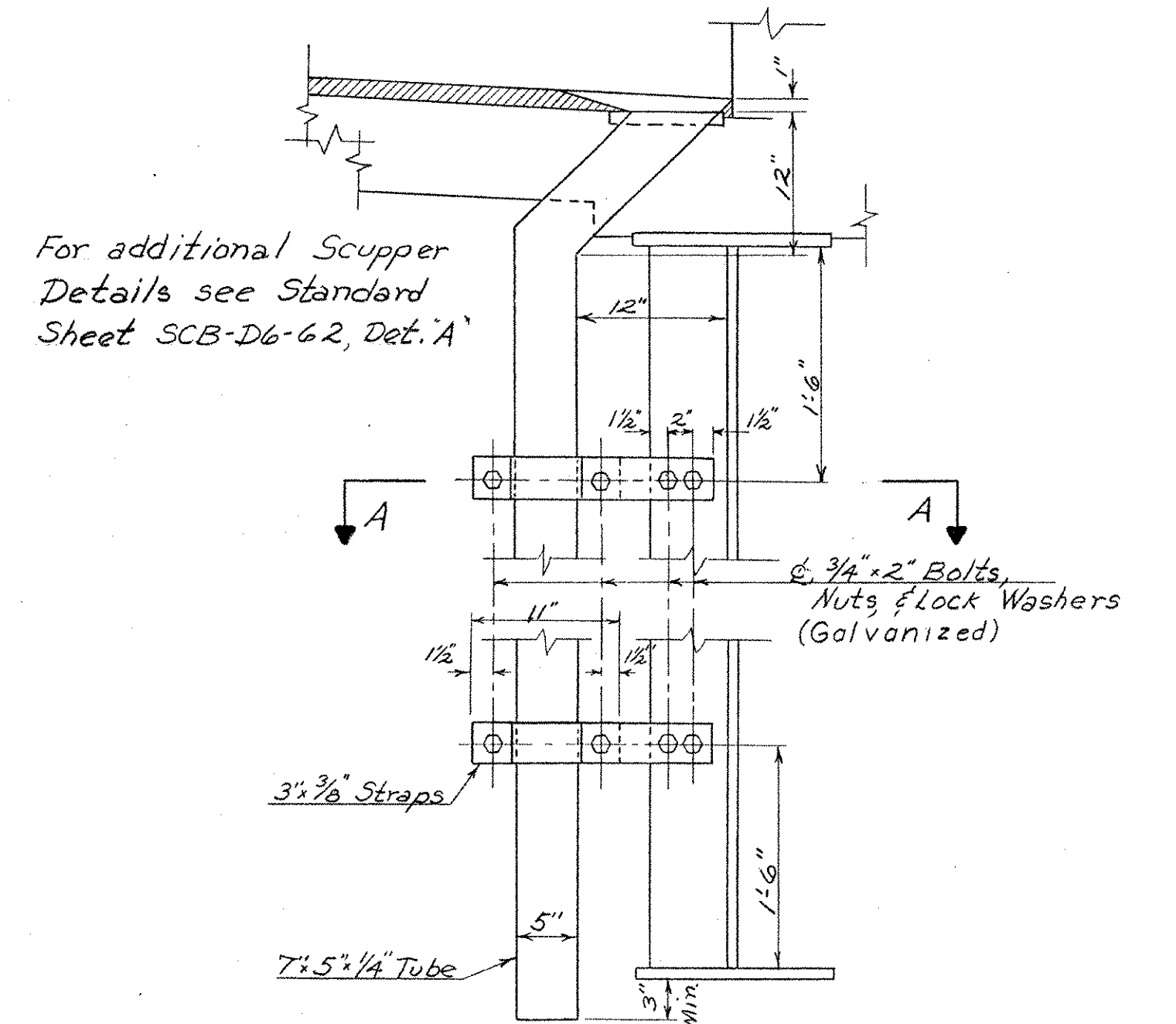


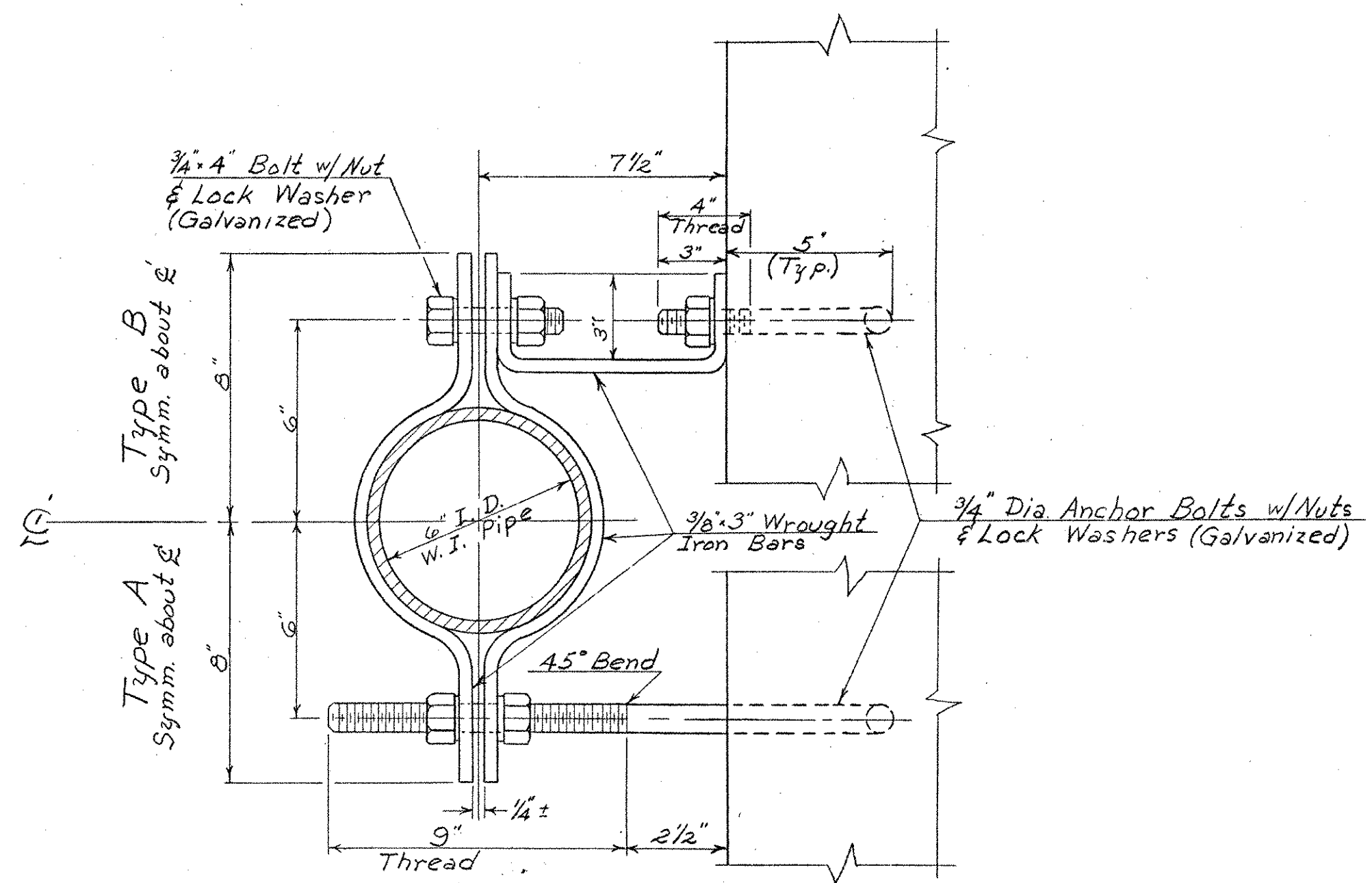
Finger Plate Details
Scale: 3" = 1'-0"



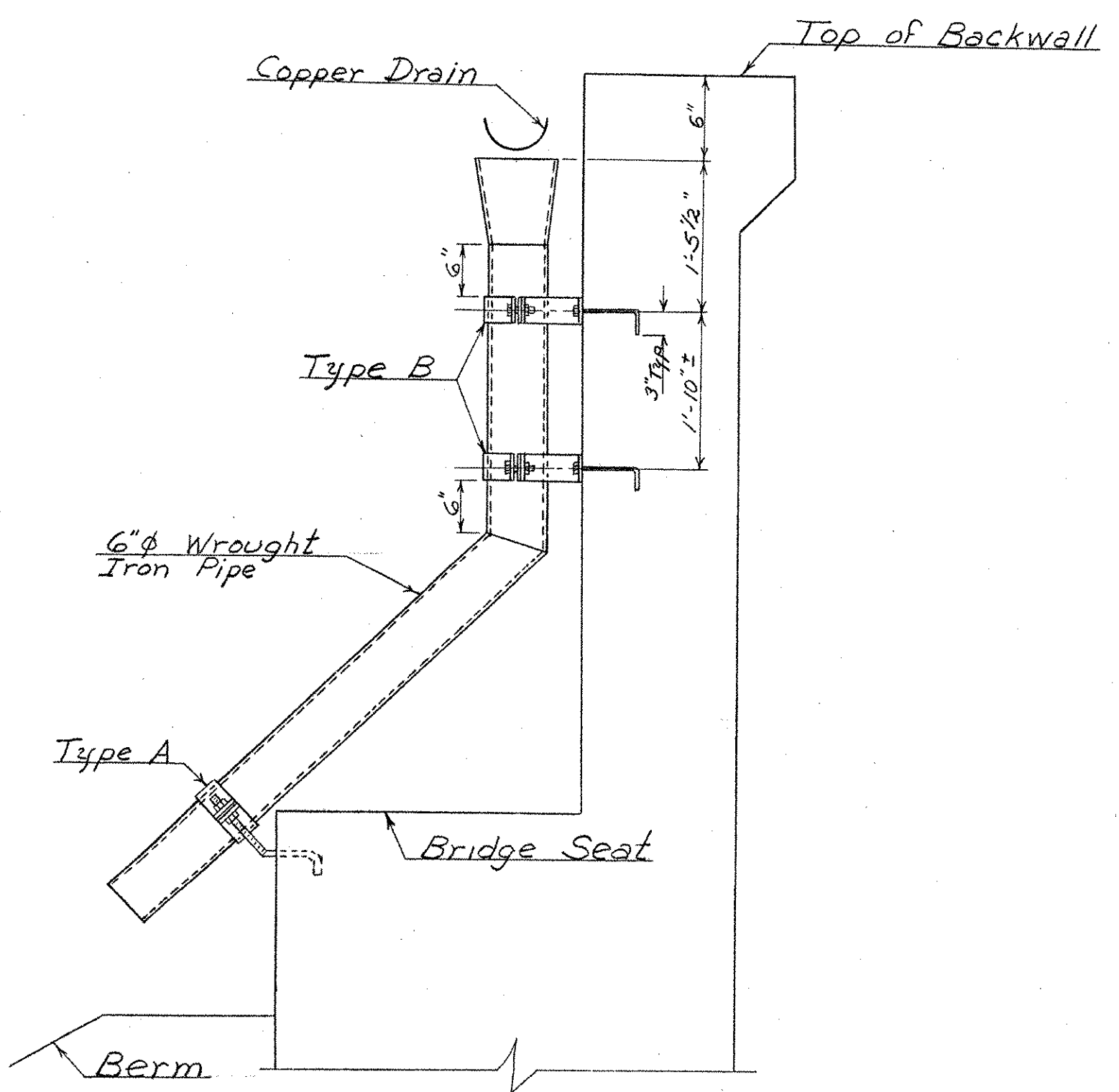
For additional Scupper Details see Standard Sheet SCB-D6-62, Det. A

Scupper Detail
Scale: 1" = 1'-0"

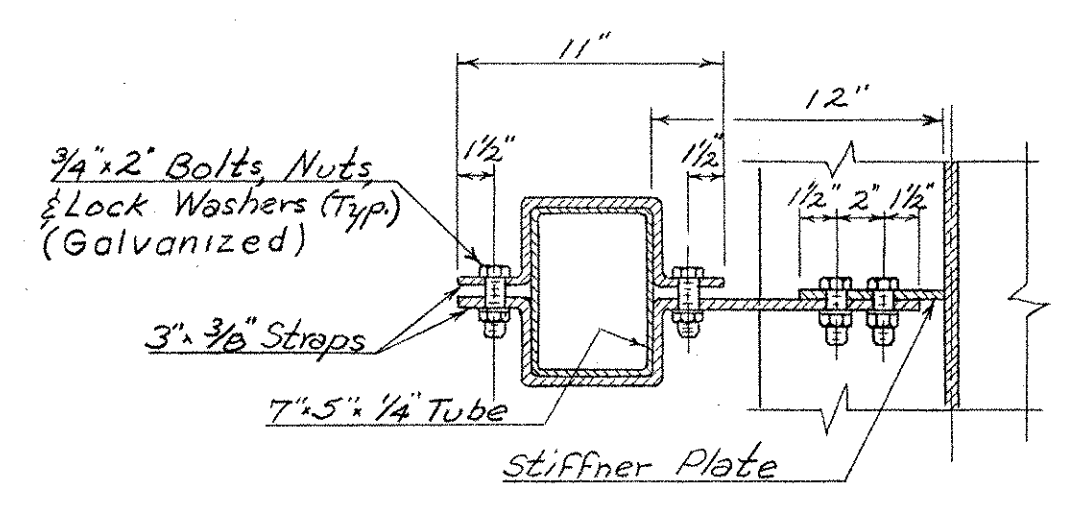
For location of Scuppers see Br. 100



Clamp Detail
Scale: 3" = 1'-0"



Drainage Pipe at Expansion Dam
Scale: 3/4" = 1'-0"



Section A-A
Scale: 1 1/2" = 1'-0"

ITEM NO.	ITEM	UNIT	NET	TOTAL	FINAL
	CHAN. EXCAV. OF EARTH	C. Y.			
	CHAN. EXCAV. OF ROCK	C. Y.			
	UNCLASS. CHAN. EXCAV.	C. Y.			
	STRUCT. EXCAV.	C. Y.			
	CONC. CLASS AA (MOD.)	C. Y.			
	CONC. CLASS B (MOD.)	C. Y.			
	REINF. STEEL	LBS.			
	ASPHALTIC-ASB. COATING	S. Y.			
	TREATED TIMBER PILING	L. F.			
	SPLICES FOR STEEL PILING	EA.			
	STEEL PILING	L. F.			
	UNTREATED TIMBER PILING	L. F.			

IR 089-1(13)
This sheet for information only
BR 11 N & S

Br. 113 of 128

STATE OF VERMONT
DEPARTMENT OF HIGHWAYS

Town of Hartford
Road No. I 89 Bridge No.
I 89 over White River, Vt. 14 & CVRR
Finger Plate, Drain Pipe, & Scupper Details
Scale As noted

SURVEYED BY
DRAWN BY WBT CHECKED BY RLO
PROJECT NO. I 89-1(6)
SHEET 21 OF 59 SHEET 63 OF 101