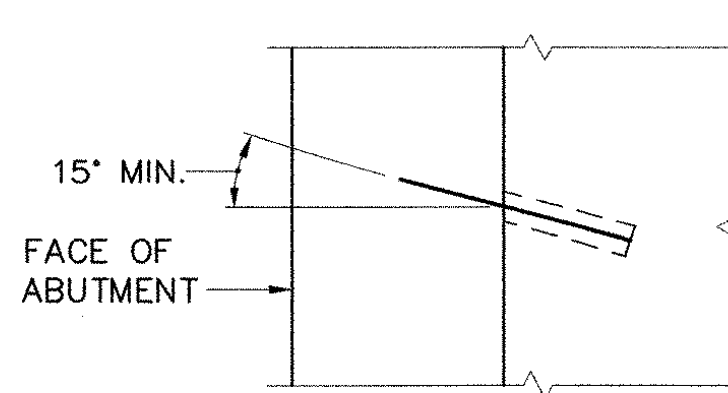
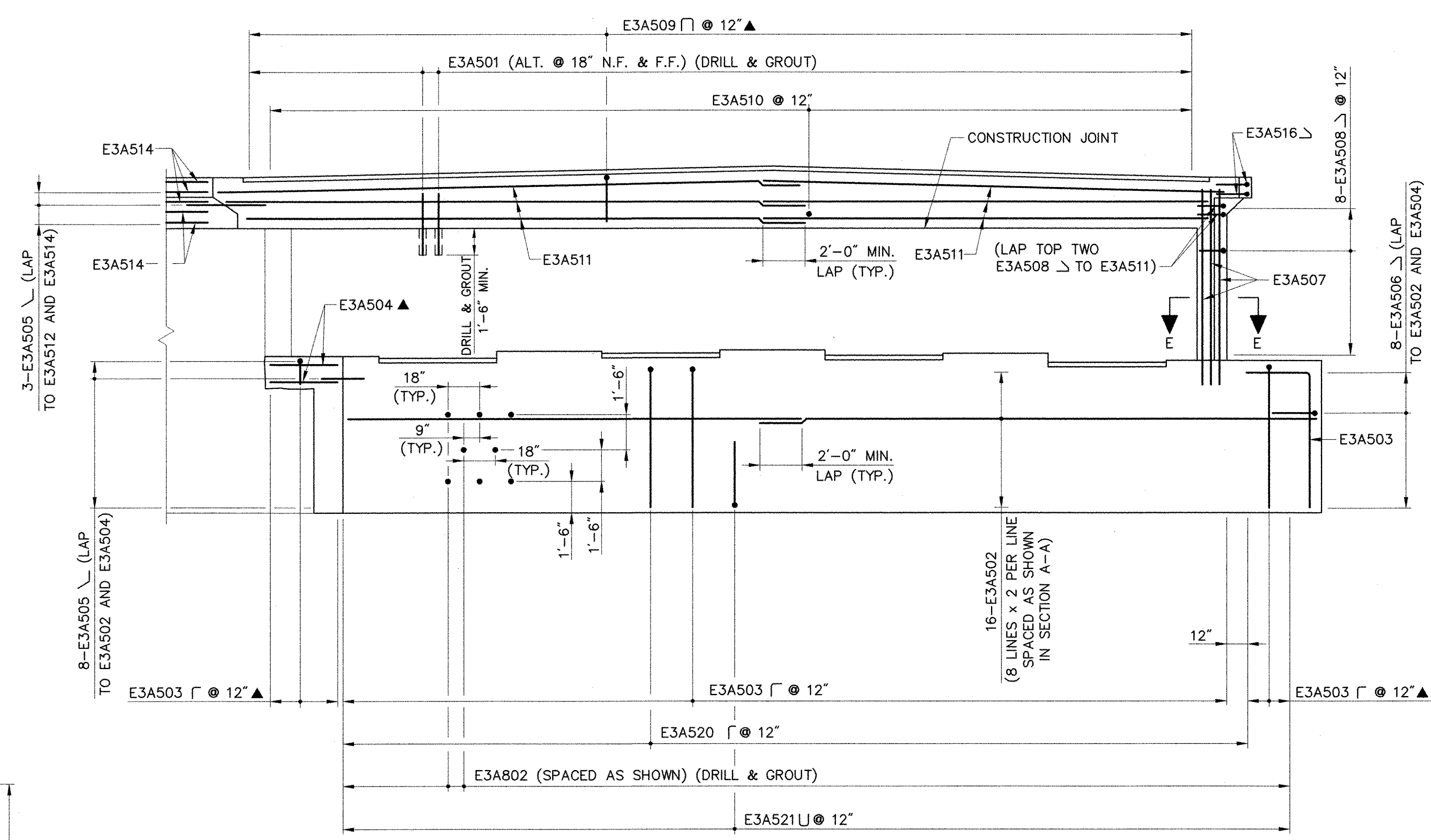


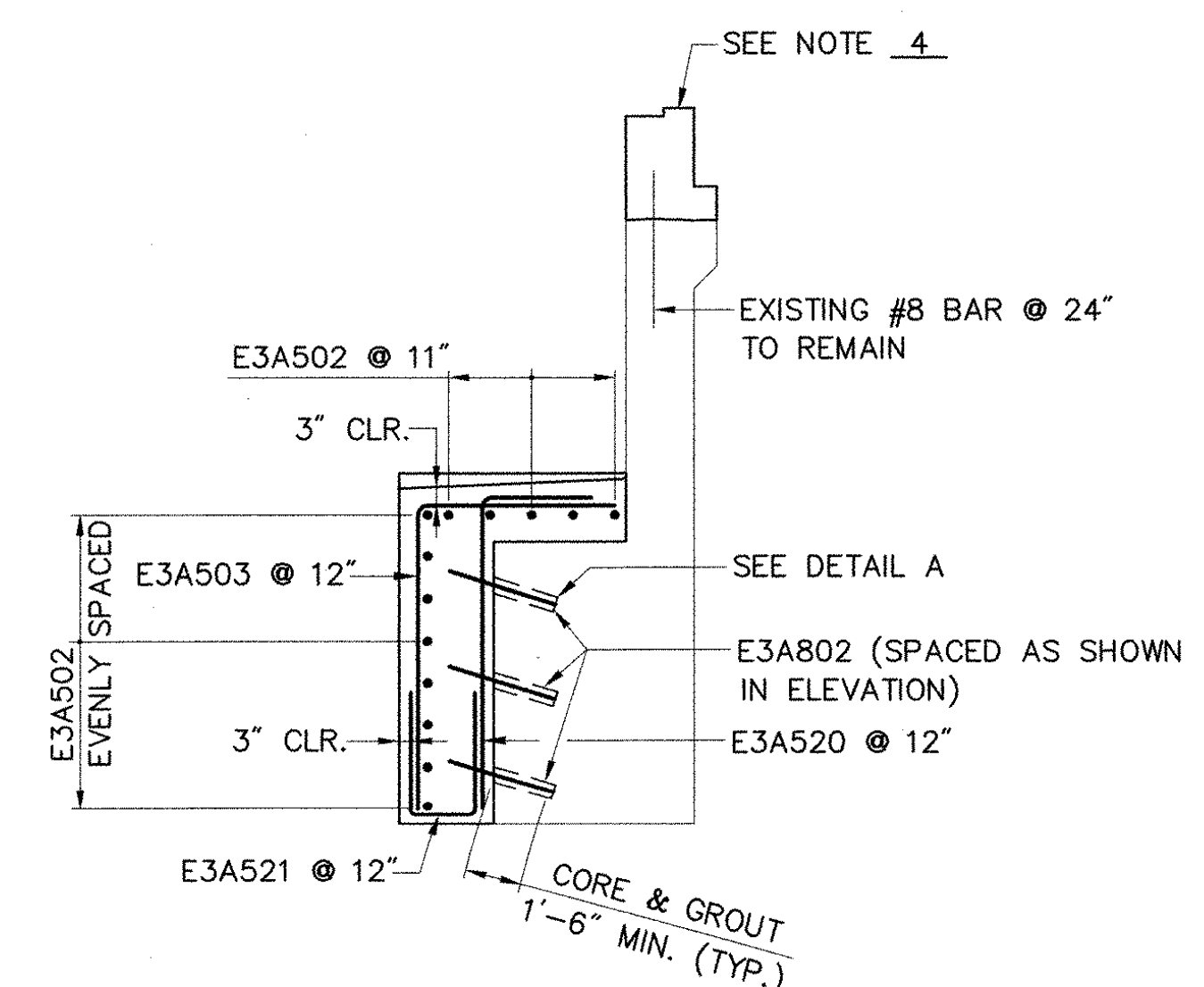
PLAN
SCALE: 1/4" = 1'-0"



DETAIL A
N.T.S.



ELEVATION (NORMAL TO BACKWALL)
SCALE: 1/4" = 1'-0"



SECTION A-A
SCALE: 1/4" = 1'-0"

- KEY:**
- N.F. - NEAR FACE
 - F.F. - FAR FACE
 - E.F. - EACH FACE
 - ▲ - DENOTES BARS TO BE CUT IN FIELD

- NOTES:**
1. FOR TOP OF WINGWALL ELEVATIONS SEE TABLE ON SHEET 33.
 2. FOR DETAILS OF VIEW B-B, SECTION C-C, SECTION D-D, AND SECTION E-E, SEE SHEET 33.
 3. DRILLING AND GROUTING OF DOWELS SHALL BE PAID UNDER ITEM 507.16, "DRILLING AND GROUTING DOWELS".
 4. FOR DETAILS OF REINFORCEMENT IN BACKWALL, SEE BACKWALL/ APPROACH SLAB REINFORCEMENT DETAIL ON SHEET 32.

STATE OF VERMONT AGENCY OF TRANSPORTATION	
Town Of HARTFORD	Bridge No. 11S
Highway No. I-89 SB	Log Sta. Surv. Sta.
I-89 SB OVER WHITE RIVER, VT 14 & NECR	
ABUTMENT 3 REINFORCEMENT	
Designed By S.M. HODGDON	Drawn By B.J. MASSE
Checked By T.S. BRYANT	Date 9/98
Bridge Design Supervisor C.D. BAKER	Date 9/98
PROJECT HARTFORD	PROJECT NO. IR 089-1(13)
VHB Cad Filename 50699A3R	
Bridge Sheet No. 30	Sheet 30 of 101

VANASSE HANGEN BRUSTLIN, INC.