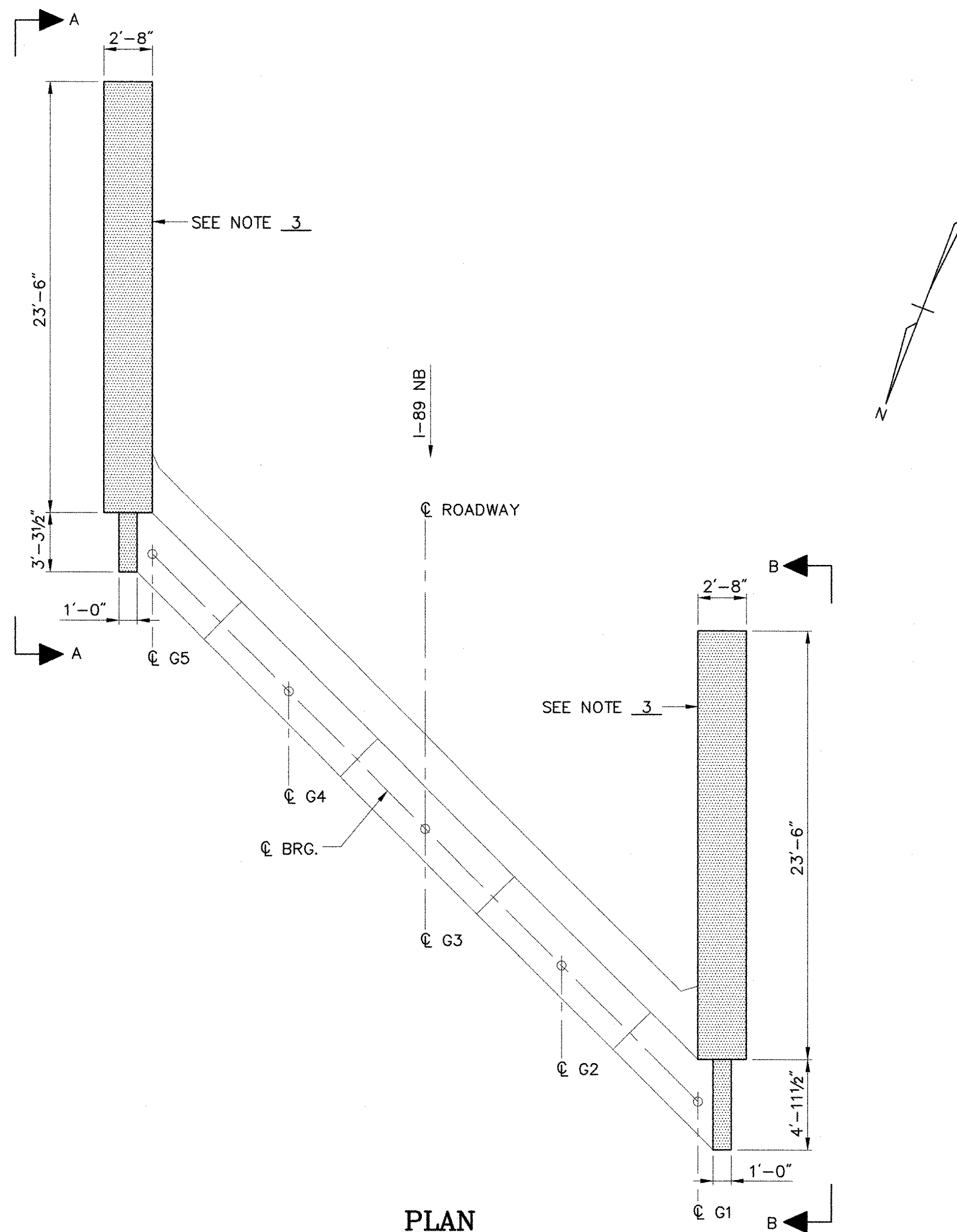


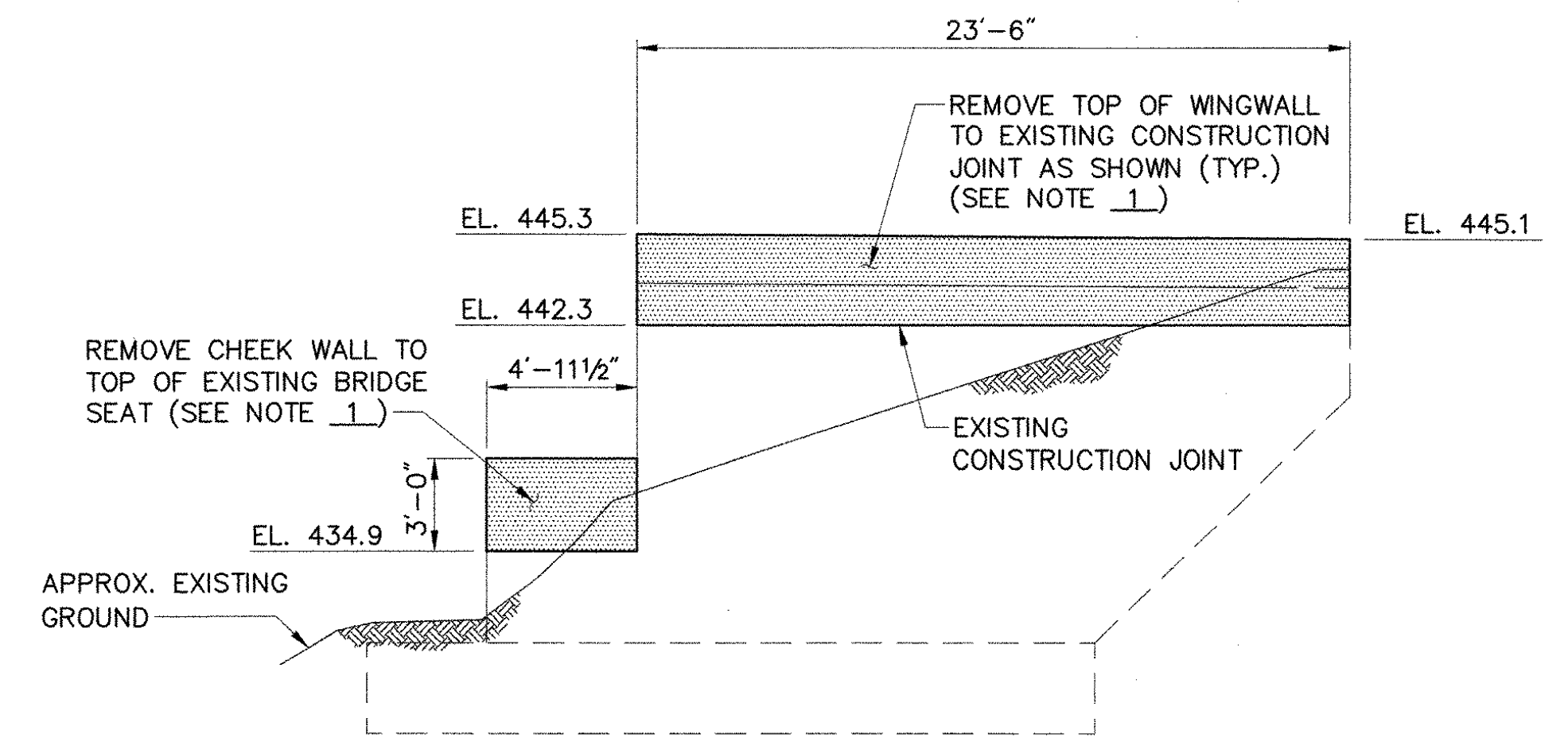
VIEW A-A

SCALE: 3/16" = 1'-0"



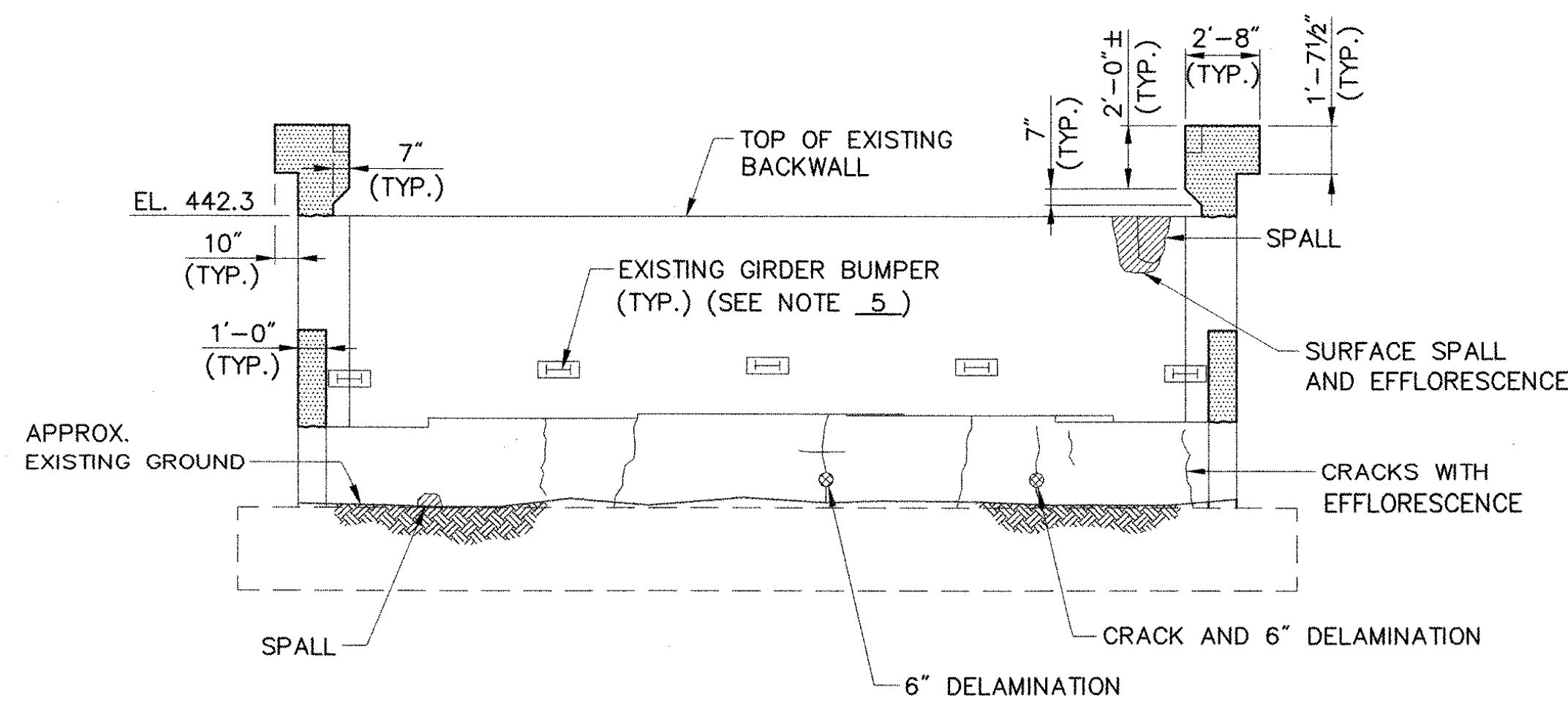
PLAN

SCALE: 3/16" = 1'-0"



VIEW B-B

SCALE: 3/16" = 1'-0"



ELEVATION

SCALE: 3/16" = 1'-0"

- KEY:**
- DELAMINATED AREAS
 - SPALLED AREAS
 - MASONRY REMOVAL

- NOTES:**
1. ALL EXISTING VERTICAL REINFORCING STEEL IN WINGWALLS AND CHEEK WALLS SHALL BE RETAINED. CUT EXISTING REINFORCING STEEL TO FIT PROPOSED BRIDGE SEAT AND WINGWALL CONFIGURATION. SEE SHEET 32 FOR TYPICAL WINGWALL MASONRY RECONSTRUCTION DETAIL.
 2. REMOVAL OF WINGWALL AND CHEEKWALL MASONRY, SHALL BE PAID AS ITEM 529.20, "PARTIAL REMOVAL OF STRUCTURE". EXCAVATION AND BACKFILLING OF EXISTING GROUND REQUIRED TO PERFORM THIS WORK SHALL BE INCLUDED IN ITEM 529.20.
 3. SEE TYPICAL WINGWALL MASONRY REMOVAL DETAIL ON SHEET 32.
 4. SEE SHEET 22 FOR EXISTING SUBSTRUCTURE CONCRETE REPAIR DETAILS.
 5. ALL EXISTING GIRDER BUMPERS SHALL BE CLEANED AND PAINTED.

**STATE OF VERMONT
AGENCY OF TRANSPORTATION**

Town Of	HARTFORD	Bridge No.	11N
Highway No.	1-89 NB	Log Sta.	
		Surv. Sta.	
1-89 NB OVER WHITE RIVER, VT 14 & NECR			
ABUTMENT 2 REMOVAL & REPAIR AREAS			
Designed By	S.M. HODGDON	Drawn By	B.J. MASSE
Checked By	T.S. BRYANT	Date	9/98
		Bridge Design Supervisor	C.D. BAKER Date 9/98
PROJECT	HARTFORD	PROJECT NO.	IR 089-1(13)
VHB Cad Filename	50699AB2		
Bridge Sheet No.	24	Sheet	24 of 101

VANASSE HANGEN BRUSTLIN, INC.