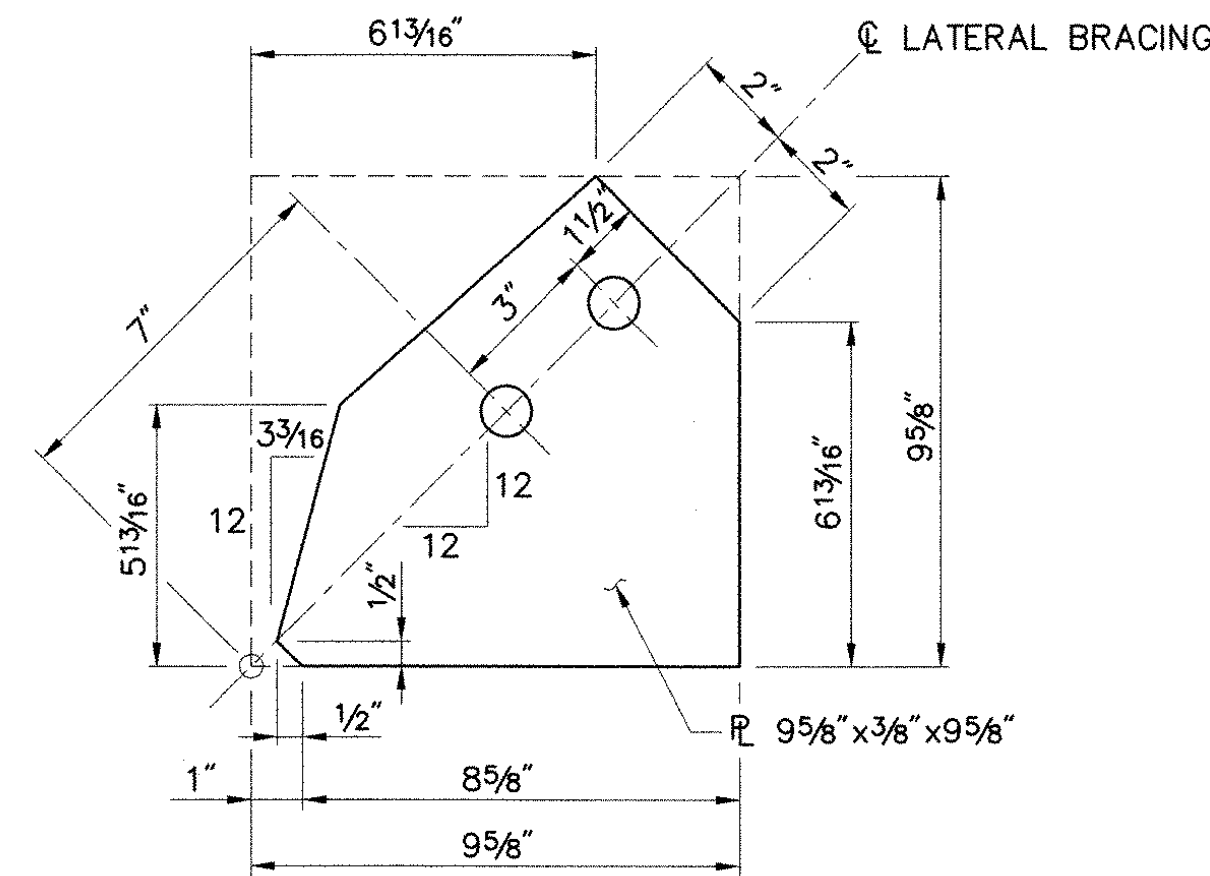
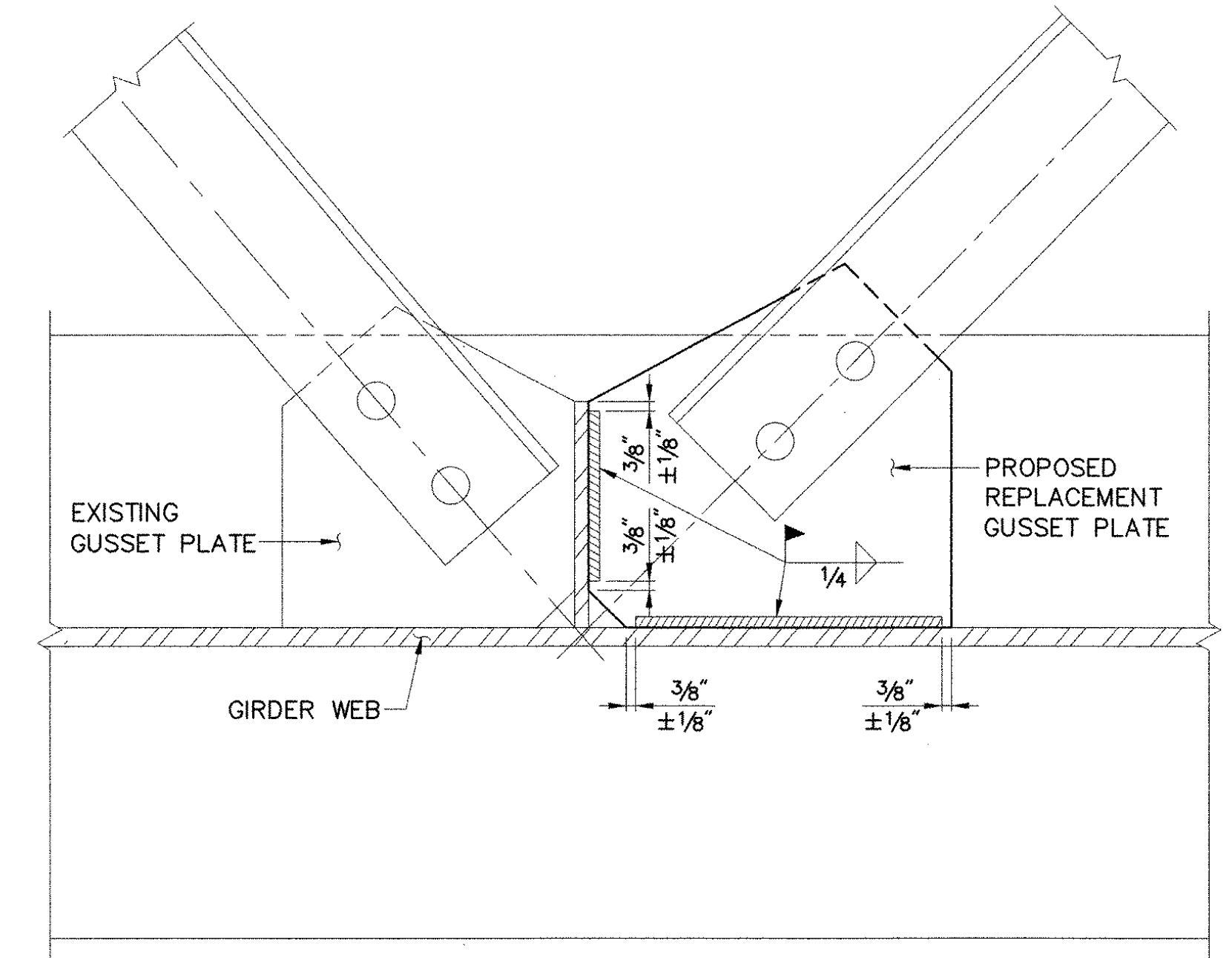


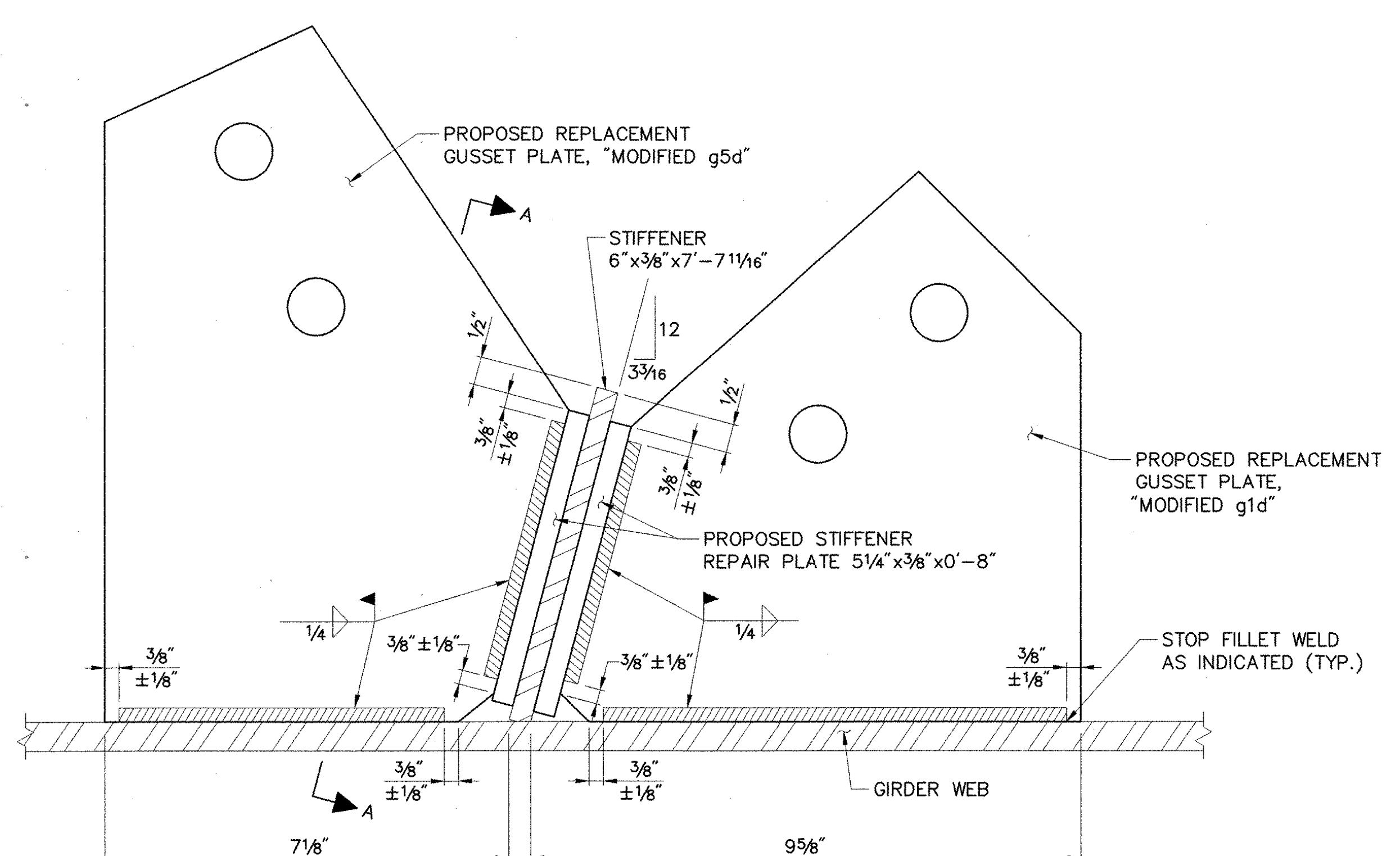
"MODIFIED g5d" GUSSET PLAN
SCALE: 3" = 1'-0"



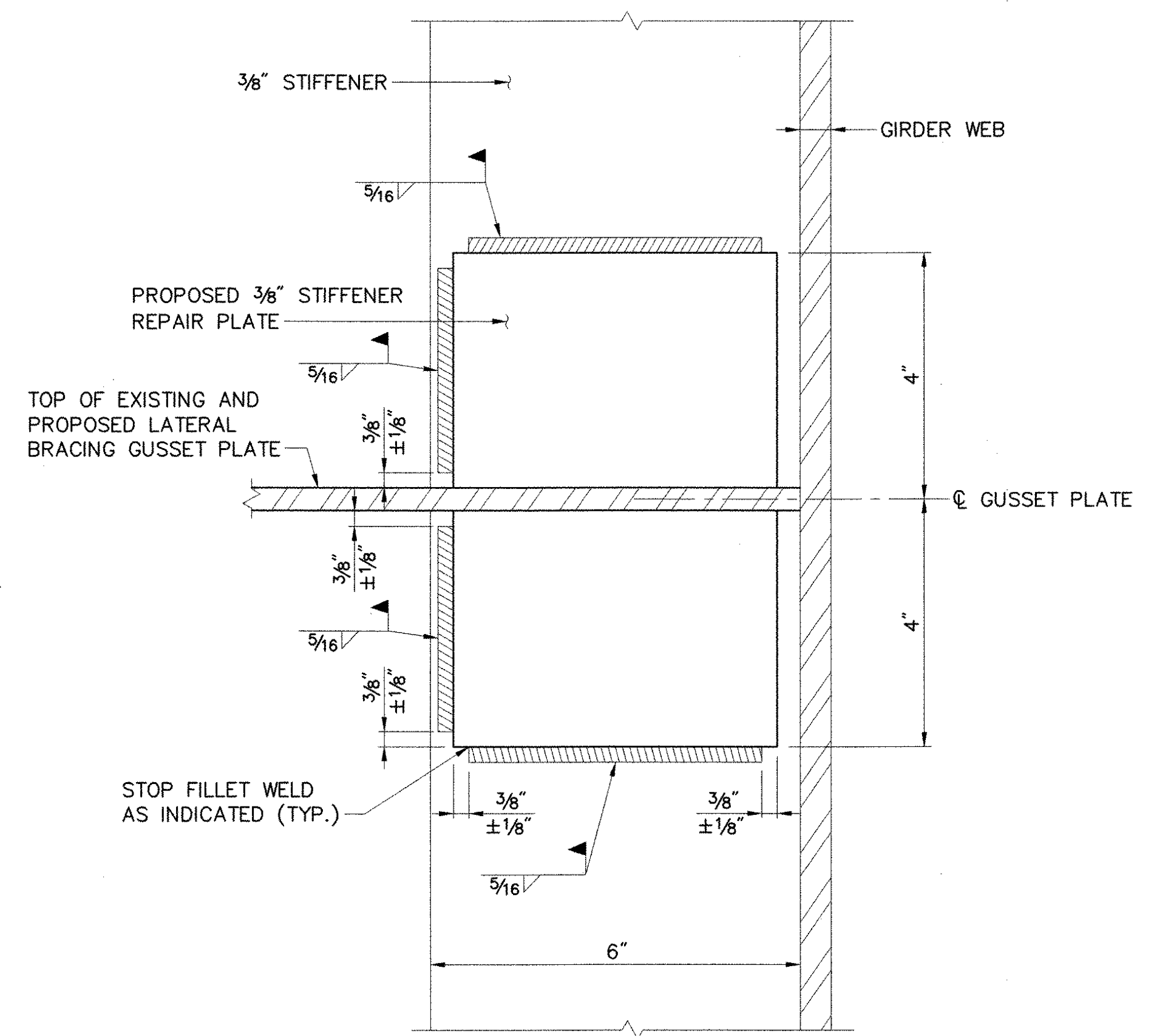
"MODIFIED g1d" GUSSET PLAN
SCALE: 3" = 1'-0"



TYPICAL REPLACEMENT GUSSET ATTACHMENT DETAIL
SCALE: 3" = 1'-0"



PLAN
SCALE: 6" = 1'-0"



VIEW A-A
SCALE: 6" = 1'-0"

- NOTES:**
- SEE SHEET 11 FOR STEEL REPAIRS TABLE AND NOTES.
 - FOR LOCATIONS OF REPAIRS SEE FRAMING PLANS ON SHEETS 9 AND 10.

BRIDGE 11S STEEL REPAIRS S25-S27 DETAILS

STATE OF VERMONT AGENCY OF TRANSPORTATION	
Town Of HARTFORD	Bridge No. 11N & 11S
Highway No. 1-89 NB & SB	Log Sta. Surv. Sta.
1-89 NB & SB OVER WHITE RIVER, VT 14 & NECR	
STRUCTURAL STEEL REPAIR DETAILS	
Designed By T.S. BRYANT	Drawn By B.J. MASSE
Checked By S.M. HODGDON	Date 9/98
Bridge Design Supervisor C.D. BAKER Date 9/98	
PROJECT HARTFORD	PROJECT NO. IR 089-1(13)
VHB Cad Filename 50699SD1	
Bridge Sheet No. 12	Sheet 12 of 101

VANASSE HANGEN BRUSTLIN, INC.