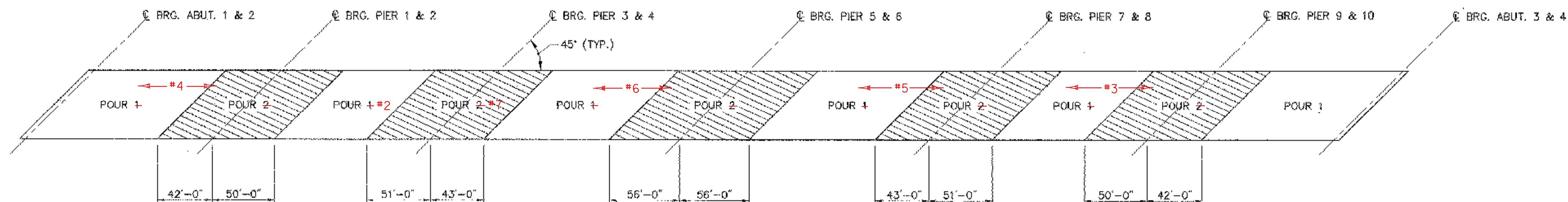
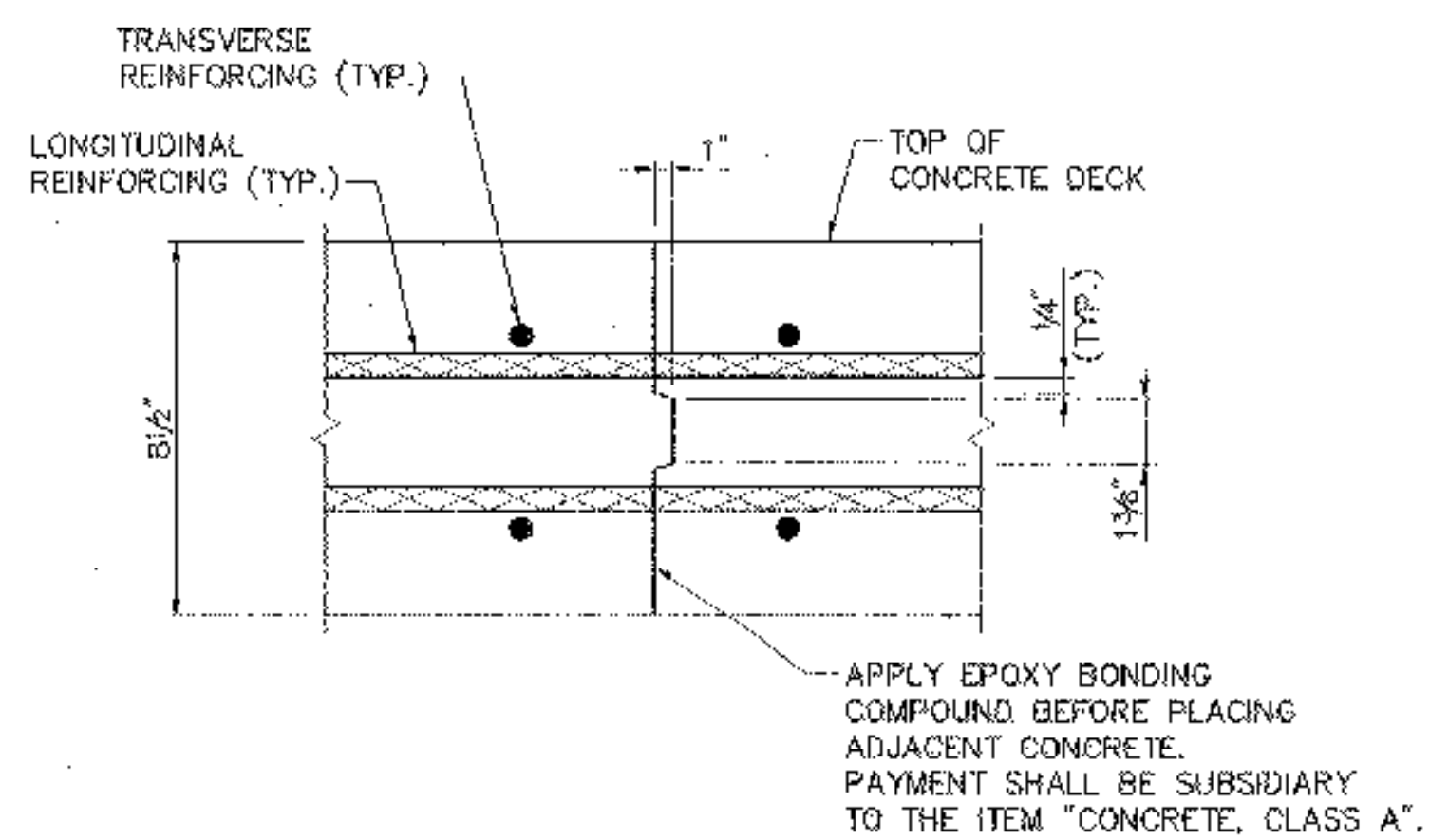


SECTION A-A
SCALE: 3/4" = 1'-0"



DECK POUR SEQUENCE
N.T.S.



**TRANSVERSE BRIDGE DECK
CONSTRUCTION JOINT DETAILS**
N.T.S.

DECK POUR SEQUENCE NOTES:

1. ALL POURS MARKED "POUR 1" SHALL BE COMPLETED BEFORE ANY POURS MARKED "POUR 2" ARE STARTED.
2. ALL POURS WITH THE SAME NUMBER DO NOT HAVE TO BE PLACED IN THE SAME DAY, HOWEVER, ALL POURS COMPLETED IN ONE DAY SHALL BE SYMMETRICAL ABOUT PIERS 5 & 6. MINIMUM WAITING FOR SUBSEQUENT POURS SHALL BE 96 HOURS.
3. THE MAXIMUM TIME SPAN FOR ANY COMBINATION OF POURS COMPLETED IN ONE DAY SHALL BE 8 HOURS. A RETARDING ADMIXTURE SHALL BE USED SO THAT THE DECK CONCRETE WILL NOT SET UP UNTIL THAT DAY'S POURS HAVE BEEN COMPLETED. THE RETARDING ADMIXTURE SHALL BE SUBSIDIARY TO ITEM 501.221, "CONCRETE, CLASS A QC/QA".
4. USE BRIDGE DECK CONSTRUCTION JOINTS BETWEEN POURS AS SHOWN ON THIS SHEET.
5. ANY POURING SEQUENCE OTHER THAN THAT INDICATED SHALL BE SUBMITTED IN WRITING TO THE STRUCTURES ENGINEER FOR APPROVAL.

NOTES:

1. SEE SHEET 7 FOR LOCATION OF SECTION A-A.

STATE OF VERMONT AGENCY OF TRANSPORTATION	
Town Of HARTFORD	Bridge No. 11N & 11S
Highway No. I-89 NB & SB	Log Sta.
	Surv. Sta.
1-89 NB & SB OVER WHITE RIVER, VT 14 & NECR	
DECK REINFORCEMENT (1 OF 3)	
Designed By J.A. ROUILLARD	Drawn By B.J. MASSE
Checked By T.S. BRYANT	Date 9/98
	Bridge Design Supervisor C.D. BAKER
	Date 9/98
PROJECT HARTFORD	PROJECT NO. IR 089-1(13)
VHB Cad Filename 50899DR1	
Bridge Sheet No. 6	Sheet 6 of 101

VANASSE HANGEN BRUSTLIN, INC.