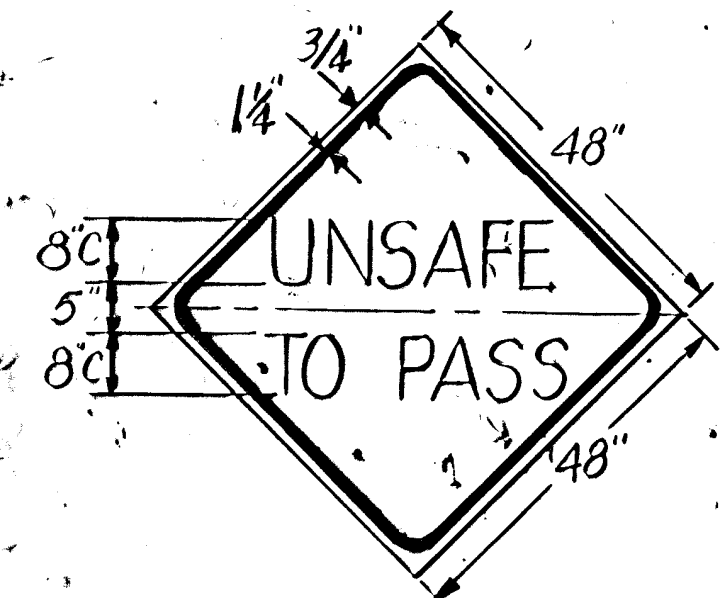
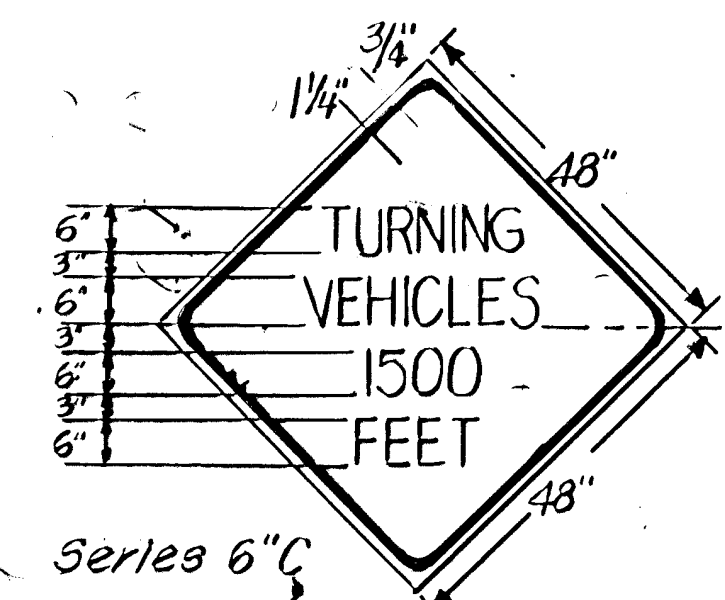
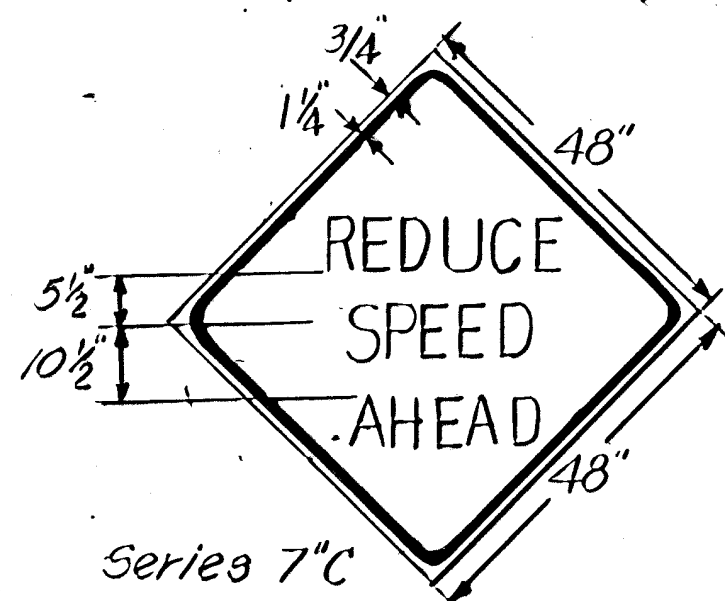


# SECTION

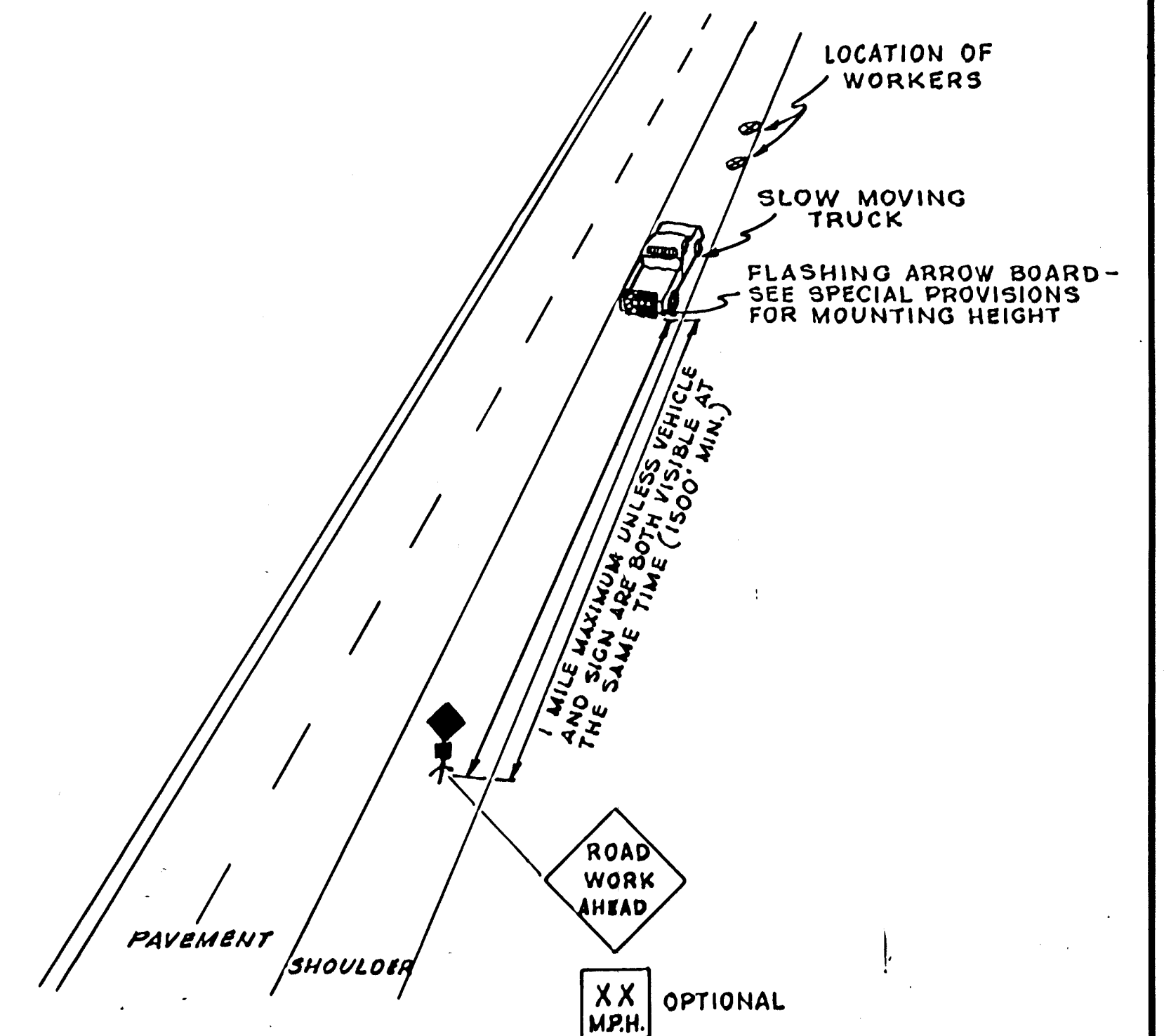
# TRAFFIC SIGN SUMMARY SHEET

SIGN NOTES: THESE SIGNS ARE SUBSIDIARY TO OTHER ITEMS. ADDITIONAL SIGNS AND SIGN POSTS, IF REQUIRED, THAT ARE NOT DETAILED ARE TO BE PAID AS ITEM 675.20 (TYPE A) OR ITEM 675.25 (TYPE B). - POSTS SUBSIDIARY. SIGNS SHALL BE ERECTED ON FLANGED CHANNEL STEEL POSTS. AT LEAST 6 FEET OUTSIDE THE SHOULDER POINT OR 2 FEET OUTSIDE GUARD RAIL, SIGNS FOR TEMPORARY USE MAY BE MOUNTED ON APPROVED PORTABLE SUPPORTS, THE SIGN SHALL BE MOUNTED SO THAT THE BOTTOM OF THE SIGN WILL BE AT LEAST 1 FOOT ABOVE ROAD LEVEL. THE INSTALLATION AND MAINTENANCE OF ALL SIGNS SHALL BE SUBJECT TO THE APPROVAL OF THE ENGINEER.  
\* 3 LBS./FT. - MAXIMUM



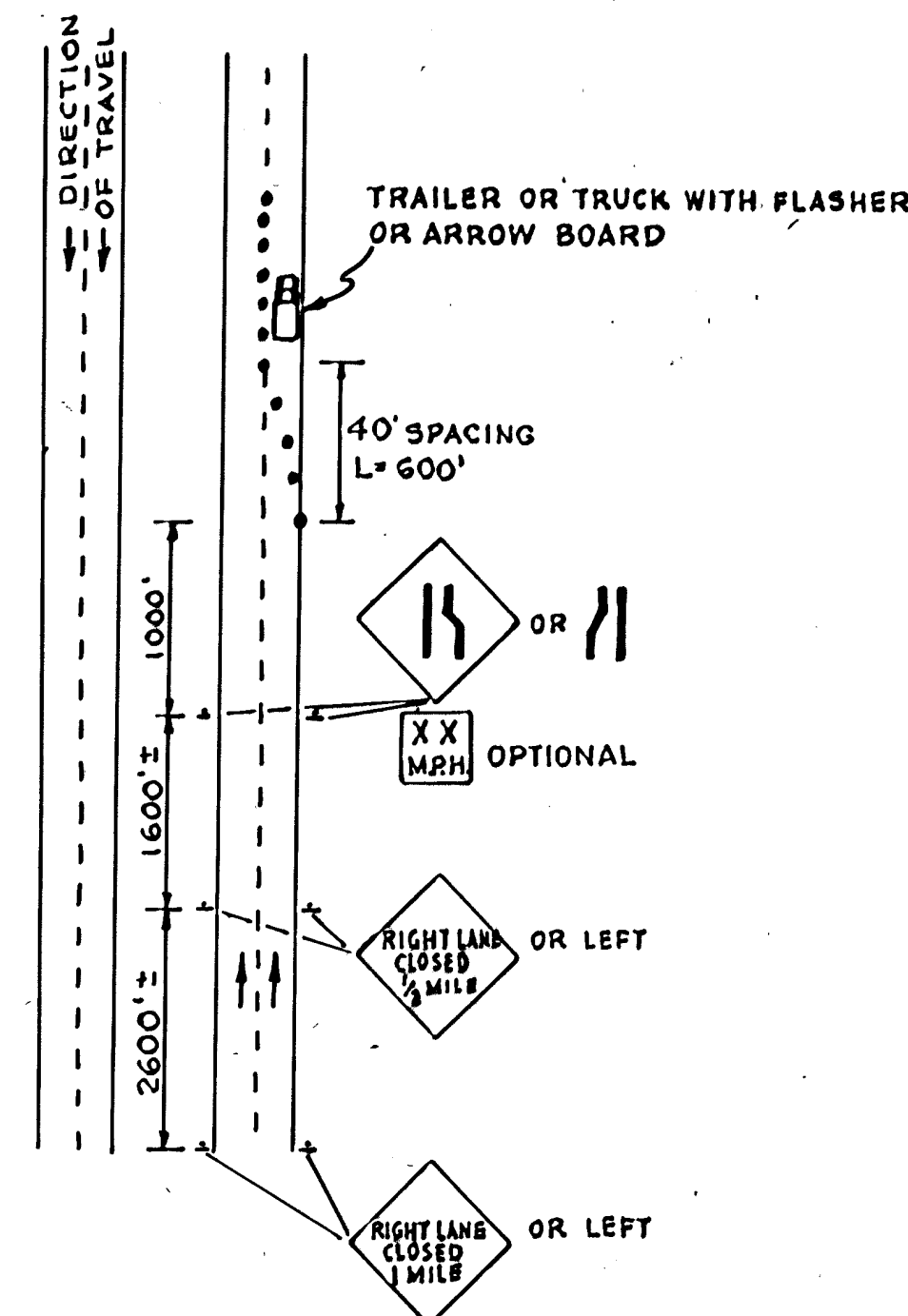
IDENTIFICATION	NUMBER OF SIGNS	SIZE		TEXT	FOR SIGN DETAIL SEE STANDARD OR SHEET NUMBER
		WIDTH	HEIGHT		
	4	4	4	LEFT LANE CLOSED 1 MILE RIGHT	E-101
	4	4	4	LEFT LANE CLOSED 1/2 MILE RIGHT	E-101
	1	4	4	TURNING VEHICLES 1500 FEET	THIS SHEET
	2	4	4		E-101
	2	4	4		E-101
	1	4	4		E-150
	2	4	4	REDUCE SPEED AHEAD	THIS SHEET
ADVISORY	2	2	2	40 MPH	E-102
	4	4	4	UNSAFE TO PASS	THIS SHEET
	2	4	5	REDUCED SPEED AHEAD	THIS SHEET
LEGAL	2	4	5	SPEED LIMIT 40	E-142
	2	4	5	DO NOT PASS	E-141

BORDER & LEGEND - BLACK (NON-REF.)  
BACKGROUND - ORANGE (REFL.-HIGH INT.)  
FOR MATERIAL SPECS. SEE STD. E-8  
(APPLIES TO ALL SIGN DETAILS ABOVE)



MOVING OPERATION LANE CLOSURE (Delineator Placement)

When delineators are being placed adjacent to the 4' shoulder the operation must be additionally protected by the standard "LEFT LANE CLOSED" sign package. The Contractor may elect to perform such work when the left lane is closed for other purposes.



Typical application - daytime maintenance operations of short duration on a four-lane divided roadway where one lane is closed. To be used for bridge work where concern for legal speed zone signing is not a problem (low volume - adequate sight distance).

SIGN SUMMARY CONST. VEHICLE TURNING	SURVEYED BY _____ DATE _____
	DRAWN BY _____ DATE _____
	TRACED BY _____ DATE _____
	PROJ. NO. _____
SPRINGFIELD-HARTFORD IR 091-1 (20) TRAFFIC SHEET NO. _____ SHEET 51 OF 133	