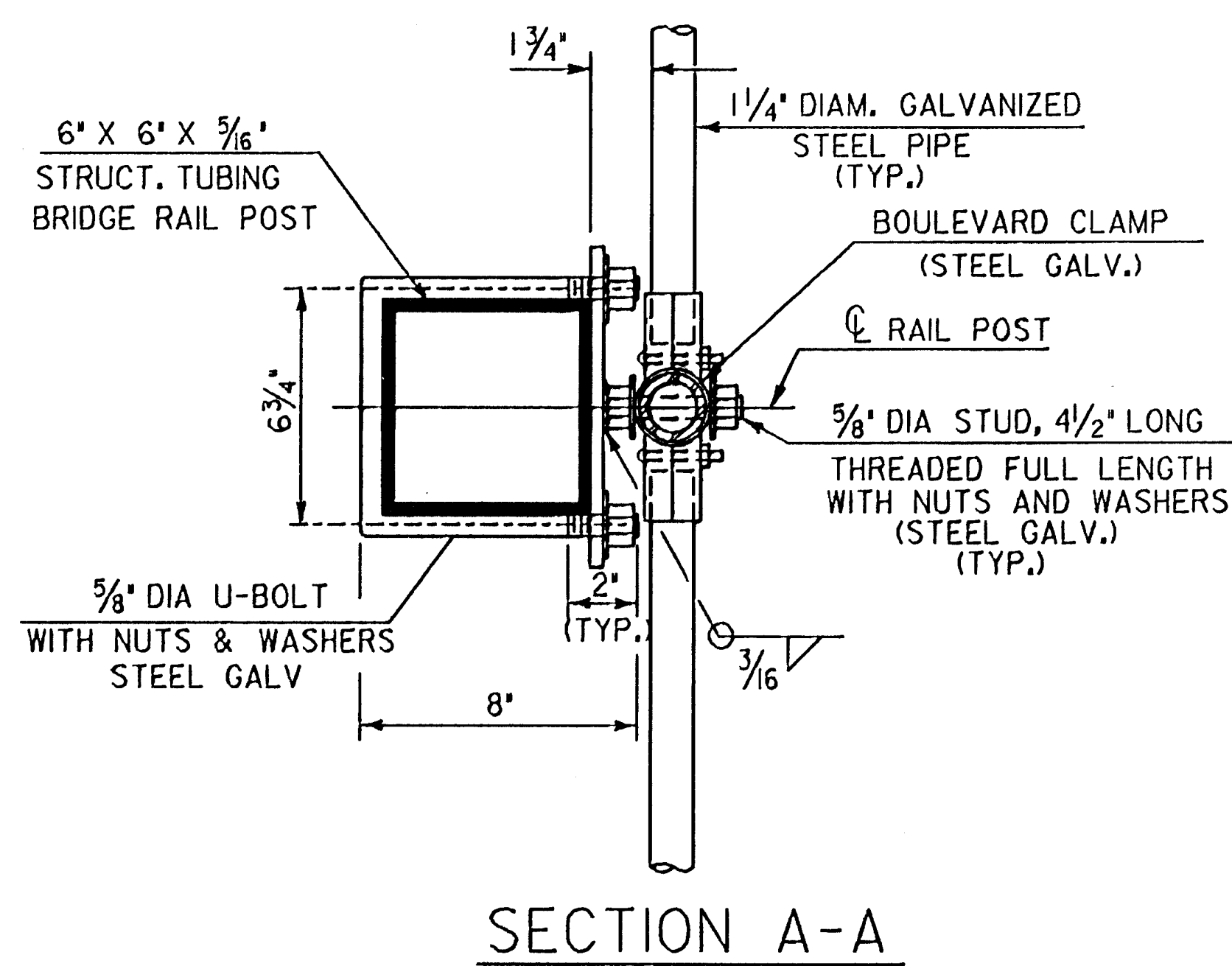
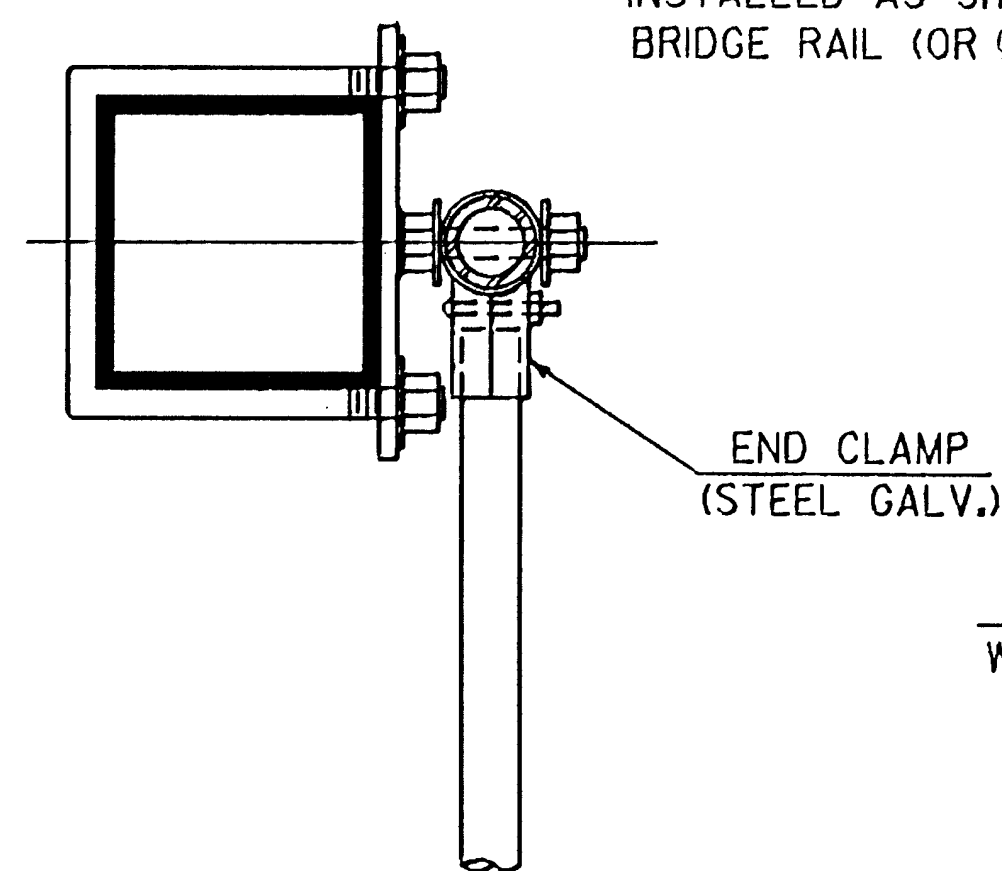


# SNOW FENCE DETAILS (FOR USE IN CONJUNCTION WITH GALVANIZED BOX BEAM)



SECTION A-A



PLAN VIEW AT END POST

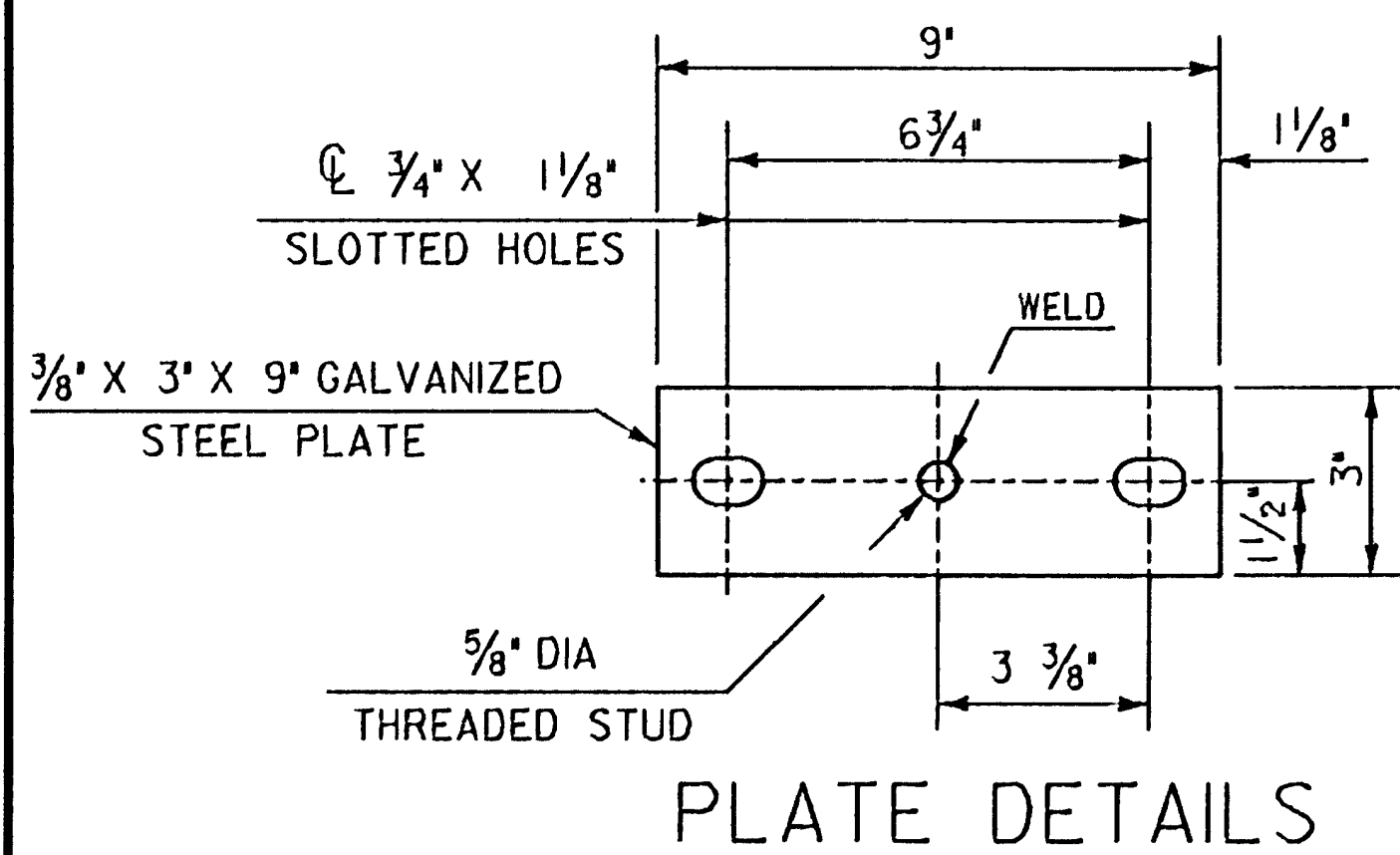
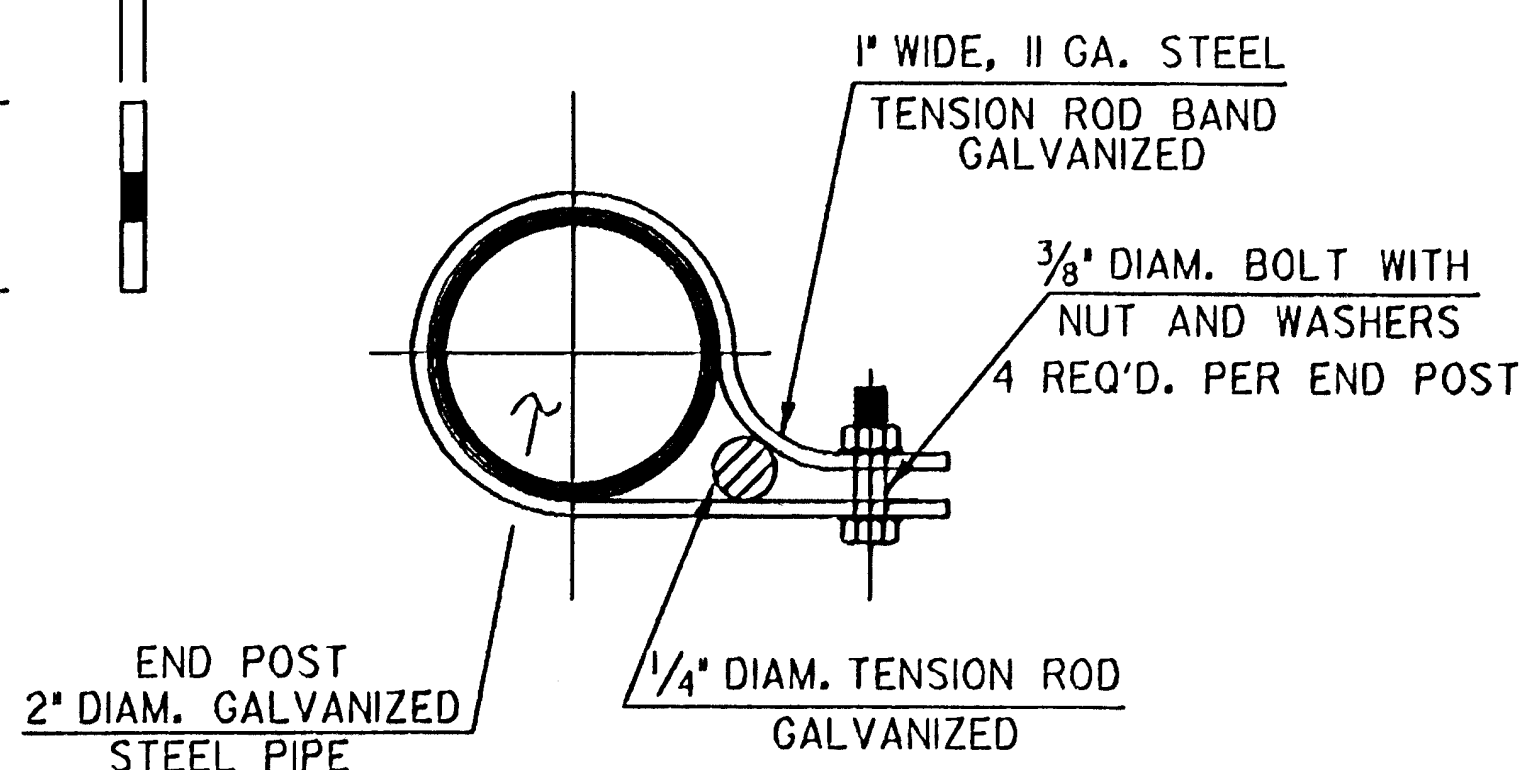
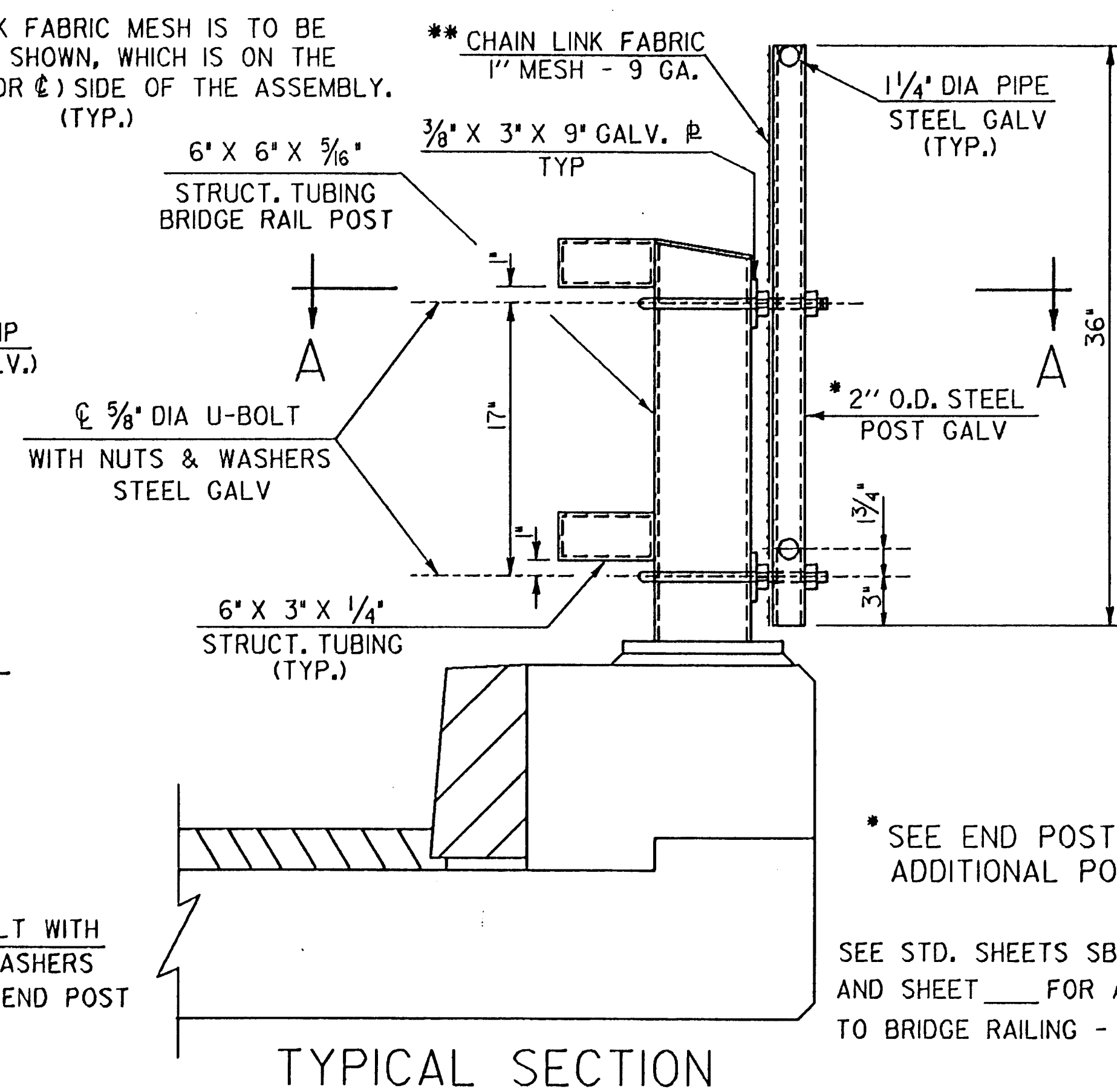


PLATE DETAILS



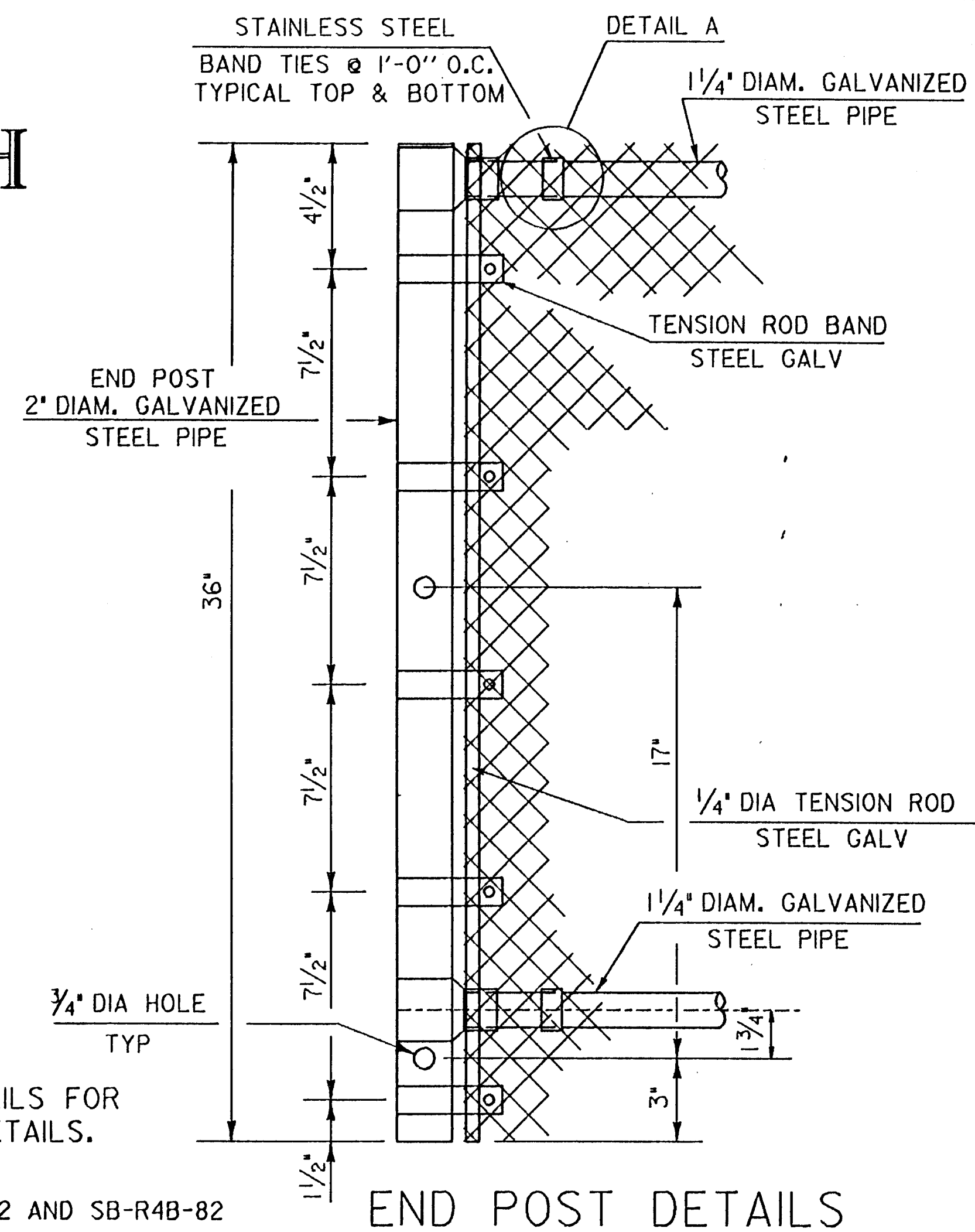
TENSION ROD BAND



TYPICAL SECTION

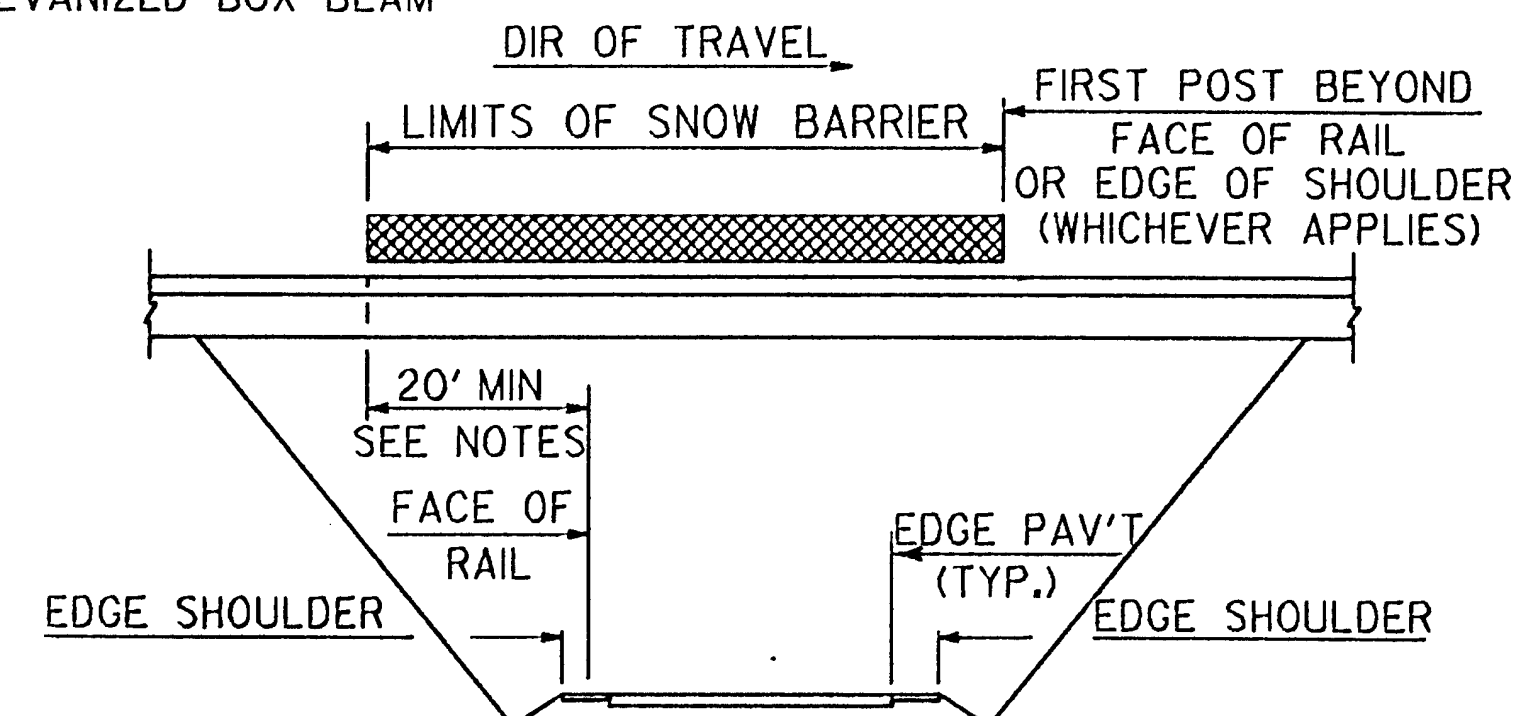
## GENERAL NOTES

1. THREADS OF STUDS AND U-BOLTS TO BE 5/8-II UNC.
2. ALL CONNECTION PLATES TO BE GALVANIZED AFTER FABRICATION.
3. 1/4" PIPE LENGTH SHALL BE FIELD CUT TO FIT POST SPACING.
4. CHAIN LINK FABRIC TO BE KNUCKLED TOP AND BOTTOM.
5. ALL BOLTS, NUTS AND WASHERS SHALL CONFORM TO THE SPECIFICATIONS FOR ASTM A307.
6. ALL STEEL PLATES SHALL CONFORM TO THE SPECIFICATION FOR AASHTO M270 GRADE 36.
7. ALL GALVANIZING SHALL CONFORM TO THE REQUIREMENTS OF AASHTO M-181 WITH HARDWARE AND FITTINGS CONFORMING TO THE REQUIREMENTS OF AASHTO M-111 OR AASHTO M-232 WHICHEVER IS APPLICABLE. ALL BOLTS, NUTS AND WASHERS SHALL BE EITHER HOT-DIP GALVANIZED IN ACCORDANCE WITH THE ABOVE AASHTO REQUIREMENTS OR MECHANICALLY GALVANIZED USING A MECHANICALLY DEPOSITED PROCESS CONFORMING TO THE REQUIREMENTS OF AASHTO M-298, CLASS 110.
8. GALVANIZED CHAIN-LINK FABRIC SHALL BE TYPE I (ZINC) CLASS D AS SPECIFIED IN AASHTO M-181.
9. SNOW BARRIER SHALL BEGIN AT THE BRIDGE RAIL POST WHICH WILL PROVIDE A MIN. DISTANCE OF 20' (AS SHOWN) OR AS DIRECTED BY THE ENGINEER.

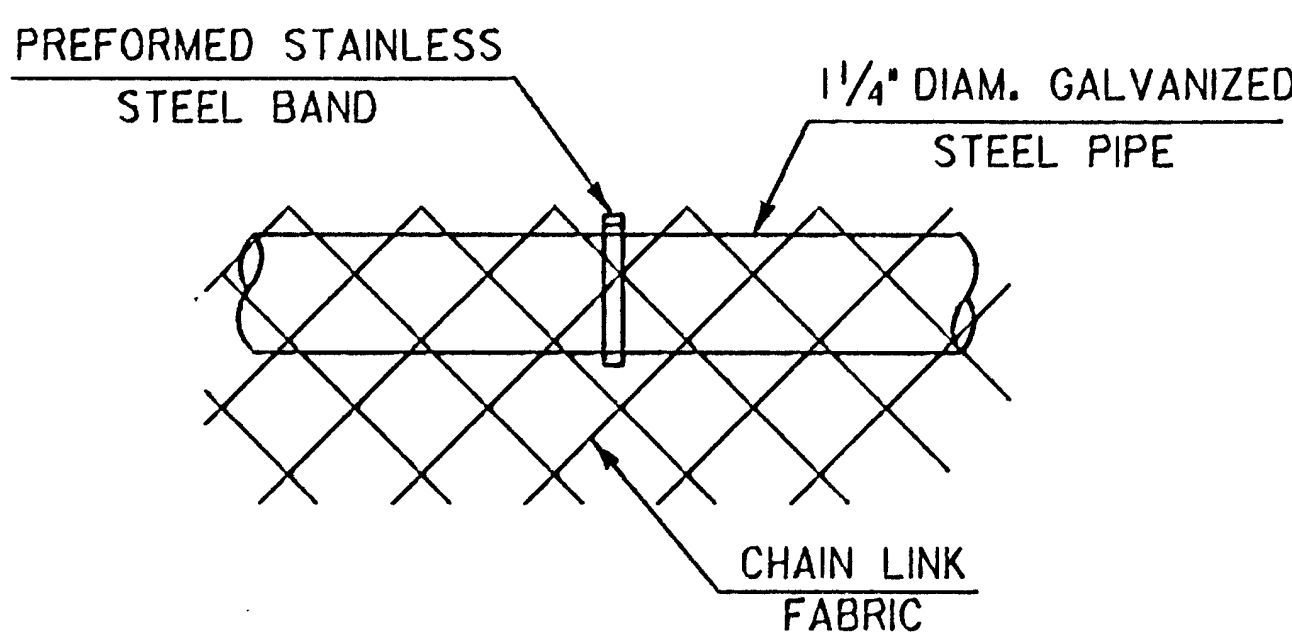


END POST DETAILS

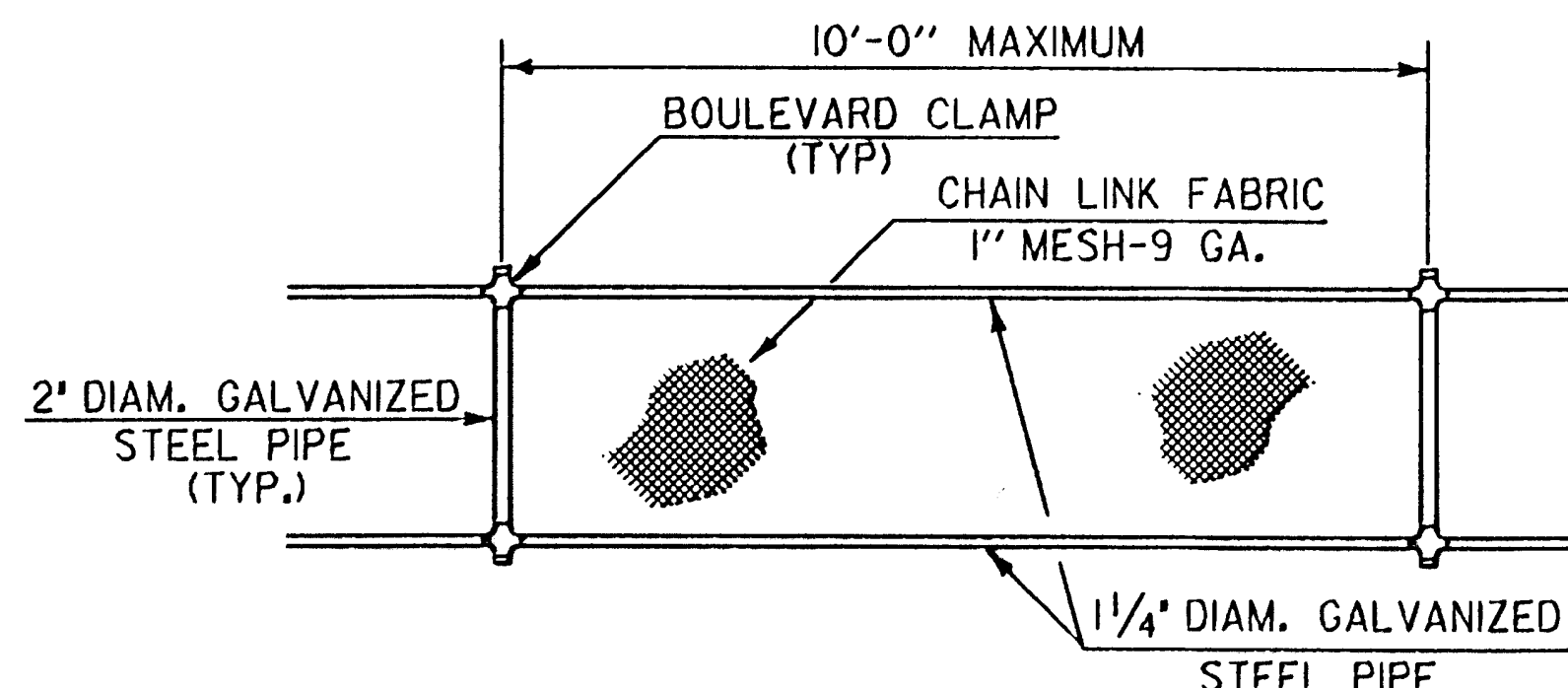
SEE END POST DETAILS FOR ADDITIONAL POST DETAILS.  
SEE STD. SHEETS SB-R4A-82 AND SB-R4B-82 AND SHEET \_\_\_ FOR ADDITIONAL DETAILS RELATIVE TO BRIDGE RAILING - TWO RAIL GALVANIZED BOX BEAM



SCHEMATIC SNOW BARRIER LIMITS



DETAIL A



ELEVATION SNOW BARRIER

DETAILS ON THIS SHEET NOT TO SCALE  
ALL DIMENSIONS IN INCHES UNLESS OTHERWISE NOTED

## STATE OF VERMONT AGENCY OF TRANSPORTATION

Town Of	Bridge No.
Highway No.	Log Sta.
	Surv. Sta.
INSTALLATION OF PERMANENT SNOW FENCE ON BRIDGES WITH BOX BEAM RAIL	
Designed By G. Newbury	Drawn By J. Gruchacz/D. Newton
Checked By	Date
	Bridge Design Supervisor
	Date
PROJECT SPRINGFIELD - HARTFORD	PROJECT NO. IR 091-1(20)
I.G.C. info. ZHILC30J501SNOWFENCE.DGN	PRF:BXBMSNOFN
Bridge Sheet No.	Sheet 35 of 133