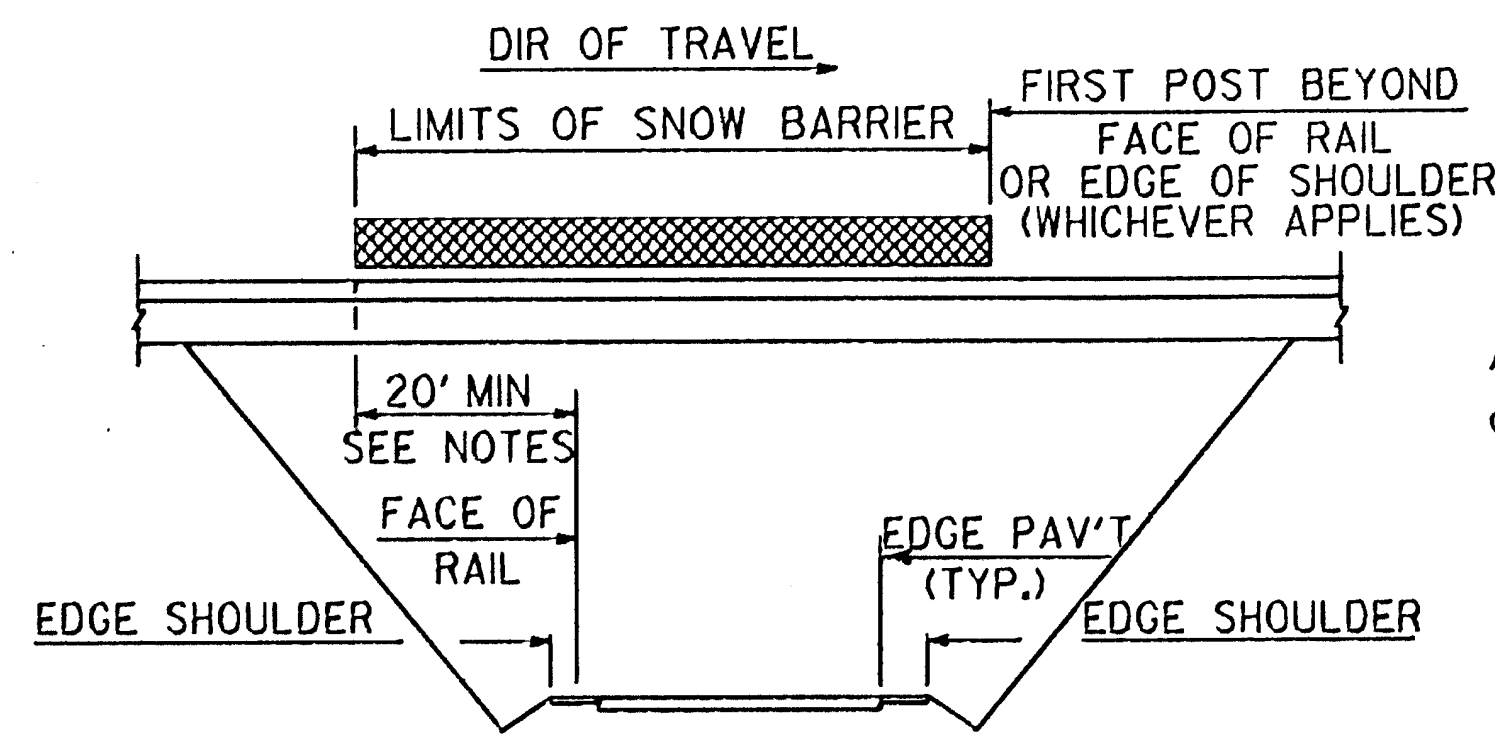


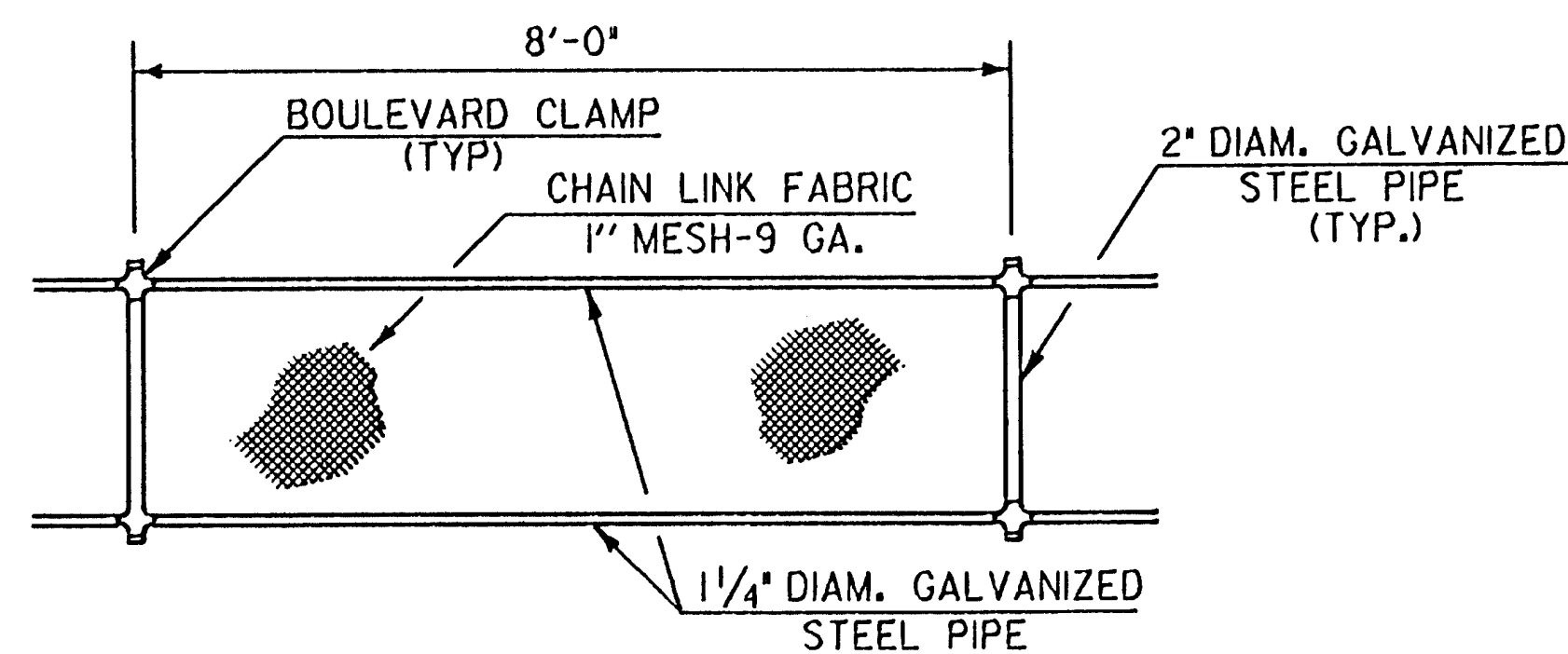
# SNOW FENCE DETAILS (FOR USE IN CONJUNCTION WITH 3 RAIL ALUMINUM BRIDGE RAILING)

## GENERAL NOTES

1. THREADS OF STUDS AND U-BOLTS TO BE 5/8-II UNC.
2. ALL CONNECTION PLATES TO BE GALVANIZED AFTER FABRICATION.
3. 1 1/4" PIPE LENGTH SHALL BE FIELD CUT TO FIT POST SPACING.
4. CHAIN LINK FABRIC TO BE KNUCKLED TOP AND BOTTOM.
5. ALL BOLTS, NUTS AND WASHERS SHALL CONFORM TO THE SPECIFICATIONS FOR ASTM A307.
6. ALL STEEL PLATES SHALL CONFORM TO THE SPECIFICATION FOR AASHTO M270 GRADE 36.
7. ALL GALVANIZING SHALL CONFORM TO THE REQUIREMENTS OF AASHTO M-181 WITH HARDWARE AND FITTINGS CONFORMING TO THE REQUIREMENTS OF AASHTO M-III OR AASHTO M-232 WHICHEVER IS APPLICABLE. ALL BOLTS, NUTS AND WASHERS SHALL BE EITHER HOT-DIP GALVANIZED IN ACCORDANCE WITH THE ABOVE AASHTO REQUIREMENTS OR MECHANICALLY GALVANIZED USING A MECHANICALLY DEPOSITED PROCESS CONFORMING TO THE REQUIREMENTS OF AASHTO M-298, CLASS II.
8. GALVANIZED CHAIN-LINK FABRIC SHALL BE TYPE I (ZINC) CLASS D AS SPECIFIED IN AASHTO M-181.
9. SNOW BARRIER SHALL BEGIN AT THE BRIDGE RAIL POST WHICH WILL PROVIDE A MIN. DISTANCE OF 20' (AS SHOWN) OR AS DIRECTED BY THE ENGINEER.
10. SEE SHEET \_\_\_\_\_ FOR DETAILS OF THE END POST, TENSION ROD BAND AND U-BOLT ASSEMBLIES.

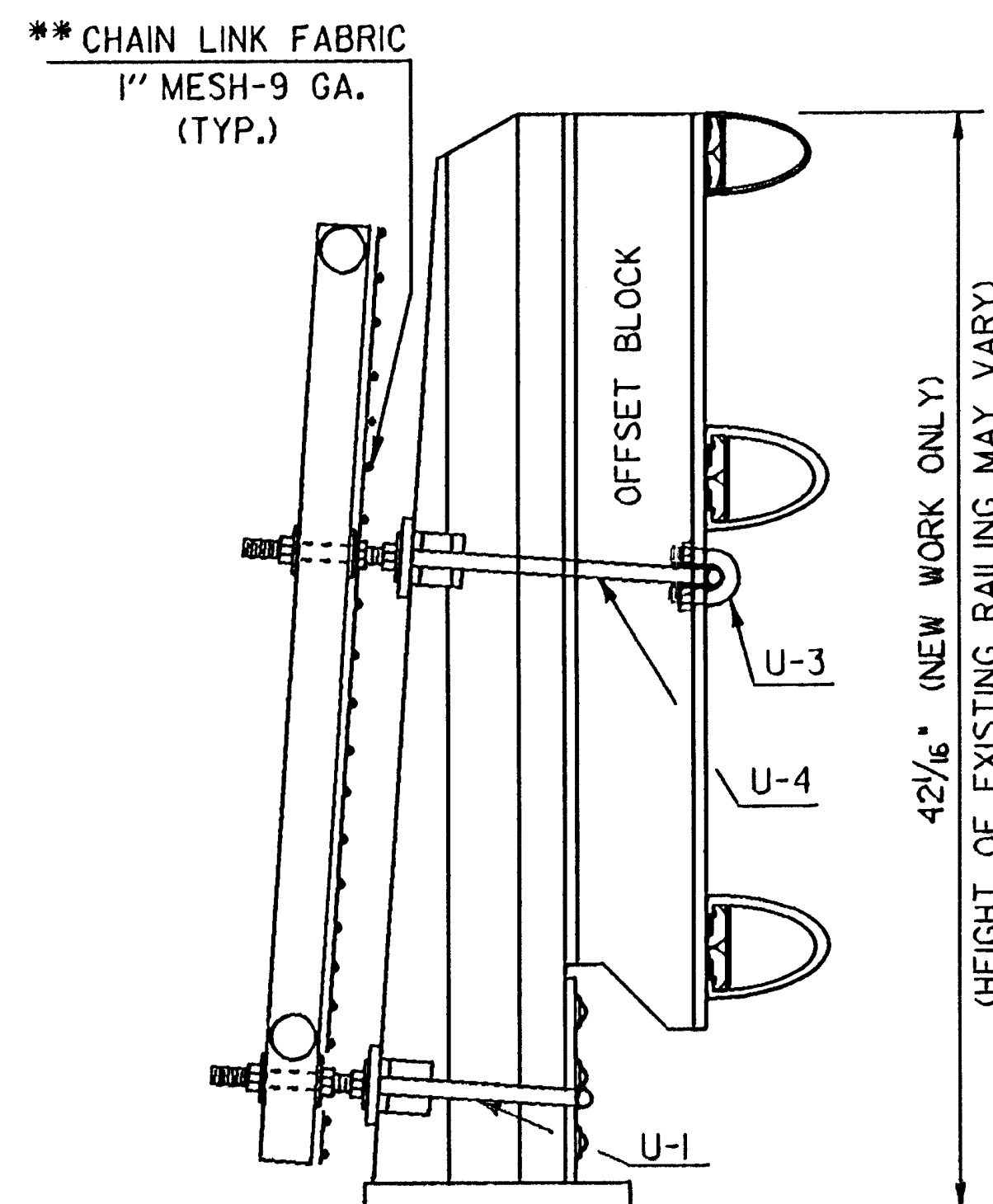


SCHEMATIC SNOW BARRIER LIMITS

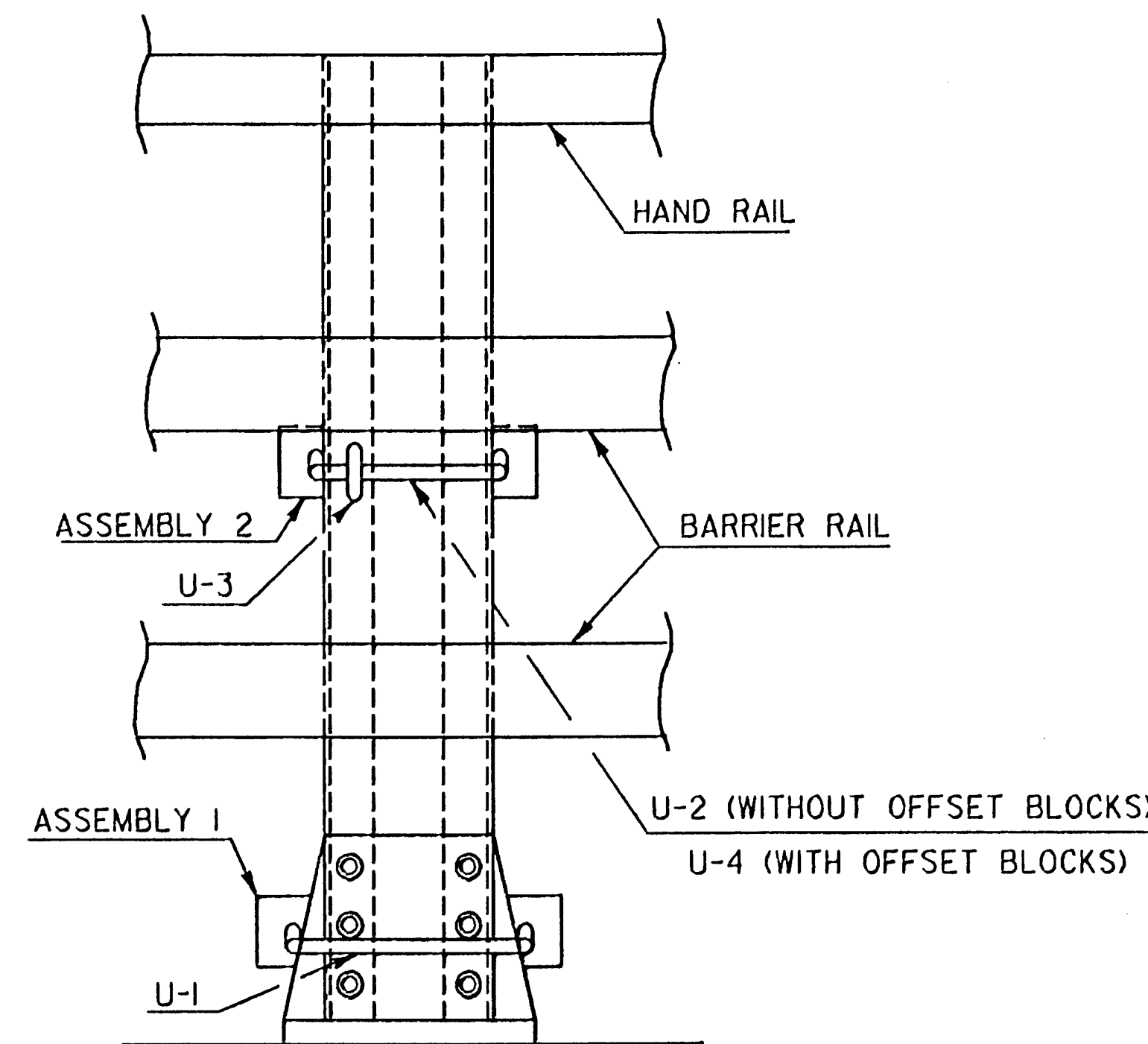


ELEVATION SNOW BARRIER

\*\* THE CHAIN LINK FABRIC MESH IS TO BE INSTALLED AS SHOWN, WHICH IS ON THE BRIDGE RAIL (OR  $\odot$ ) SIDE OF THE ASSEMBLY. (TYP.)

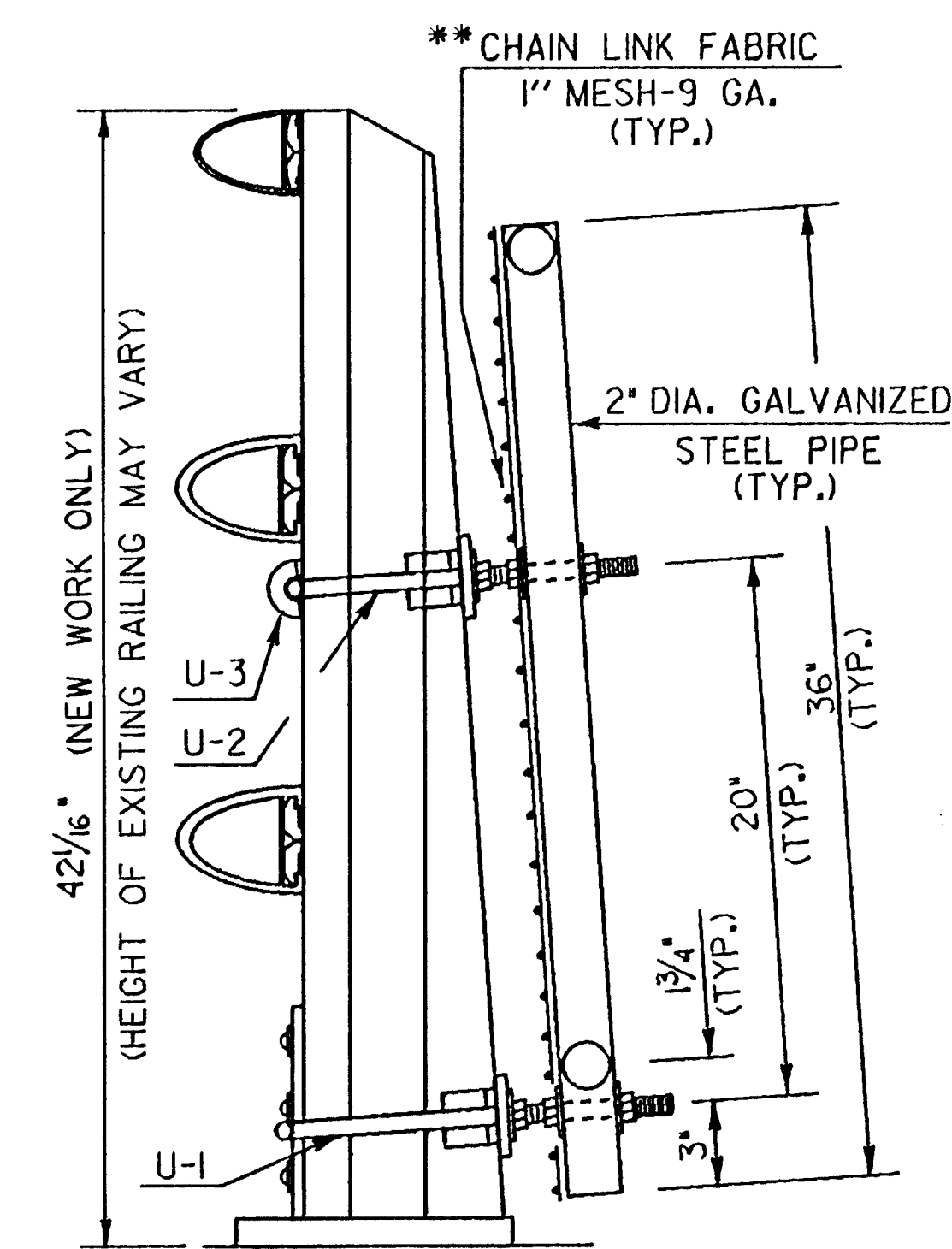


3-RAIL ALUMINUM WITH OFFSET BLOCKS



ELEVATION VIEW

(SNOWFENCE NOT SHOWN FOR PURPOSES OF CLARITY)



3-RAIL ALUMINUM WITHOUT OFFSET BLOCKS

DETAILS ON THIS SHEET ARE NOT TO SCALE  
ALL DIMENSIONS IN INCHES UNLESS OTHERWISE NOTED

## STATE OF VERMONT AGENCY OF TRANSPORTATION

Town Of	Bridge No.
Highway No.	Log Sta.
Surv. Sta.	
INSTALLATION OF PERMANENT SNOW FENCE ON BRIDGES WITH 3-RAIL ALUMINUM BRIDGE RAIL	
Designed By G. Newbury	Drawn By D. W. Newton
Checked By Date	Bridge Design Supervisor Date
PROJECT SPRINGFIELD - HARTFORD	PROJECT NO. IR 091-1(20)
I.G.C. Info. ZHIL30J50JSNOWFENCE.DGN PRF:3RAILSNFN	
Bridge Sheet No.	Sheet 34 of 133