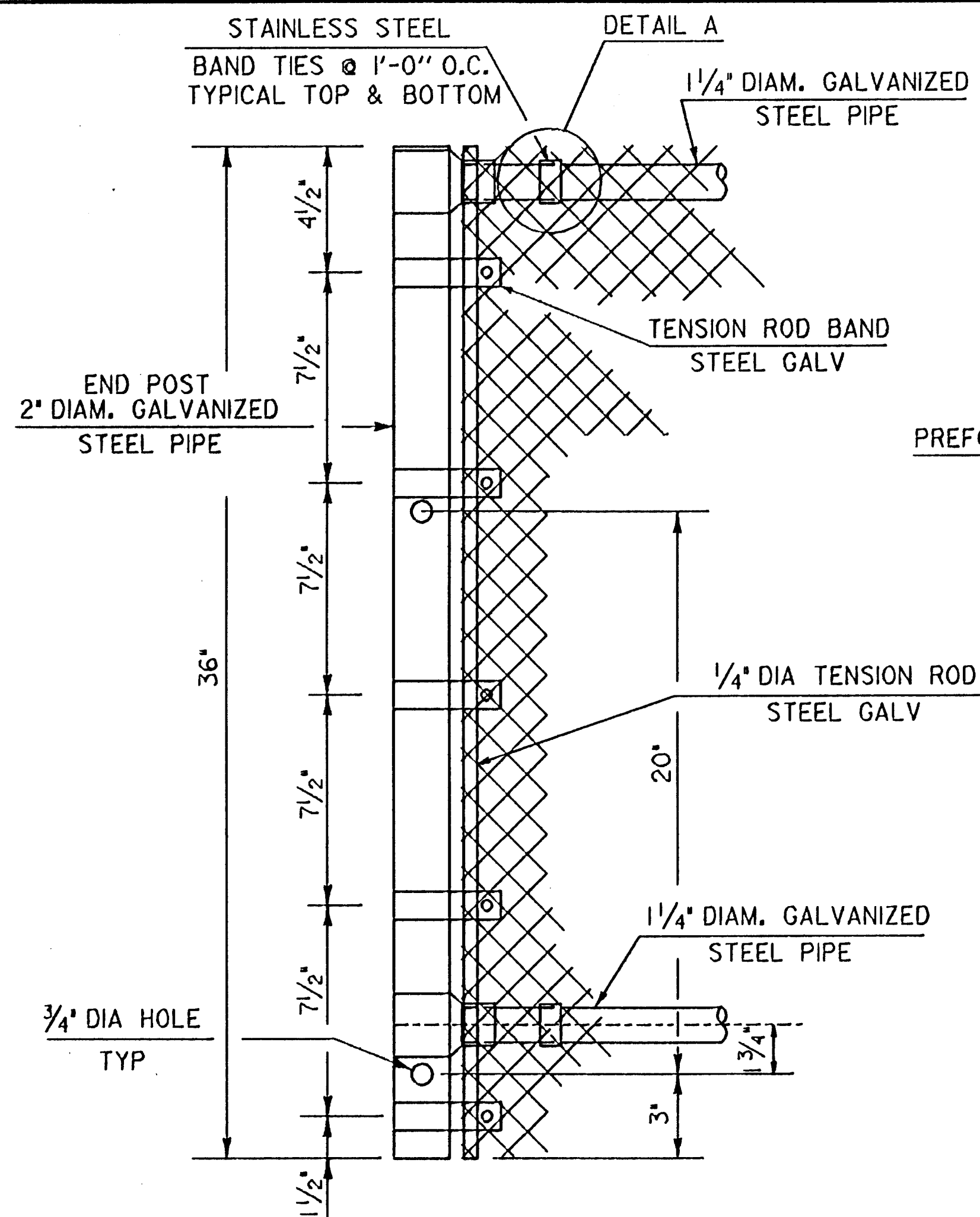
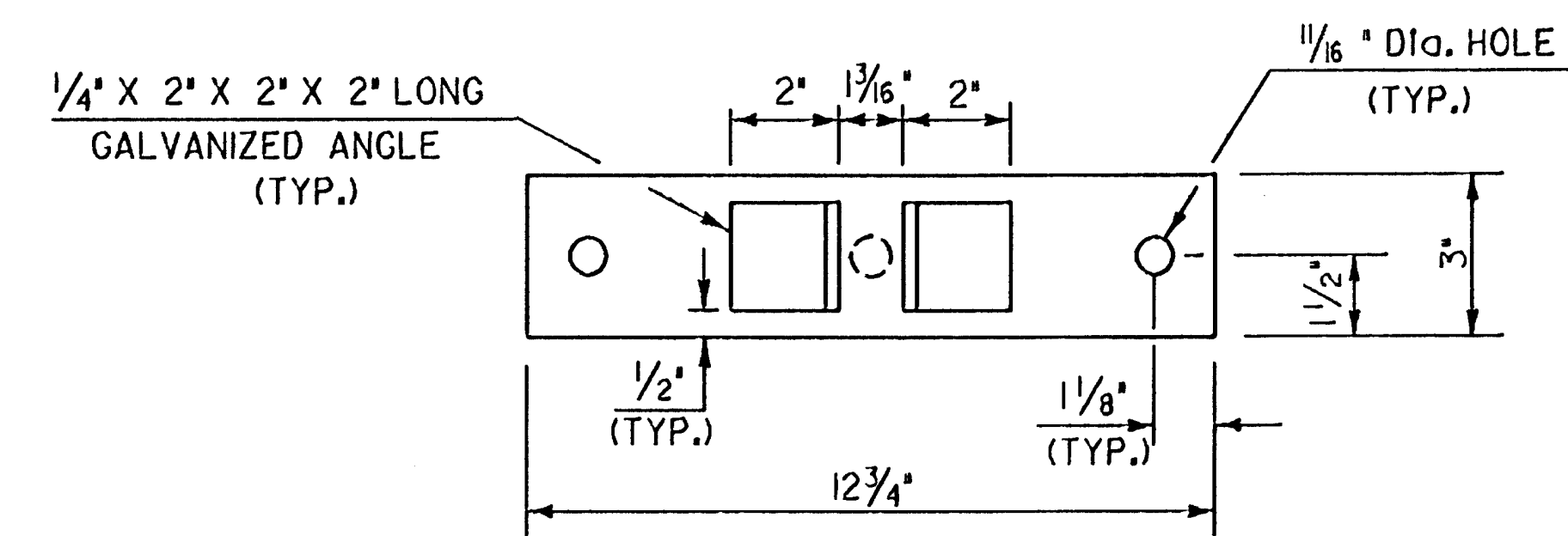


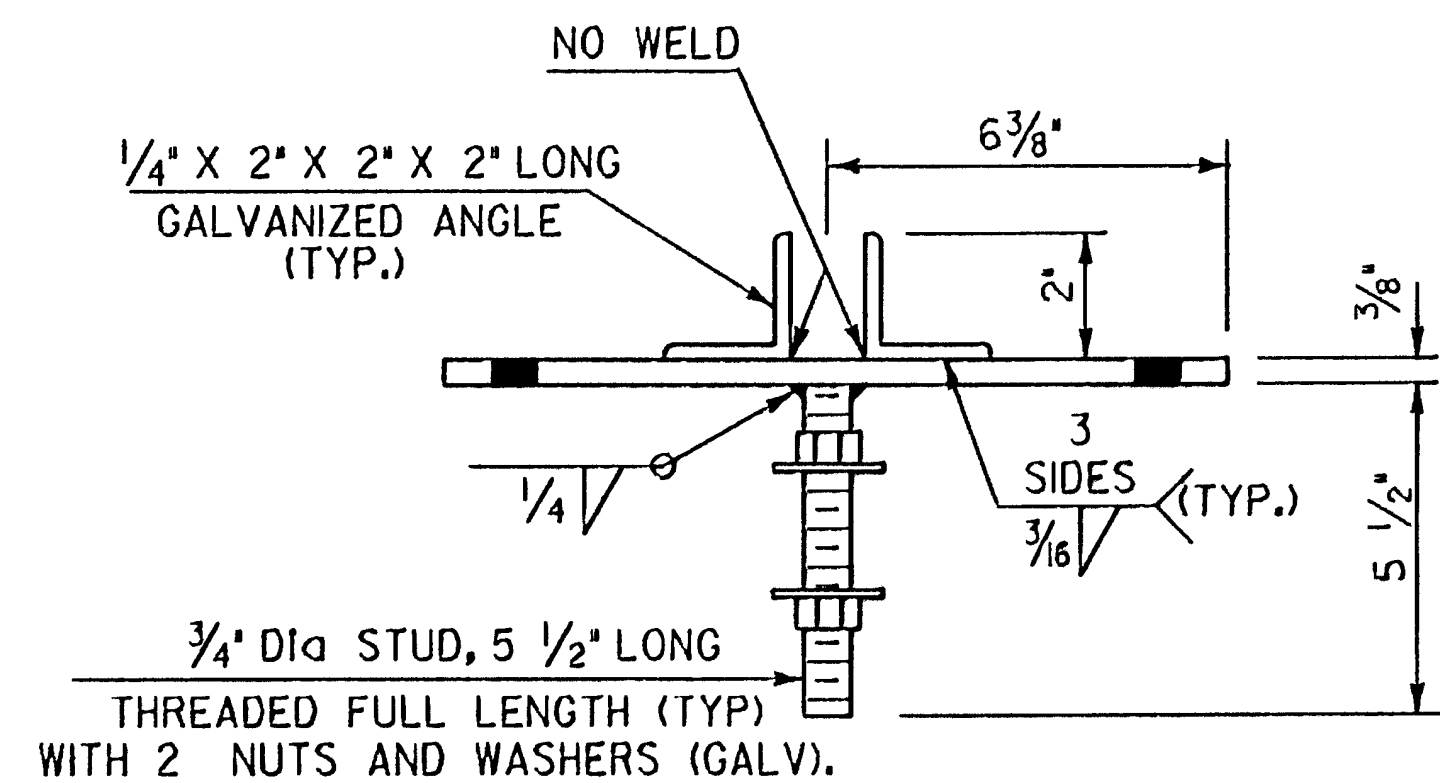
SNOW FENCE DETAILS FOR USE IN CONJUNCTION WITH ALUMINUM BRIDGE RAILING (2 RAIL OR 3 RAIL)



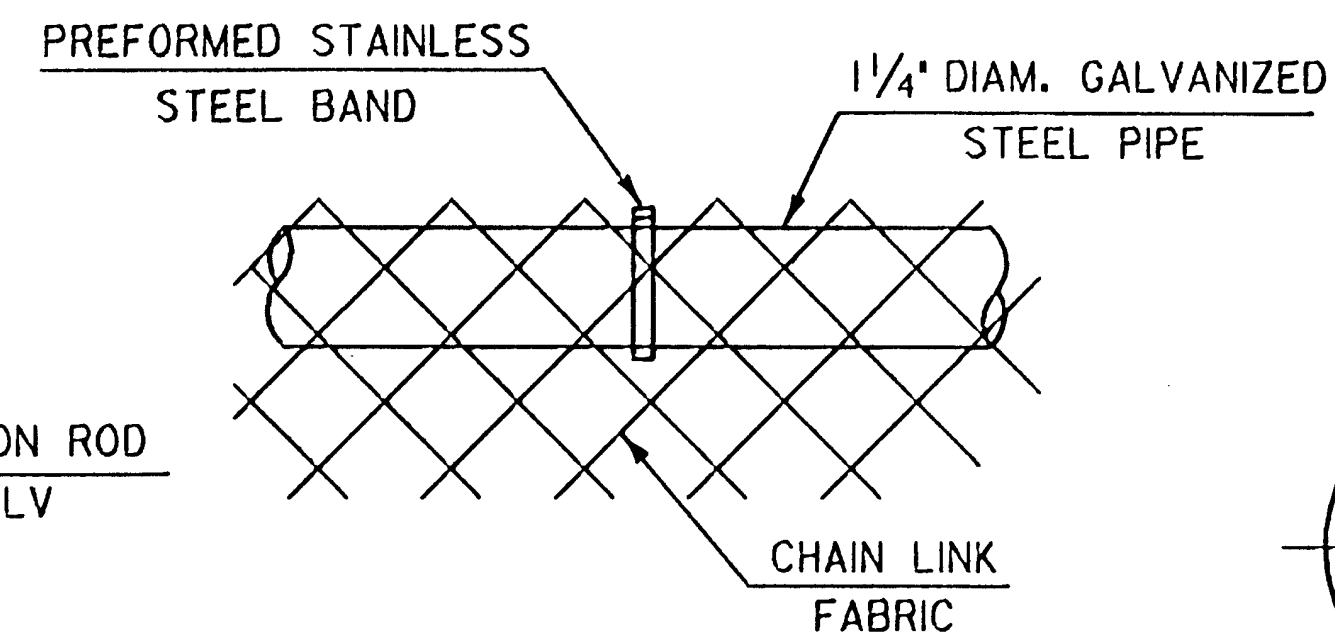
END POST DETAILS



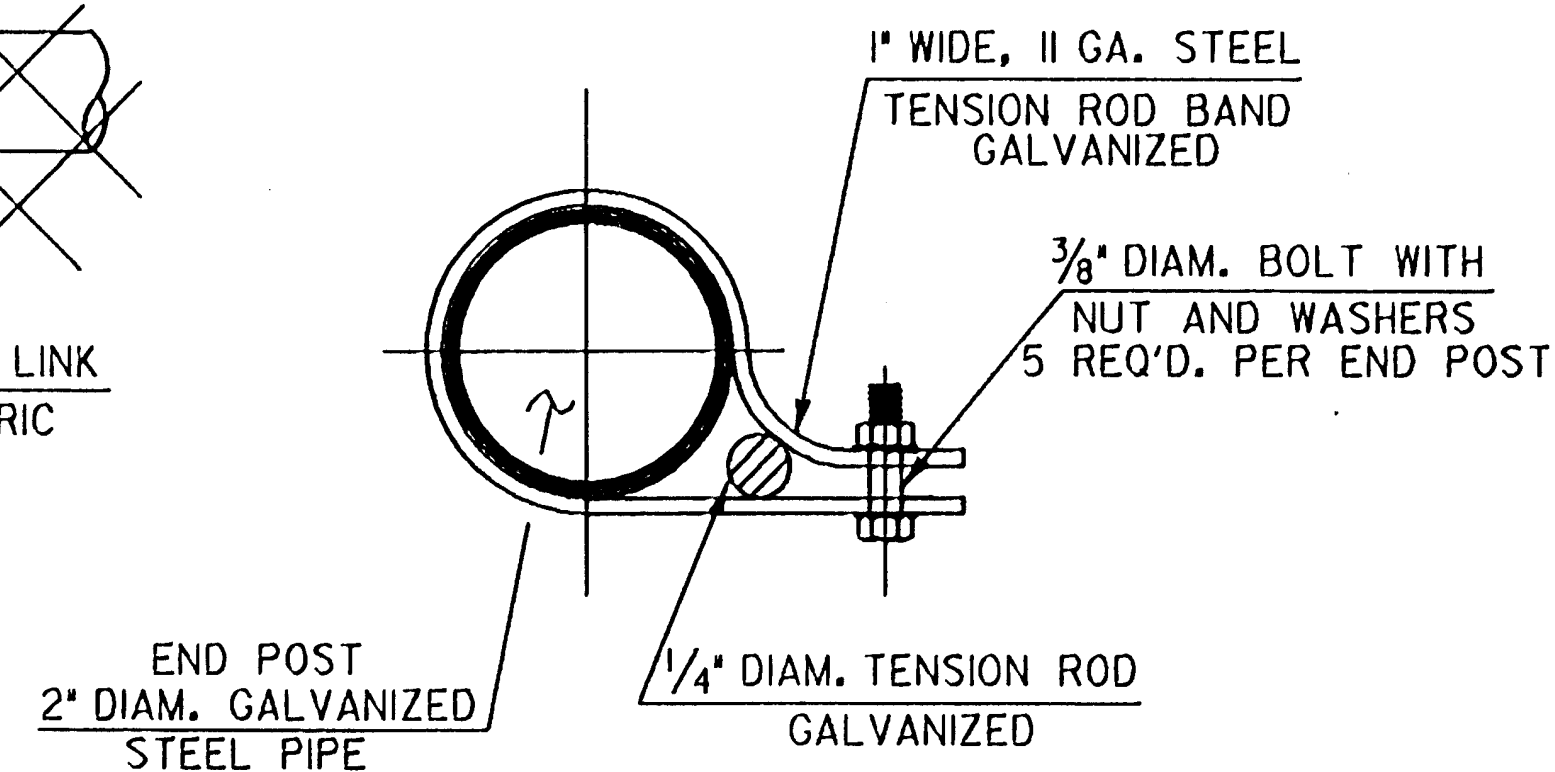
FRONT VIEW



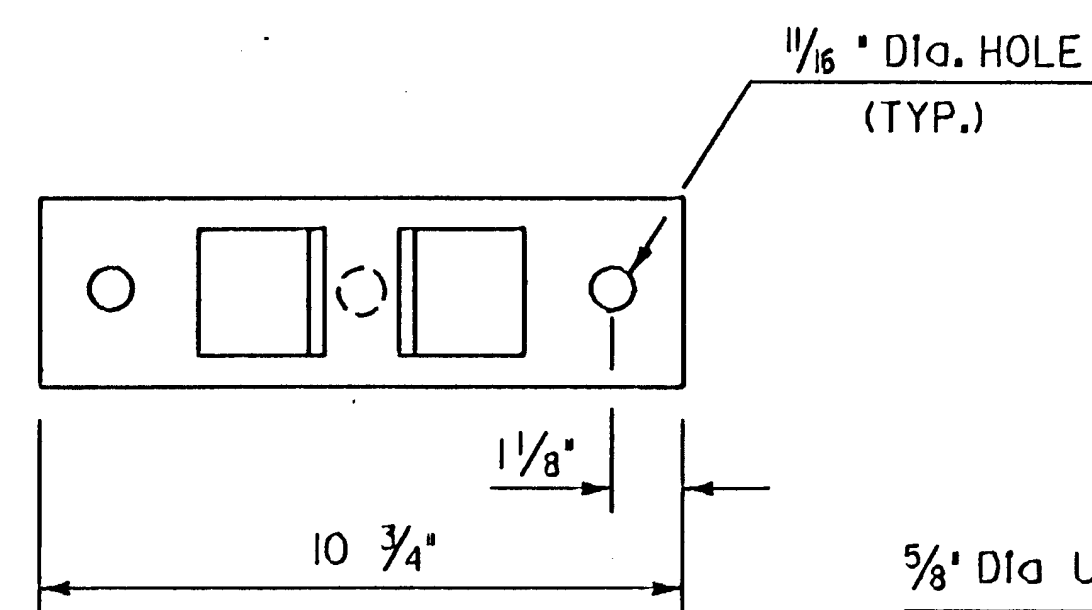
P-1



DETAIL A



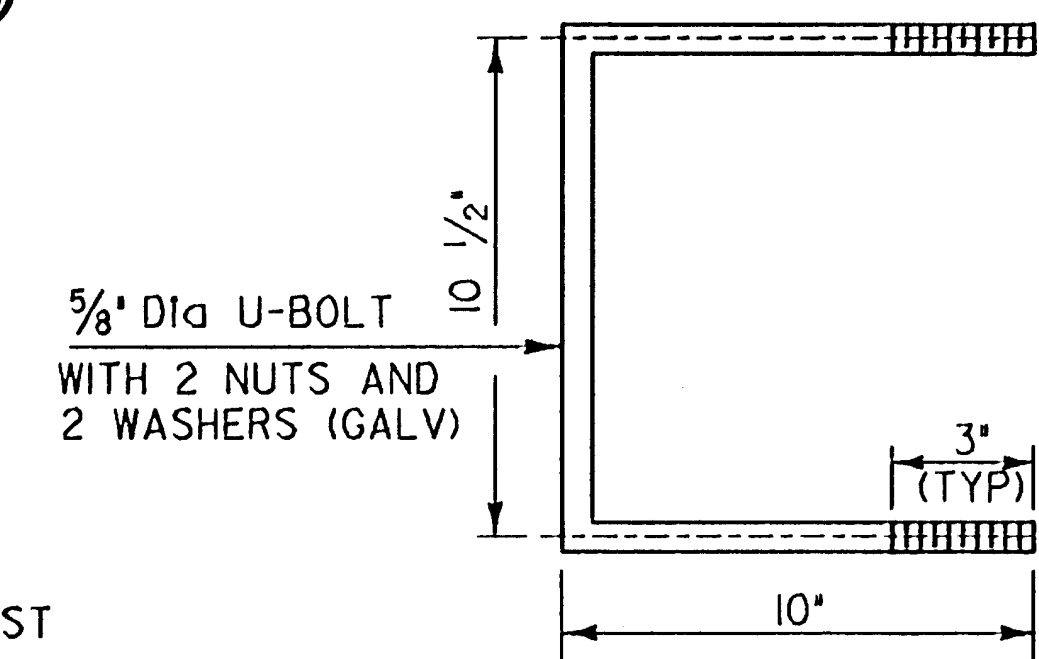
TENSION ROD BAND



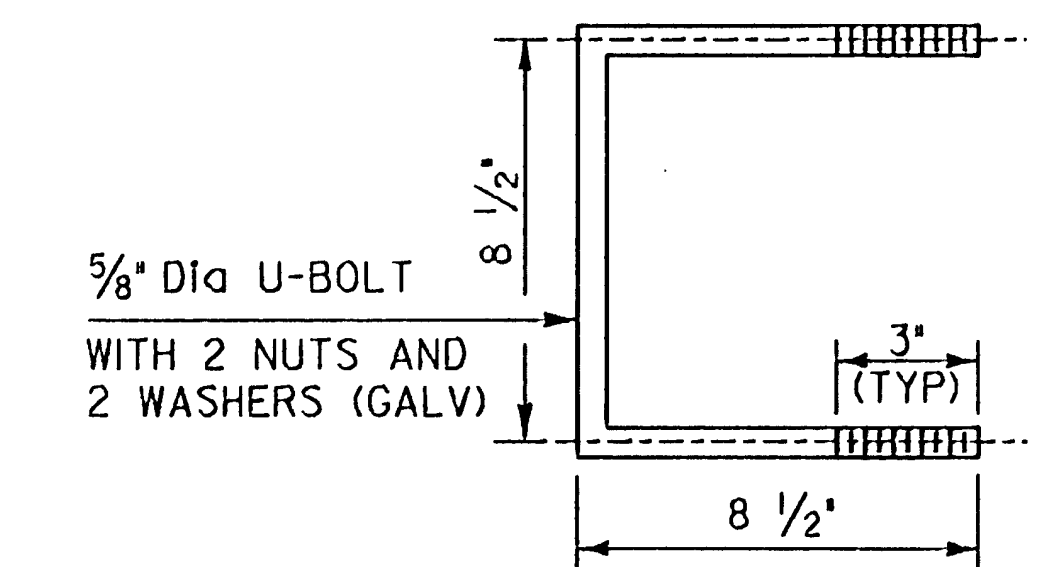
P-2

NOTE: SAME DIMENSIONS AND DETAILS AS P-1 EXCEPT AS SHOWN ABOVE

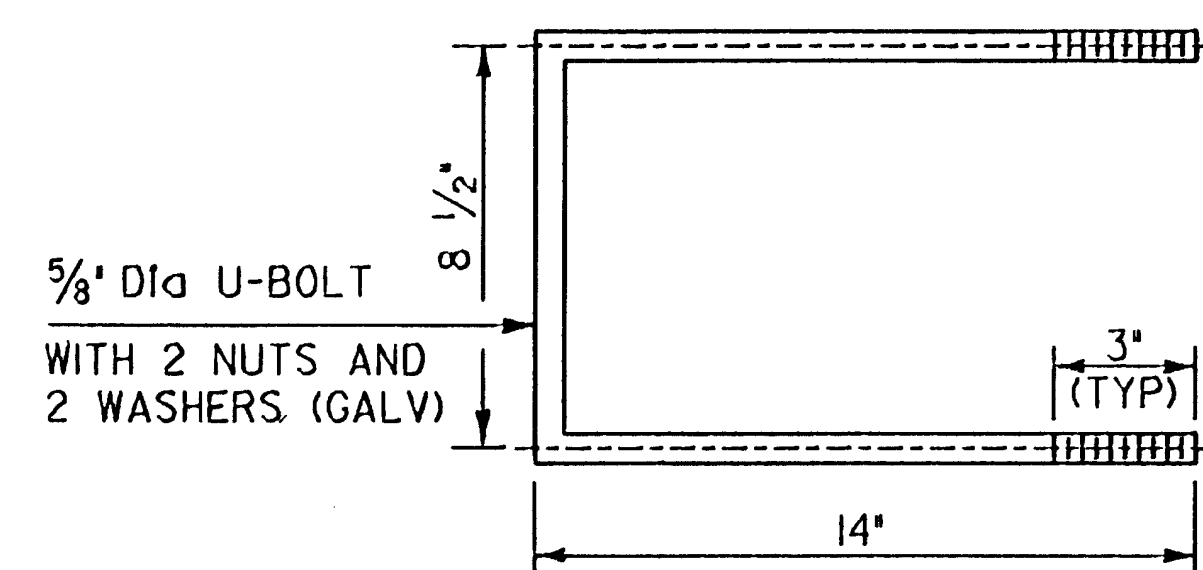
PLAN VIEW



U-1

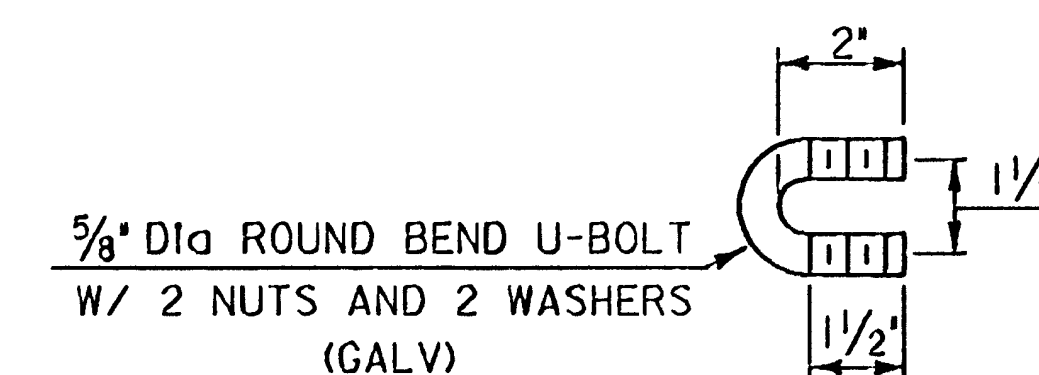


U-2

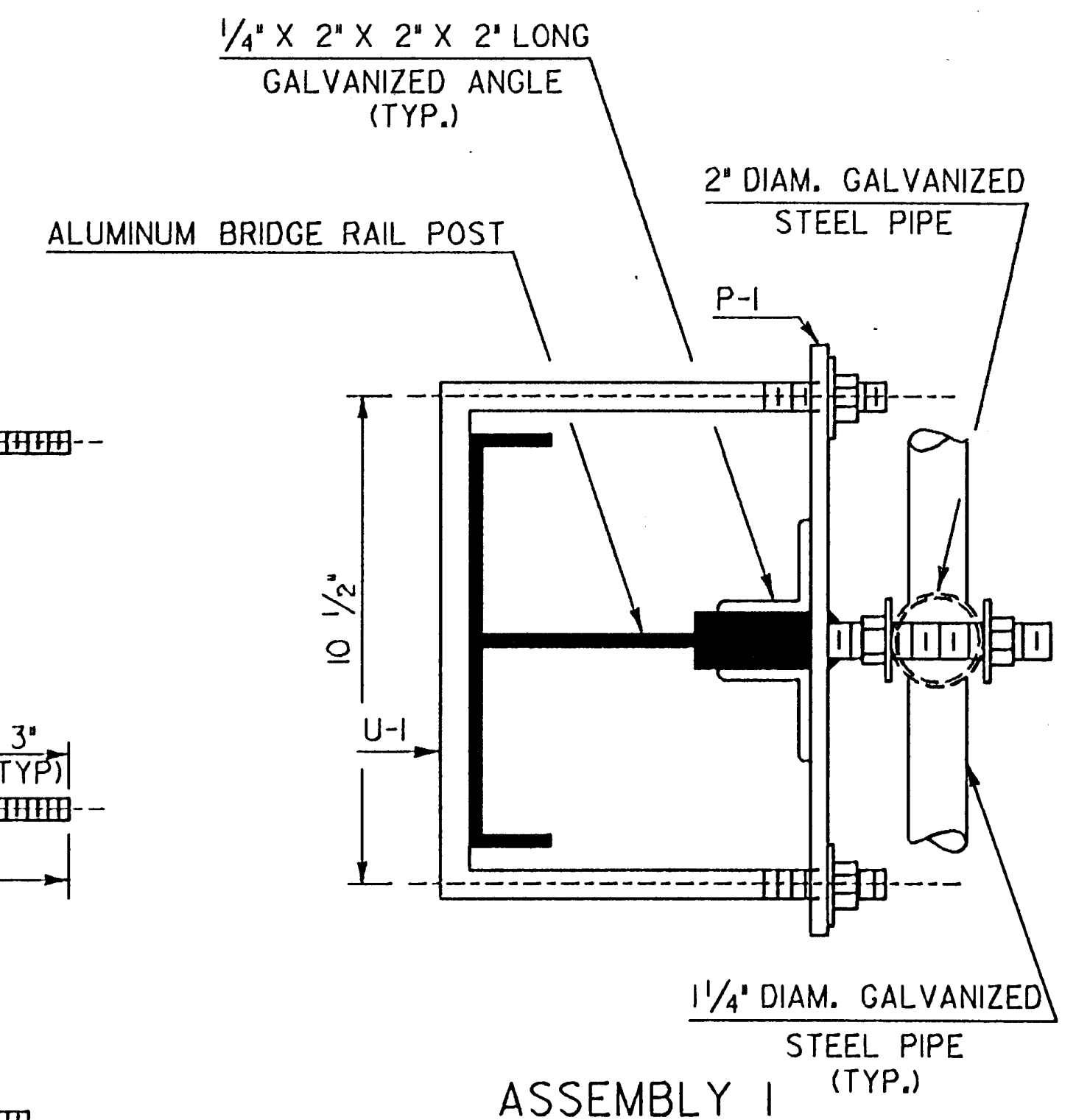


U-4

(USED WITH EITHER 2-RAIL OR 3-RAIL ALUMINUM RAILING THAT HAS OFFSET BLOCKS AND WILL BE USED IN LIEU OF U-2)

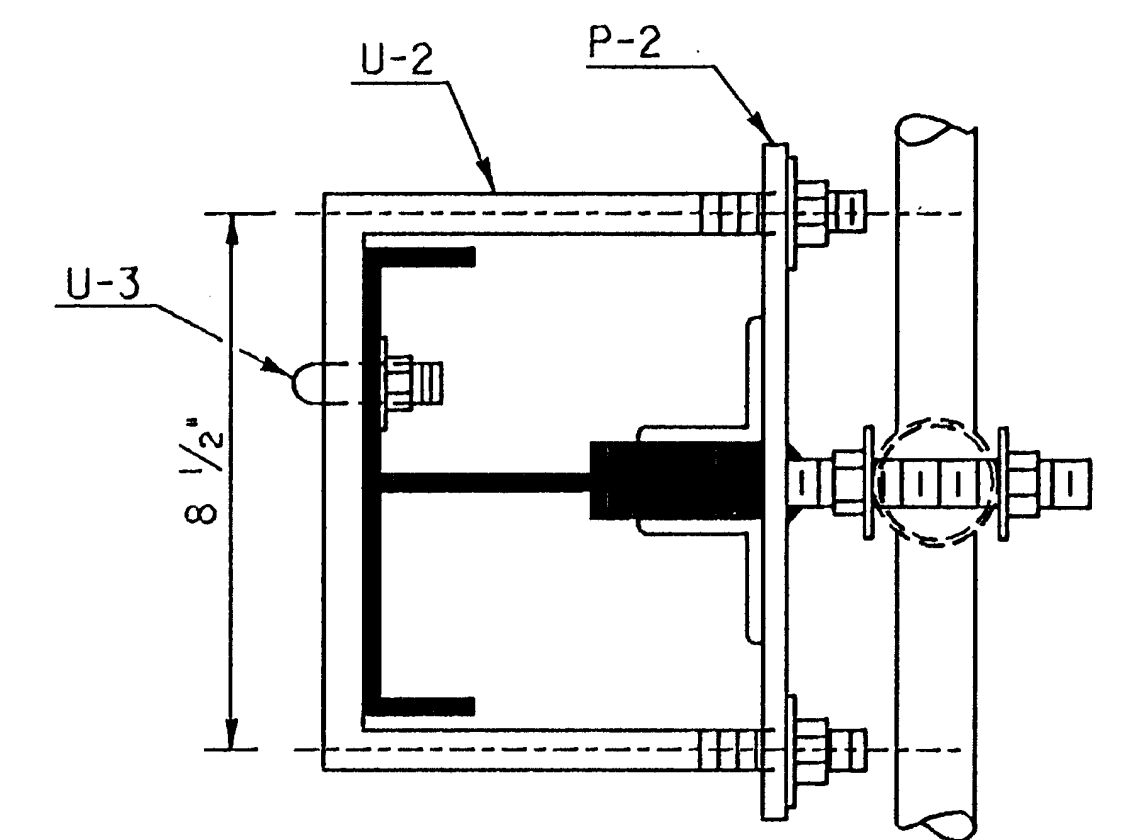


U-3



ASSEMBLY 1

(ASSEMBLY 1 CONSISTS OF U-1 AND P-1 AS SHOWN)



ASSEMBLY 2

(FOR ALUMINUM RAIL WITHOUT OFFSET BLOCKS, ASSEMBLY 2 CONSISTS OF U-2, U-3 AND P-2 AS SHOWN)
(FOR ALUMINUM RAIL WITH OFFSET BLOCKS, ASSEMBLY 2 WOULD CONSIST OF U-4, U-3 AND P-2)

DETAILS ON THIS SHEET ARE NOT TO SCALE
ALL DIMENSIONS IN INCHES UNLESS OTHERWISE NOTED

STATE OF VERMONT AGENCY OF TRANSPORTATION

Town Of	Bridge No.
Highway No.	Log Sta.
	Surv. Sta.
DETAILS FOR USE WHEN ERECTING SNOW FENCE IN CONJUNCTION WITH 2 OR 3 RAIL ALUMINUM RAIL	
Designed By	Drawn By
Checked By	Date
	Bridge Design Supervisor
	Date
PROJECT	PROJECT NO.
SPRINGFIELD-HARTFORD	IR 091-1(20)
I.G.C. Info. ZHI:30J50J50SNOWFENCE.DGN PRF:SNOWFNDET	
Bridge Sheet No.	Sheet 33 of 133.