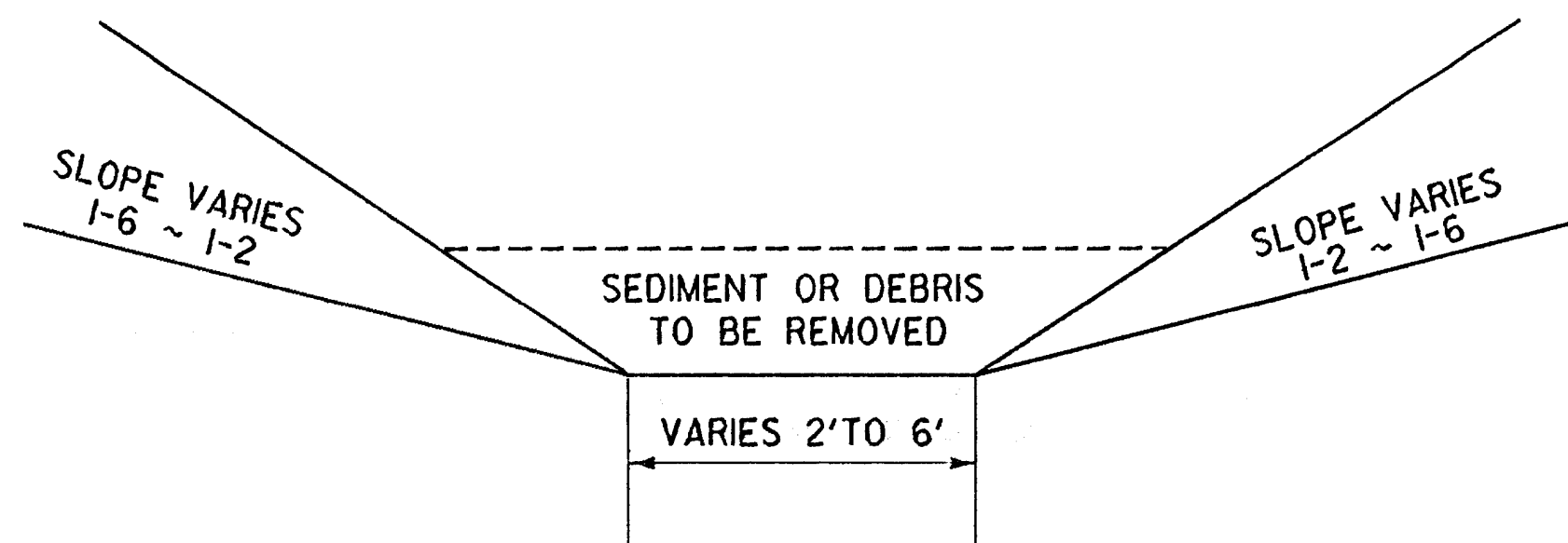


SPRINGFIELD - HARTFORD DETAIL ILLUSTRATION SHEET

TYPICAL DITCH TO BE CLEANED



DITCHES TO BE CLEANED TO THE APPROXIMATE CONFIGURATION OF ORIGINAL CONSTRUCTION OR AS DIRECTED BY THE RESIDENT ENGINEER. PAYMENT TO BE BY CY OF TRENCH EARTH.

REMOVE ENOUGH OVERBURDEN TO PROVIDE A MIN. 4' SHELF, PAY AS COMMON EXCAVATION. CLEARING AND GRUBBING OF THIS AREA TO BE SUBSIDIARY TO COST OF LEDGE REMOVAL.

SEEDING FORMULA - RURAL AREAS

% WT.	LBS. /A.	NAME	PUR %	GERM %
3.33	2	CROWN VETCH	97	75
50.00	30	CREeping RED FESCUE	98	85
8.33	5	TIMOTHY	99	85
16.67	10	PERENNIAL RYE GRASS (VAR. PENNFINE)	95	85
8.34	5	ALFALFA (VAR. SARANAC)	99	85
8.33	5	BIRDSFOOT TREEFOIL (VAR. EMPIRE)	98	85
5.00	3	HIGHLAND BENT GRASS	92	85
100.00	60			

SEED MIXTURE:
SHALL NOT HAVE A WEED CONTENT EXCEEDING 0.40% BY WEIGHT AND SHALL BE FREE OF ALL NOXIOUS SEED.

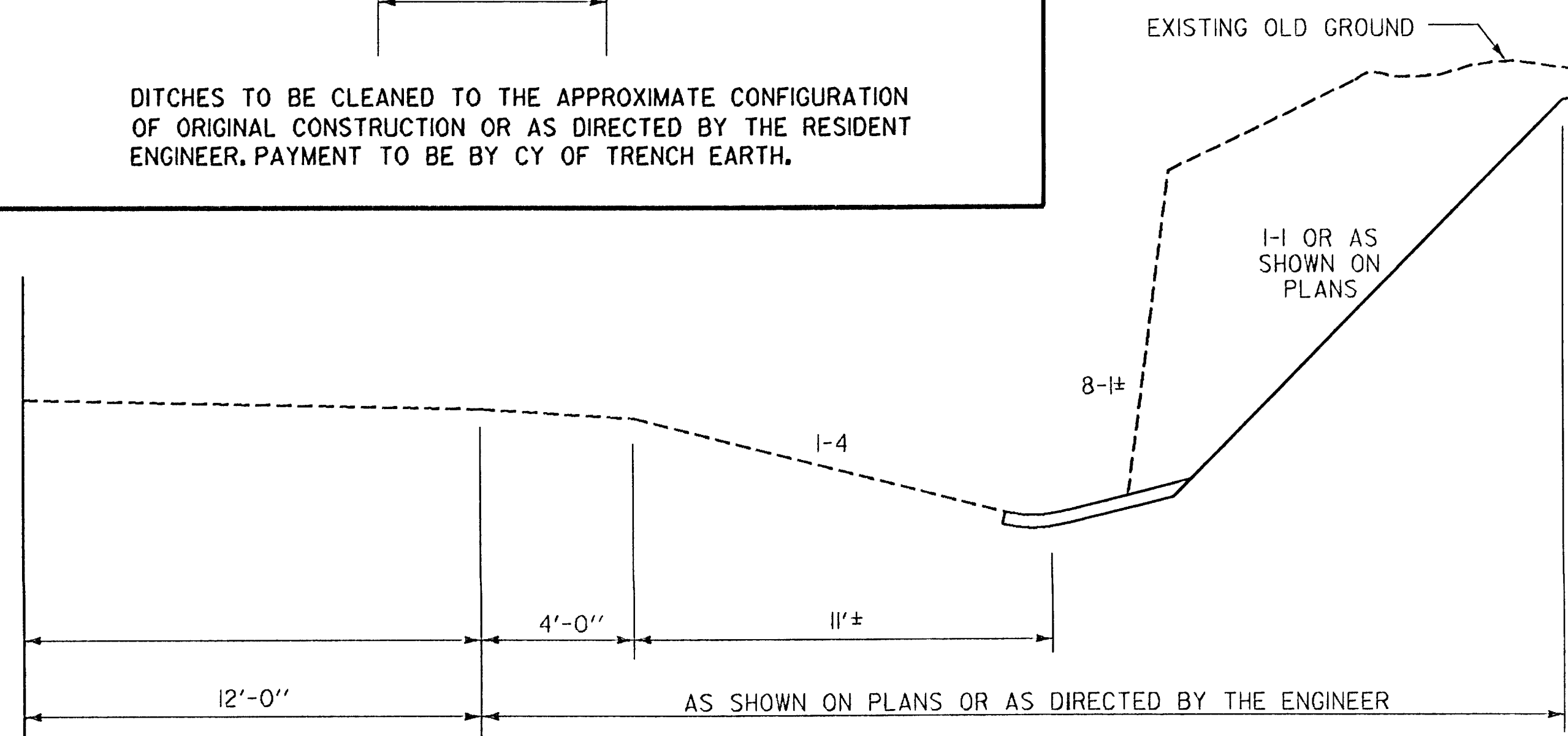
SEED:
TO BE APPLIED PER SEEDING FORMULAS OR AS DIRECTED BY THE ENGINEER.

FERTILIZER:
FORMULA 10-20-20, TO BE USED WITH SEED, APPLIED AT THE RATE OF 500 LBS./ACRE.

AGRICULTURAL LIMESTONE:
TO BE APPLIED AT THE RATE OF 2 TONS/ACRE, OR AS DIRECTED BY THE ENGINEER.

HAY MULCH:
TO BE PLACED ON EARTH SLOPES AT THE RATE OF 2 TONS/ACRE, OR AS DIRECTED BY THE ENGINEER.

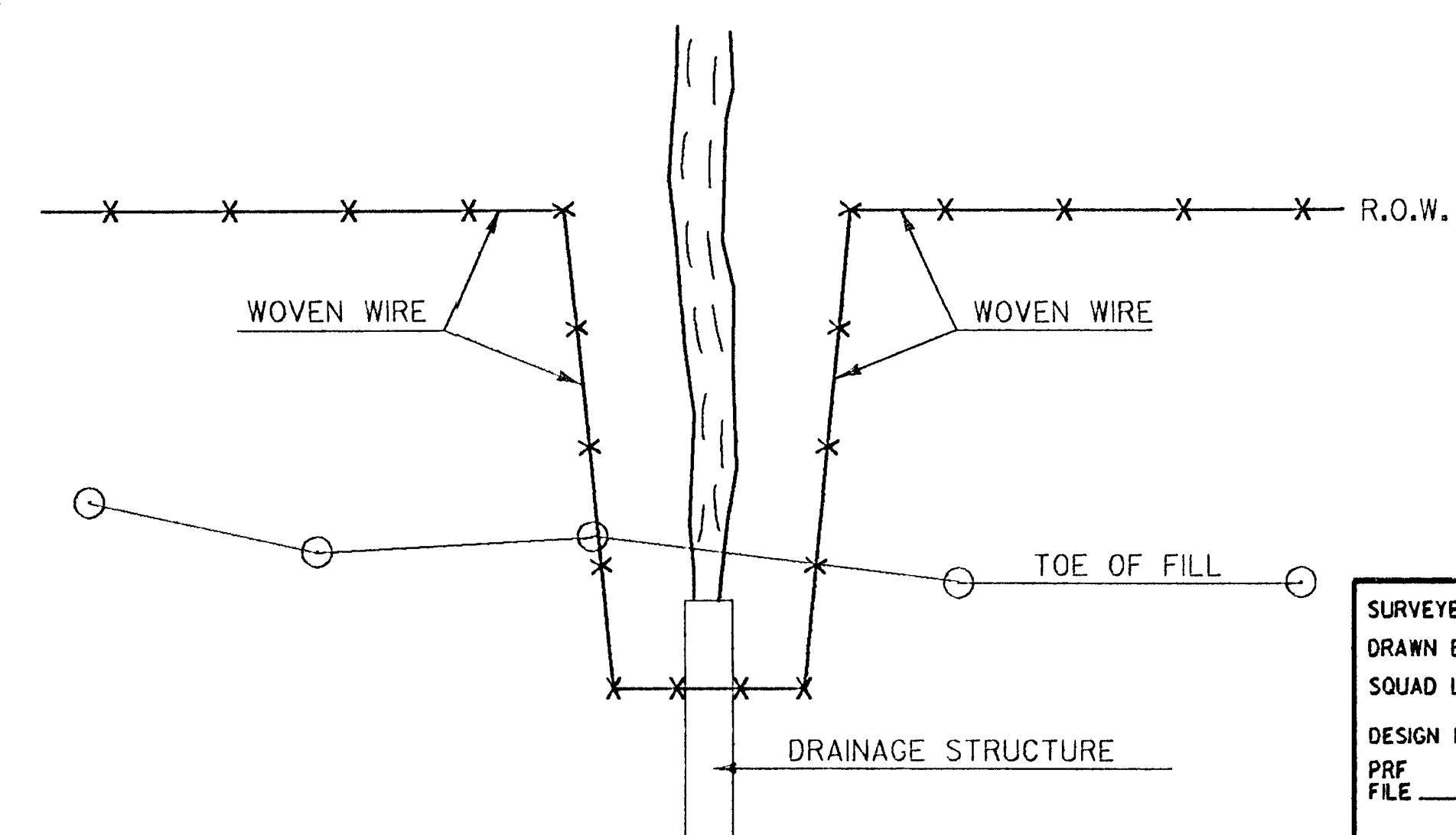
SEED, FERTILIZER, LIMESTONE, AND MULCH TO BE APPLIED, PER THE ABOVE FORMULA, TO ALL AREAS WHERE SOIL IS DISTURBED.



EXAMPLE OF LEDGE REMOVAL

NOTE: COST OF GAINING ACCESS TO THE TOP OF LEDGE CUTS TO BE THE RESPONSIBILITY OF THE CONTRACTOR. THE RESIDENT ENGINEER SHALL BE RESPONSIBLE FOR THE APPROVAL OF THE ROUTE USED.

STREAM CROSSING DETAIL FOR WOVEN WIRE FENCE



TO BE USED WHEN WOVEN WIRE NOT DIRECTLY TIED INTO WINGWALL OR HEADWALL.

SURVEYED BY _____ DATE _____
 DRAWN BY GAGNON DATE 1-91
 SQUAD LEADER D.F. HALE
 DESIGN FILE NO. 150.561 87A025.DGN
 PRF FILE 87A025TYO DATE PLOTTED 30-JAN-1992
 PROJ. NAME SPRINGFIELD-HARTFORD
 PROJ. NO. IR 091-1(20)
 SHEET 3 OF 133 SHEETS

CLEARANCE AREA FOR TYPE "B" SIGNS THINNING AND TRIMMING, MODIFIED ITEM 201.31

THE CONTRACTOR SHALL REMOVE ALL WOODY STEMMED GROWTH INCLUDING BRUSH, SAPLINGS, TREES AND TREE LIMBS GROWING WITHIN OR PROJECTING INTO THE CLEARANCE AREA AND DOWN TO GROUND LEVEL OR AT LEAST 10' BELOW THE BOTTOM OF THE SIGN, WHICH EVER IS LESS. PAYMENT WILL BE FOR THINNING & TRIMMING MOD., ITEM 201.31 AND PAID PER SITE. NO CHEMICALS (POISONS OR DEFOLIANTS) ALLOWED.

