

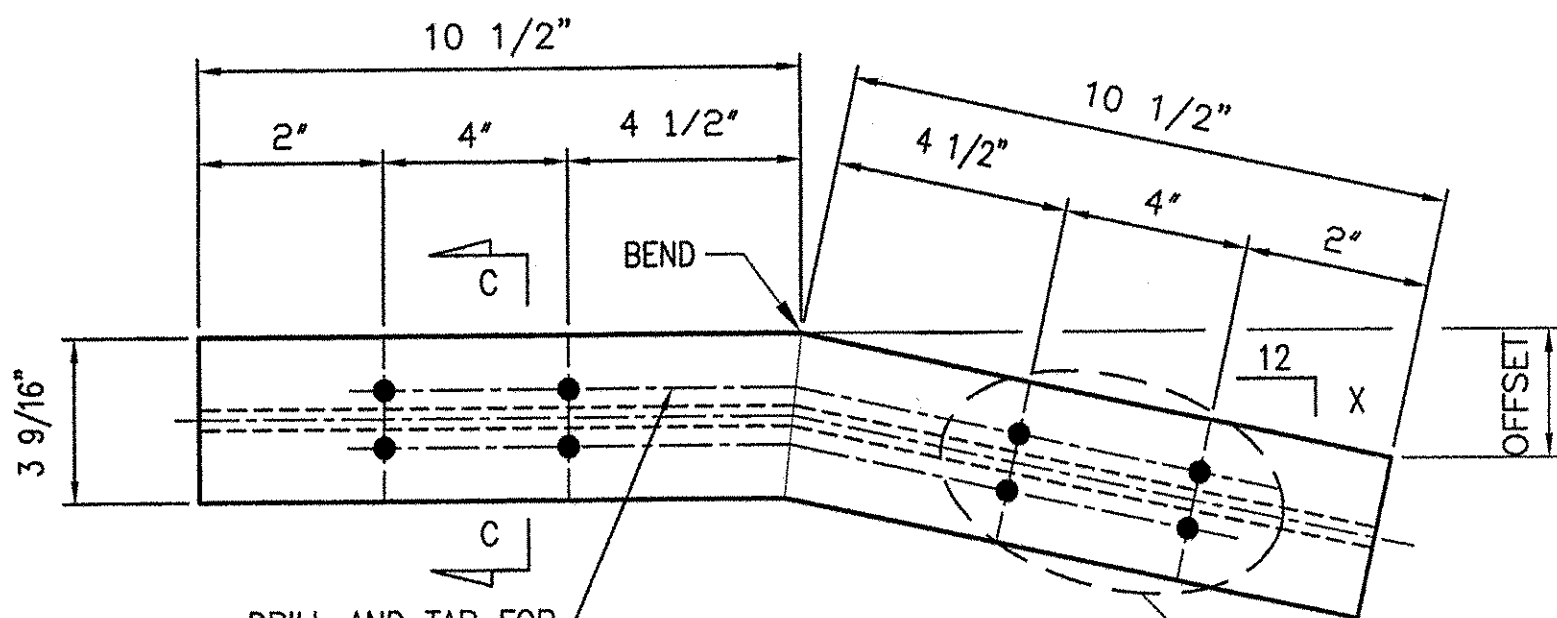
8 REQ'D. ~ SS-12-A1

SECTION B-B  
SS-12-A\*



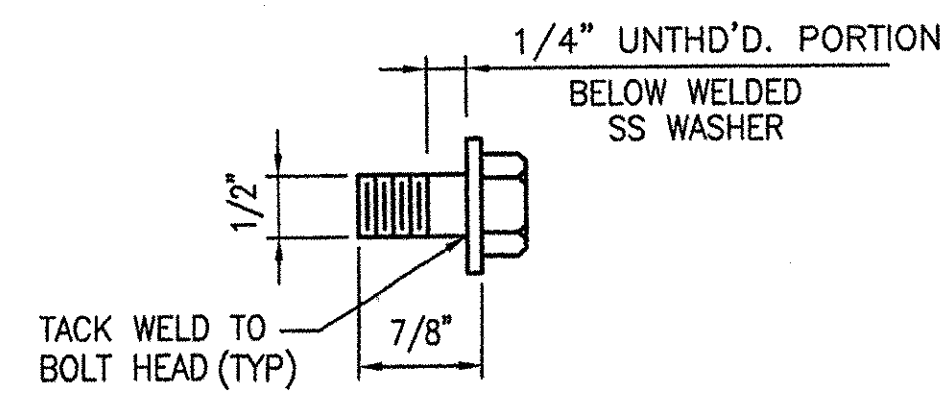
SECTION C-C

BARRIER RAIL SPLICES				
MK.	QTY.	X	OFFSET	
SS-03-G1	8	7/16	5/8"	
SS-03-G2	8	3/16	1/4"	

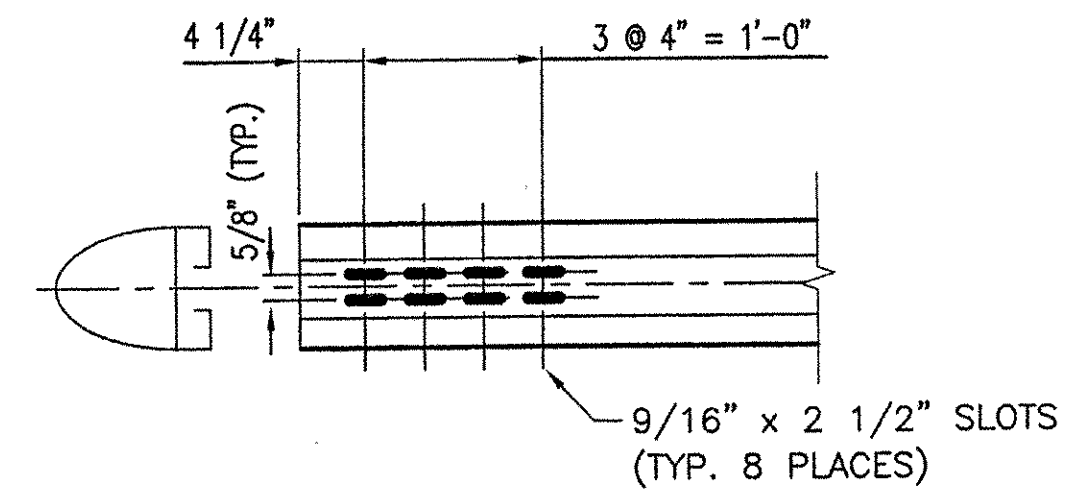


FOR ONE (1) NW  
SS-03-H1 ONLY:  
USE 1" LG. BOLTS  
ON OFFSET BLOCK  
SIDE OF SPLICE

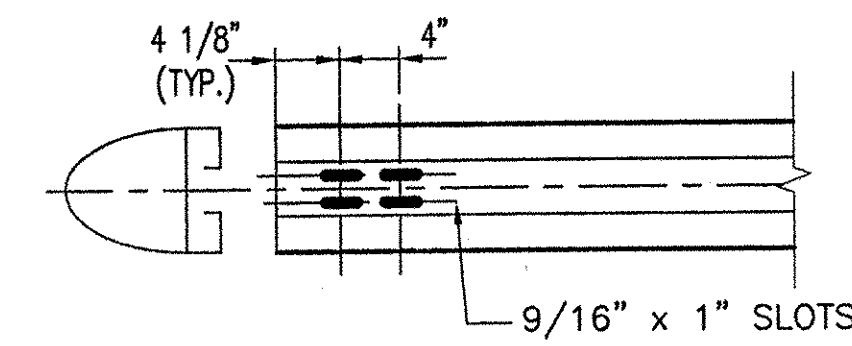
BARRIER RAIL SPLICES				
MK.	QTY.	X	OFFSET	
SS-03-H1	8	7/16	3/8"	
SS-03-H2	8	3/16	3/16"	



SPlice Bolt Details



SLOT Detail C



SLOT Detail D

BILL OF MATERIAL

PIECE MARK	NO. REQ'D.	DESCRIPTION	LENGTH		REMARKS
			FT.	IN.	
	32	ALUMINUM POSTS #1 <sub>R</sub> THRU #4 <sub>R</sub>	6	6	ON C
	24	~do~ #5 <sub>R</sub> THRU #7 <sub>R</sub>	6	0	
	8	ALUMINUM OFFSET BLOCKS	2	3 5/16	
	8		2	1 3/8	
	8		1	11 7/16	
	8		1	9 9/16	
	16		1	2 5/8	
	8	ALUMINUM OFFSET BLOCKS	1	0 7/8	ON C
	288	1/2" S.S. HEX HD BOLT w/NUT & WASHER	0	1 1/2	FOR OFFSET BLOCKS
CB-01-H	64	ALUMINUM CLAMP BARS (HANDRAIL)	0	7 1/8	SEE DETAIL
CB-03-A	224	~do~ (BARRIER RAIL)	0	7 1/8	
	576	1/2" STNL. STL. HEX HD. BOLTS	0	1	
	576	1 1/16" O.D. x 17/32" I.D. x 3/32" ALUM WASHER			
SS-03-G1	8	ALUMINUM SPLICE SLEEVE BEND	3	0	
SS-03-G2	8		3	0	
SS-12-A1	8		2	0	
SS-03-H1	8		1	9	
SS-03-H2	8	ALUMINUM SPLICE SLEEVE BEND	1	9	
	320	1/2" STNL. STL. HEX HD. BOLTS	0	0 7/8	PARTIALLY TH'D
	320	1/2" STNL. STL. WASHER			TACK WELD TO PARTIALLY TH'D BOLT
	8	1/4" ALUMINUM PINS	0	0 3/4	
	8	BACK-UP PLATE 1/4" x 1'-0"	1	9 1/4	
	64	1/2" STNL. STL. HEX HD. BOLTS	0	1	
	64	1 1/16" O.D. x 17/32" I.D. x 3/32" ALUM WASHER			
	8	ALUMINUM END CAP - DRIVE TYPE			HANDRAIL
TB1	8	3 1/8" x 4" SEMI-ELLIP. ALUMINUM RAIL	11	7 1/4	
BB1	16	4" x 4 3/4" SEMI-ELLIP. ALUMINUM RAIL	24	10 1/2	DET. C 1-E, DET. D 1-E

BRIDGE Nos: 10 (MM 6.5) & 21 (MM 17.5)  
PROJ. No: IM IR 089-1(8) ITEM No. 621.74

APPROVED: \_\_\_\_\_ REC'D APPROVAL \_\_\_\_\_  
DRAWING \_\_\_\_\_

L.B. FOSTER COMPANY  
1016 GREENTREE ROAD  
PITTSBURGH, PENNSYLVANIA 15220

FOR: F. R. LAFAYETTE, INCORPORATED  
VERMONT AGENCY OF TRANSPORTATION  
TOWN OF HARTFORD-SHARON-ROYALTON, WINDSOR COUNTY  
HIGHWAY No. 189 ~ 3-LINE ALUMINUM APPROACH RAIL  
MISCELLANEOUS DETAILS & BILL OF MATERIAL

REVISED SPLICE MK. No. (NSO)	Dd	07 09 01
REV. DESCRIPTION	BY	DATE

MADE Dd DATE 02/01/01 JOB No. A03701 CUST. No.  
CHECK DATE DRAWING LB2(LAST) REV. No. ONE