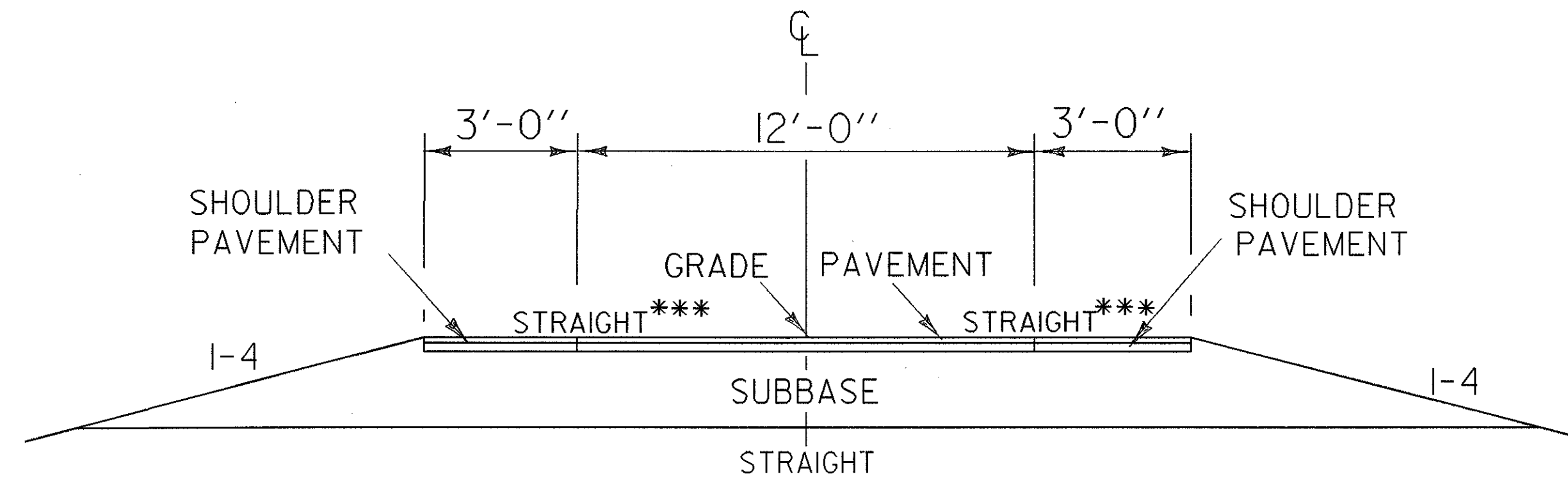


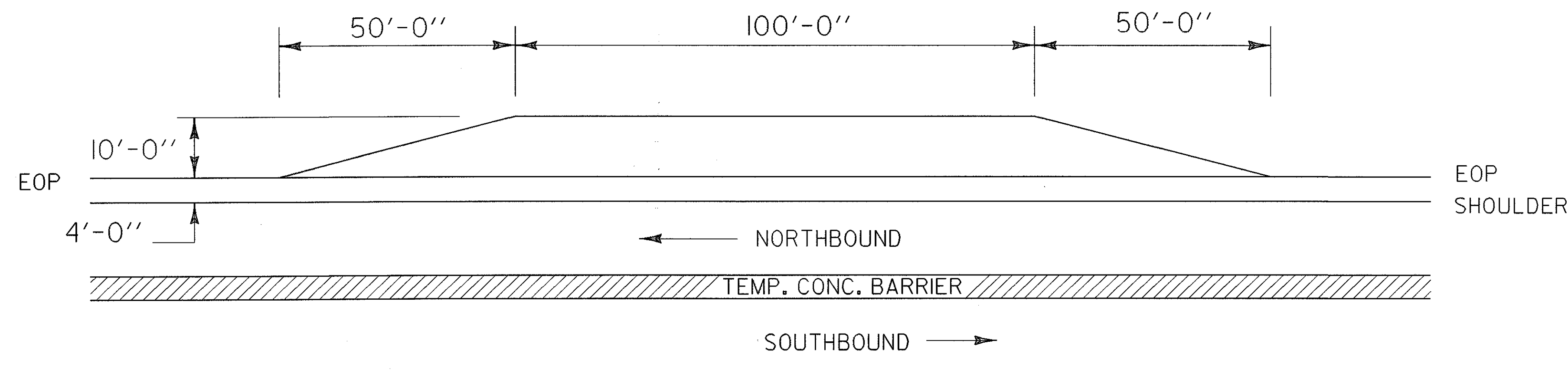
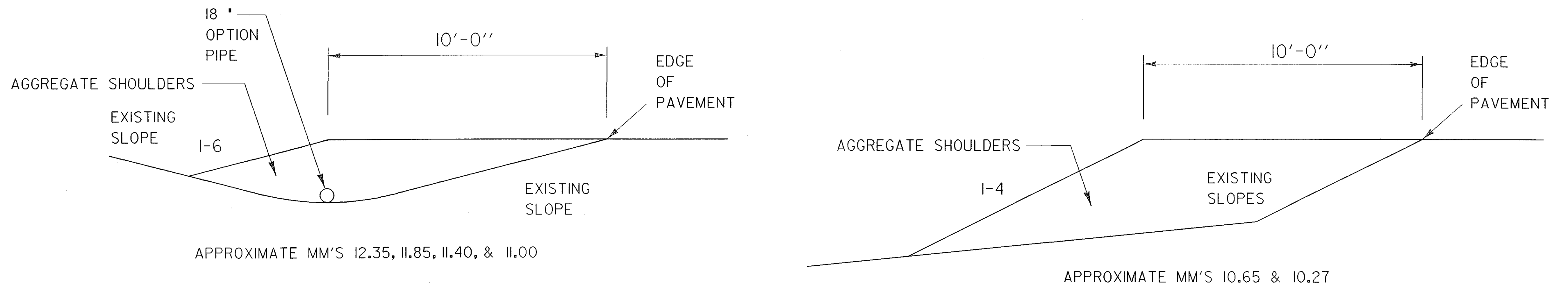
CROSSOVER TYPICAL SECTION

3 1/2" BITUMINOUS CONCRETE PAVEMENT (1 1/2" TYPE III OVER 2" TYPE II) (PG 70-28)
 15" SUBBASE OF DENSE GRADED CRUSHED STONE
 SHOULDERS: 3 1/2" BITUMINOUS CONCRETE PAVEMENT (1 1/2" TYPE III OVER 2" TYPE II) (PG 70-28)



*** CROSS SLOPE VARIES ACCORDING TO BANKING.

EMERGENCY TURNOUT TYPICAL SECTIONS



DETOUR DETAILS

NOT TO SCALE

PROJECT: HARTFORD - ROYALTON	PROJECT NO.: IM IR 089 - 1(8)
DESIGN FILE NAME: /sqda/87a008/da008int.dgn	PLOT DATE: 12-MAR-1999
IPARM FILE NAME: da08g+yp.i	SURVEY DATE:
SURVEYED BY:	DRAWN BY: SODA
SQUAD LEADER: BOMBARIER	SHEET: 244 OF 260