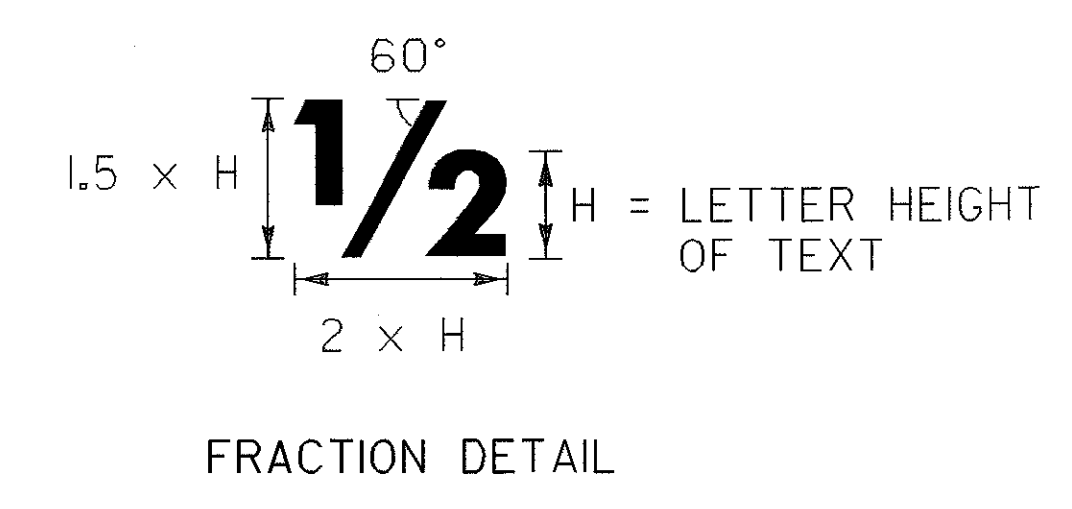
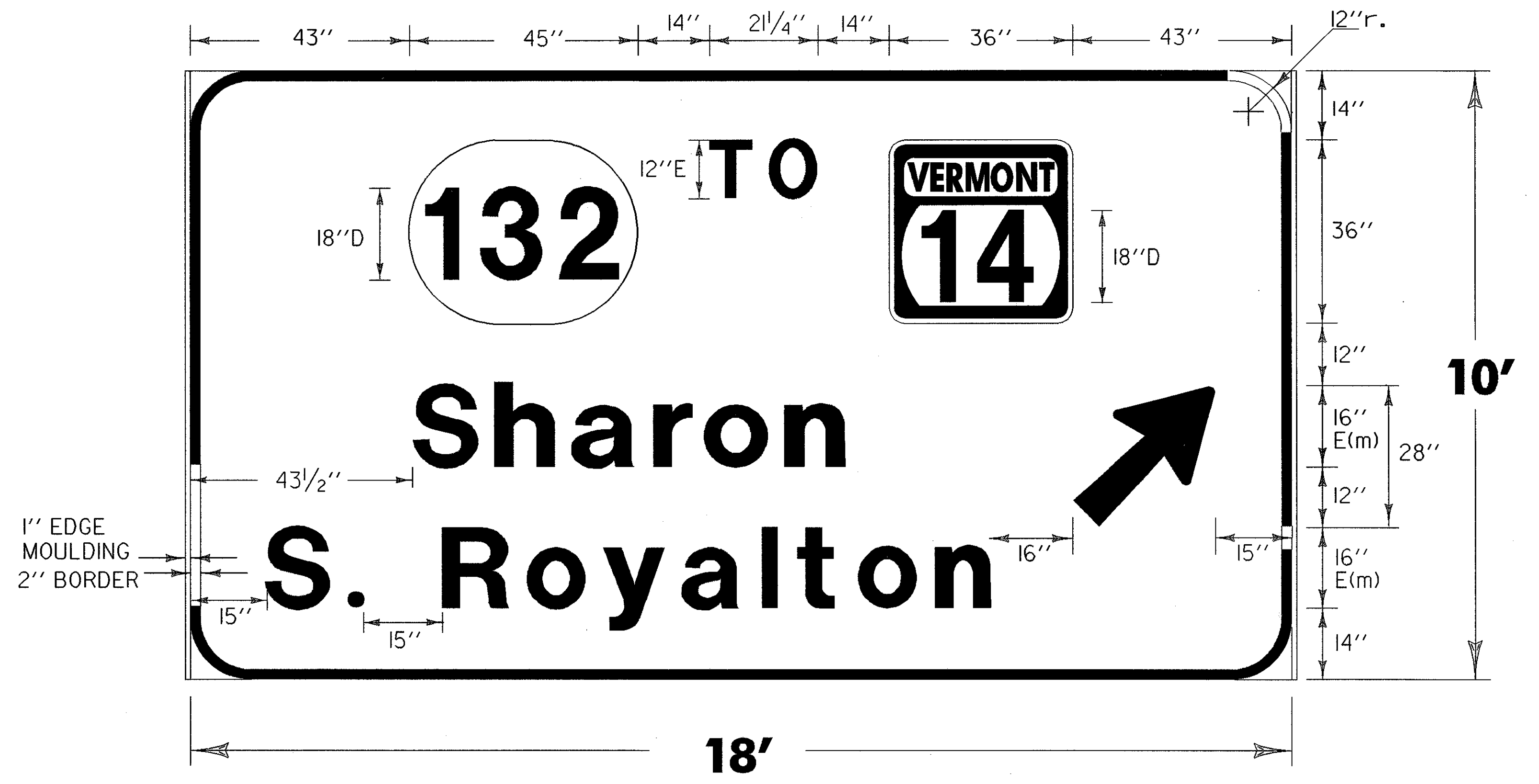


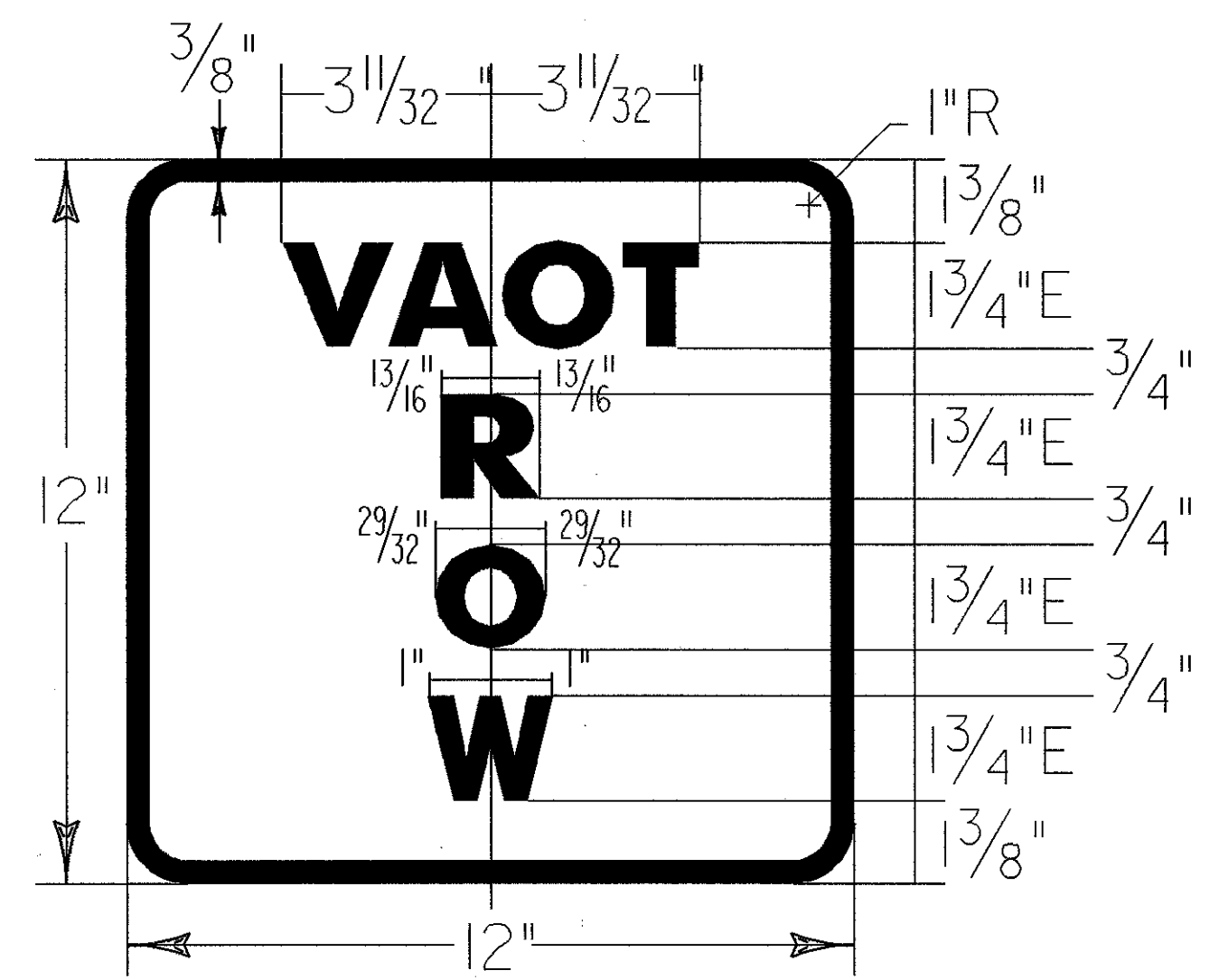
M.M. 12.45 NB



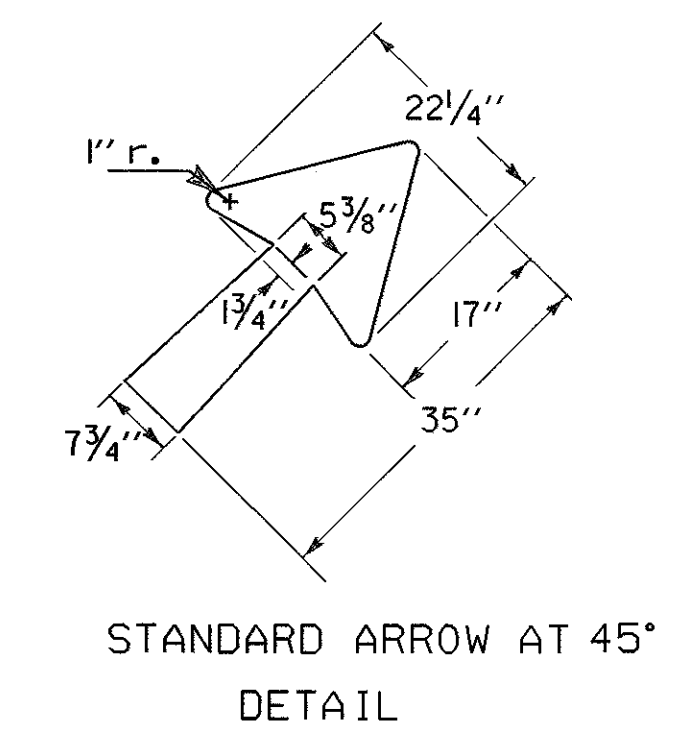
FRACTION DETAIL



M.M. 13.10 NB



VD 340  
WHITE TEXT & BORDER  
WITH GREEN BACKGROUND



STANDARD ARROW AT 45°  
DETAIL

**COLORS**

THE SIGNS SHALL HAVE A REFLECTORIZED WHITE TEXT ON A REFLECTORIZED GREEN BACKGROUND.

**GENERAL**

FOR SIGN MATERIALS SEE STD E-131.  
FOR STATE ROUTE MARKER SEE STD E-136.

TEXT LAYOUT DIMENSIONS ARE BASED ON THE "LETTER & NUMERAL WIDTHS AND SPACE" TABLES FOUND IN THE "STANDARD HIGHWAY SIGNS" BOOKLET. MINOR VARIATIONS IN TEXT DIMENSIONS ARE ACCEPTABLE BASED ON INDIVIDUAL MANUFACTURER'S LETTER FABRICATION. SIGNIFICANT CHANGES WHICH AFFECT SIGN APPEARANCE SHALL BE BROUGHT TO THE ATTENTION OF THE VAOT'S TRAFFIC AND SAFETY DIVISION BEFORE FABRICATION.

<b>NEW SIGNS</b>	PROJECT: HARTFORD-SHARON-ROYALTON	PROJECT NO.: IM IR 089-(18)
	DESIGN FILE NAME: /traf/87a008/ta008sd.dgn IPARM FILE NAME: ta008sd3.1 SURVEYED BY: LCS/LSW SQUAD LEADER: DLP	PLOT DATE: 12-MAR-1999 SURVEY DATE: 11/92 DRAWN BY: LCS SHEET: 239 OF 260