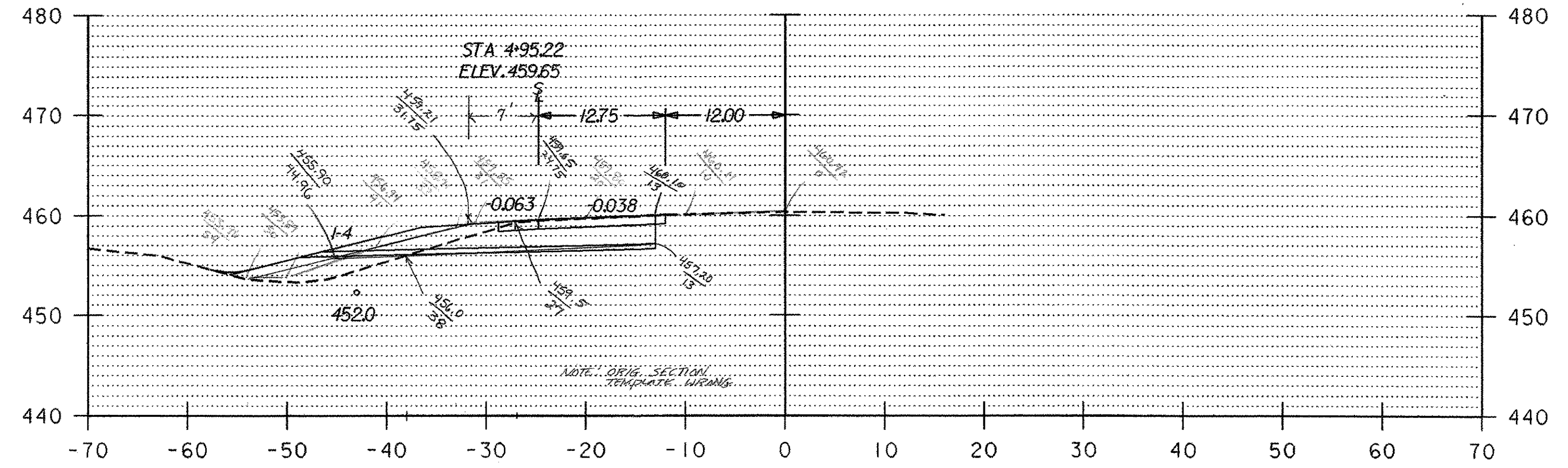
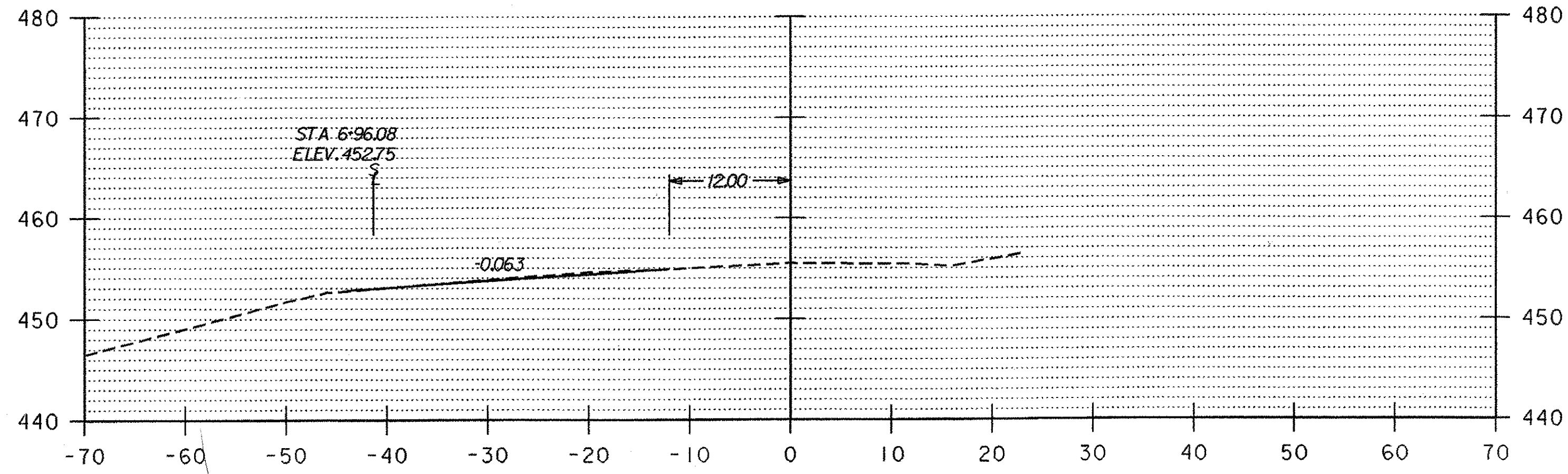


49+50

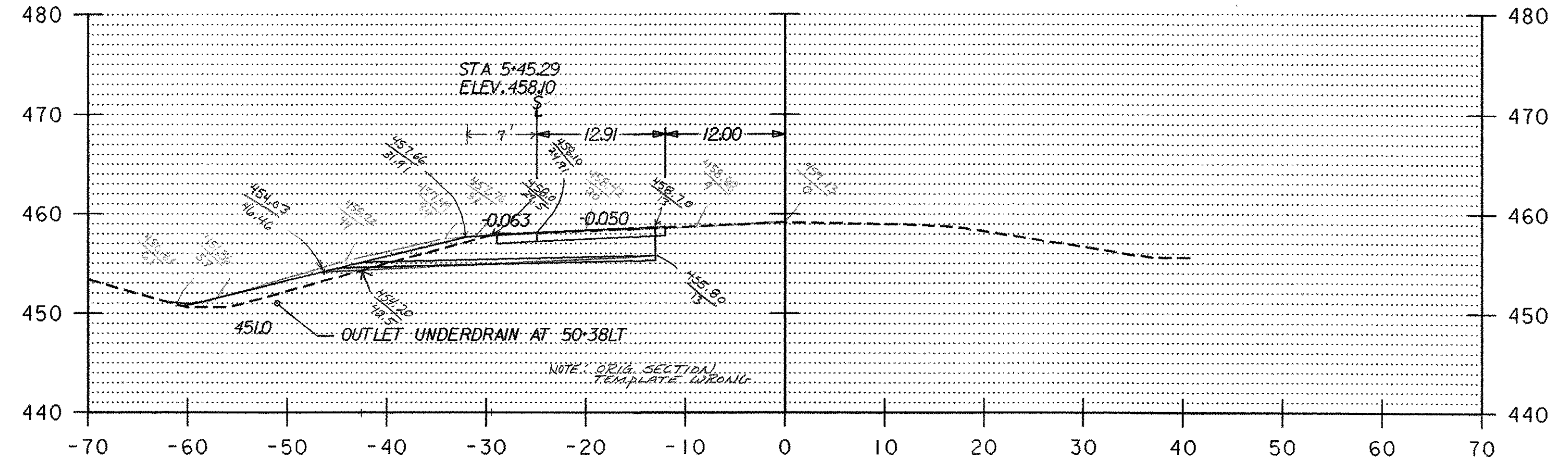


51+00

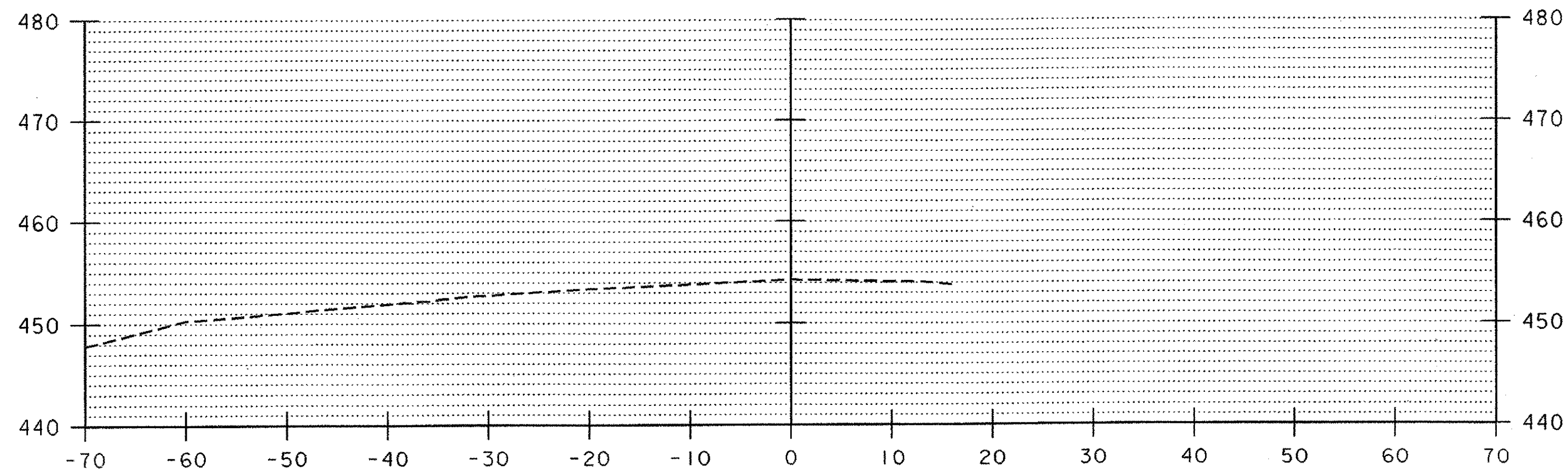


49+00

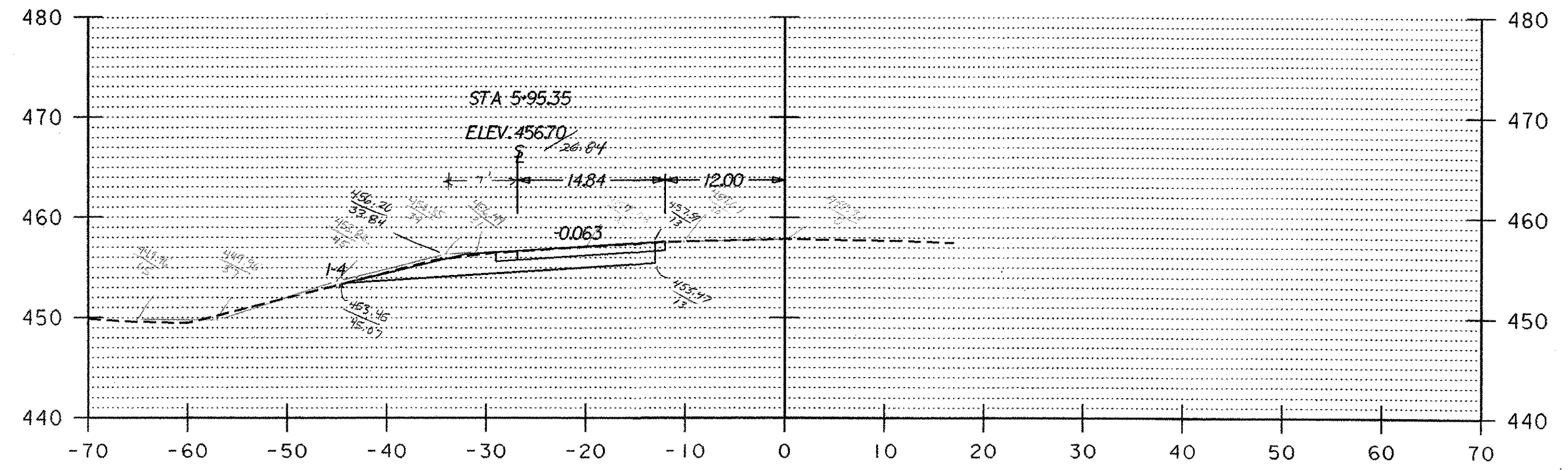
BEGIN APPROACH 48-70



50+50



48+50

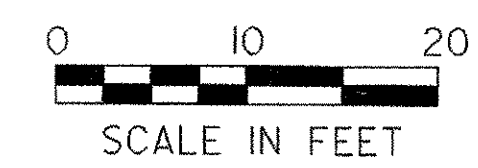


50+00

END APPROACH, BEGIN DECELERATION LANE 49-70 LT

DATUM	
VERTICAL	ASSUMED
HORIZONTAL	N/A

48+50 - 51+00



SURVEYED BY	Zambon	DATE	1/92
DRAWN BY	Ross	DATE	10/94
SQUAD LEADER	BOMBARDIER		
DESIGN FILE NO.	/sqda/87a008/da008Int.dgn		
IPARM FILE	da008xsl1	DATE PLOTTED	12-MAR-1999
PROJ. NAME	Hartford-Sharon-Royalton		
PROJ. NO.	IM IR 089-1(8)		
SHEET	158	OF	260 SHEETS