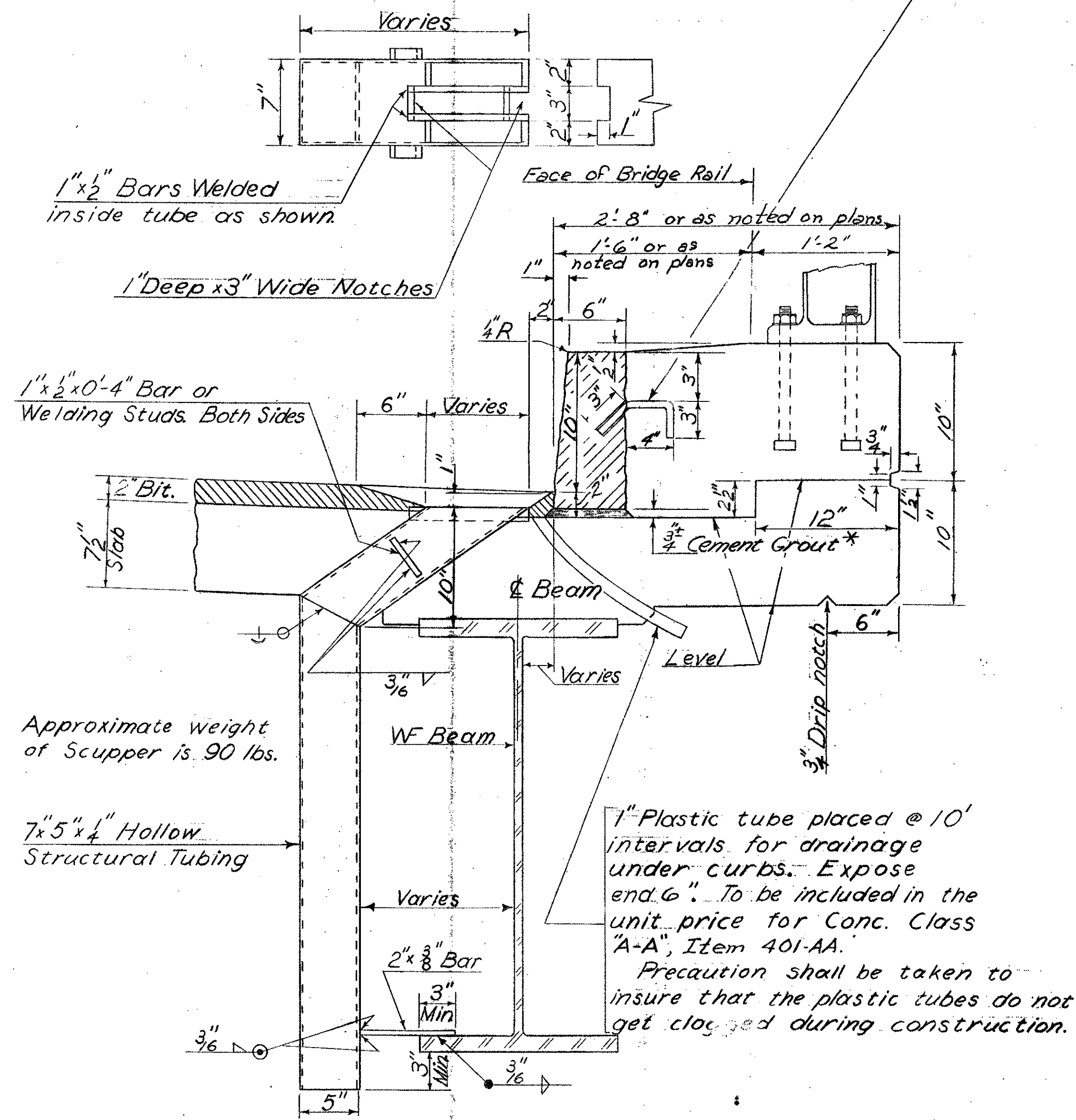


*After aligning the curbs, both horizontally & vertically on steel wedges, cement grout shall be forced under the curbs completely filling all voids.

*4 Bar-12" from either end. (Two required for each curb section.) Drilling & leading of bars to be paid for under the Unit Price bid for Item 556-C.



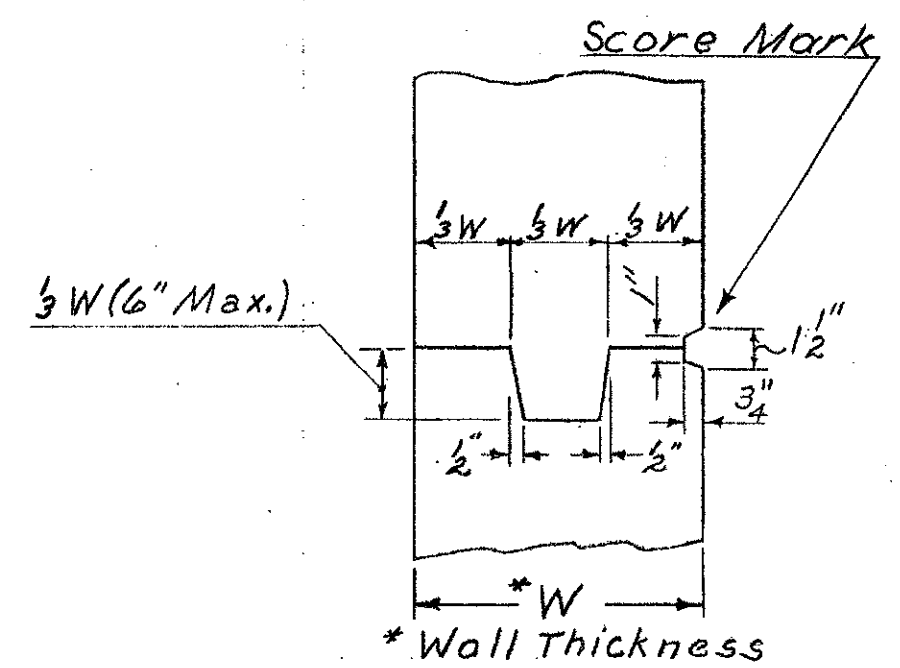
Approximate weight of Scupper is 90 lbs.

7x5x4" Hollow Structural Tubing

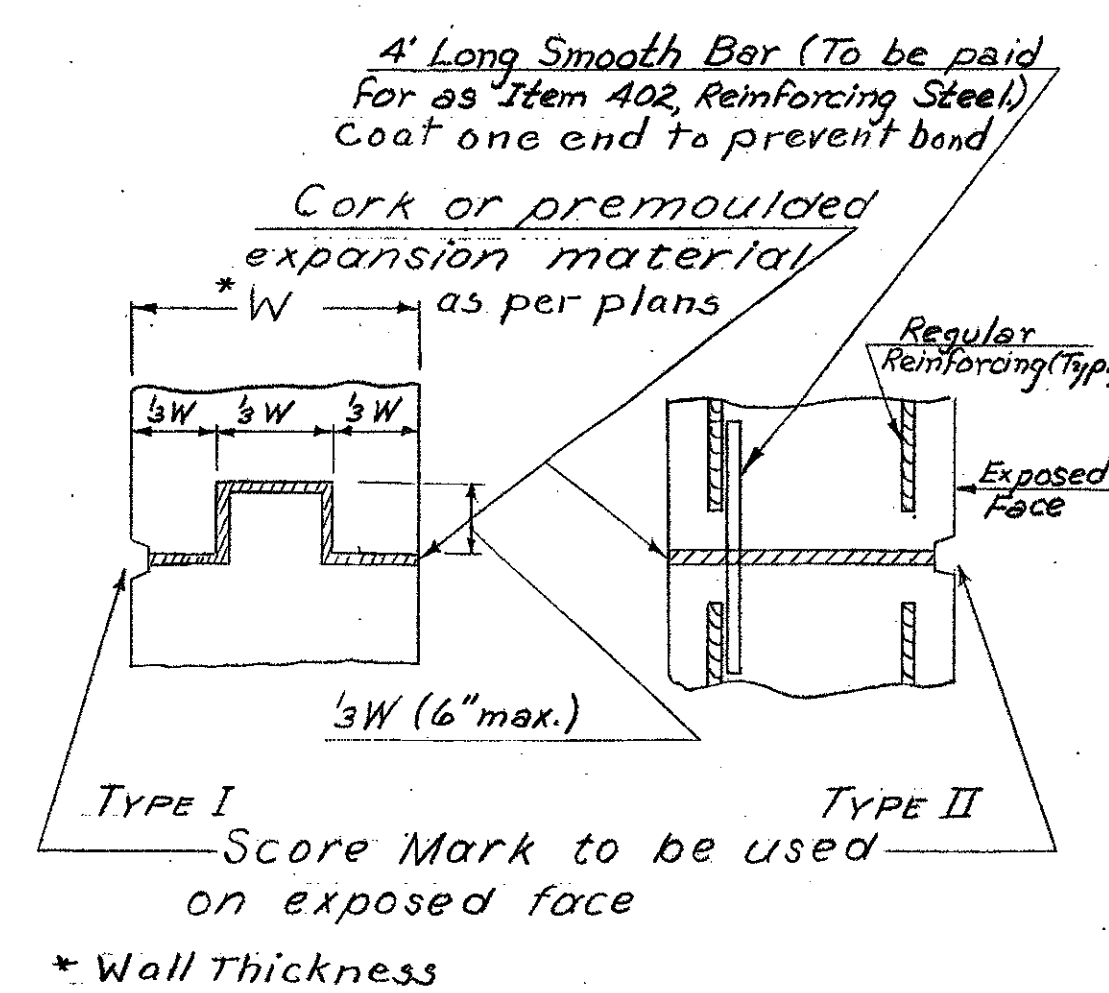
End scupper to be placed midway between E of Brg & first diaphragm assembly. Intermediate scuppers to be placed midway between diaphragm assemblies.

SCUPPER & CURB DETAILS

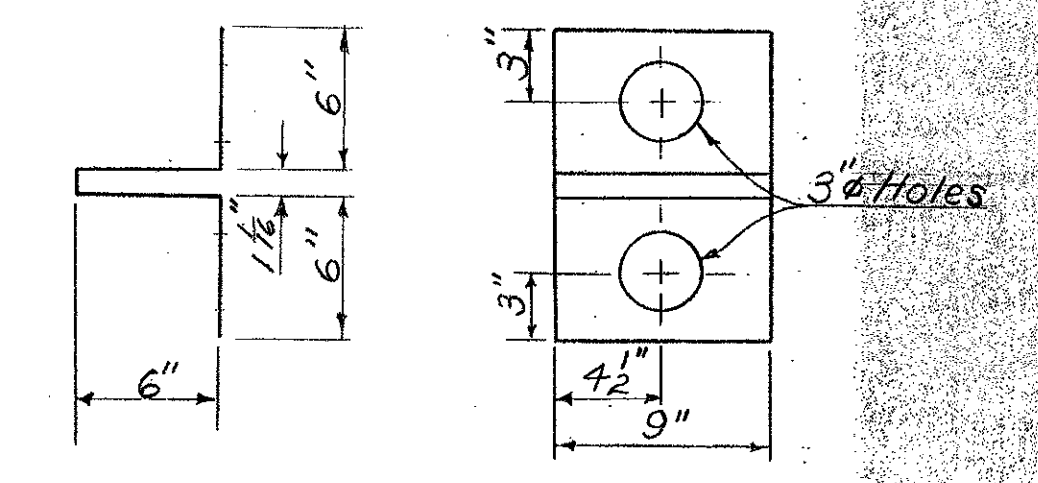
Construction joints shall be placed as indicated on the plans. Horizontal score marks shall be placed as indicated on the plans or as directed by the Engineer.



TYPICAL DETAIL OF CONST JOINT & SCORE MARKS

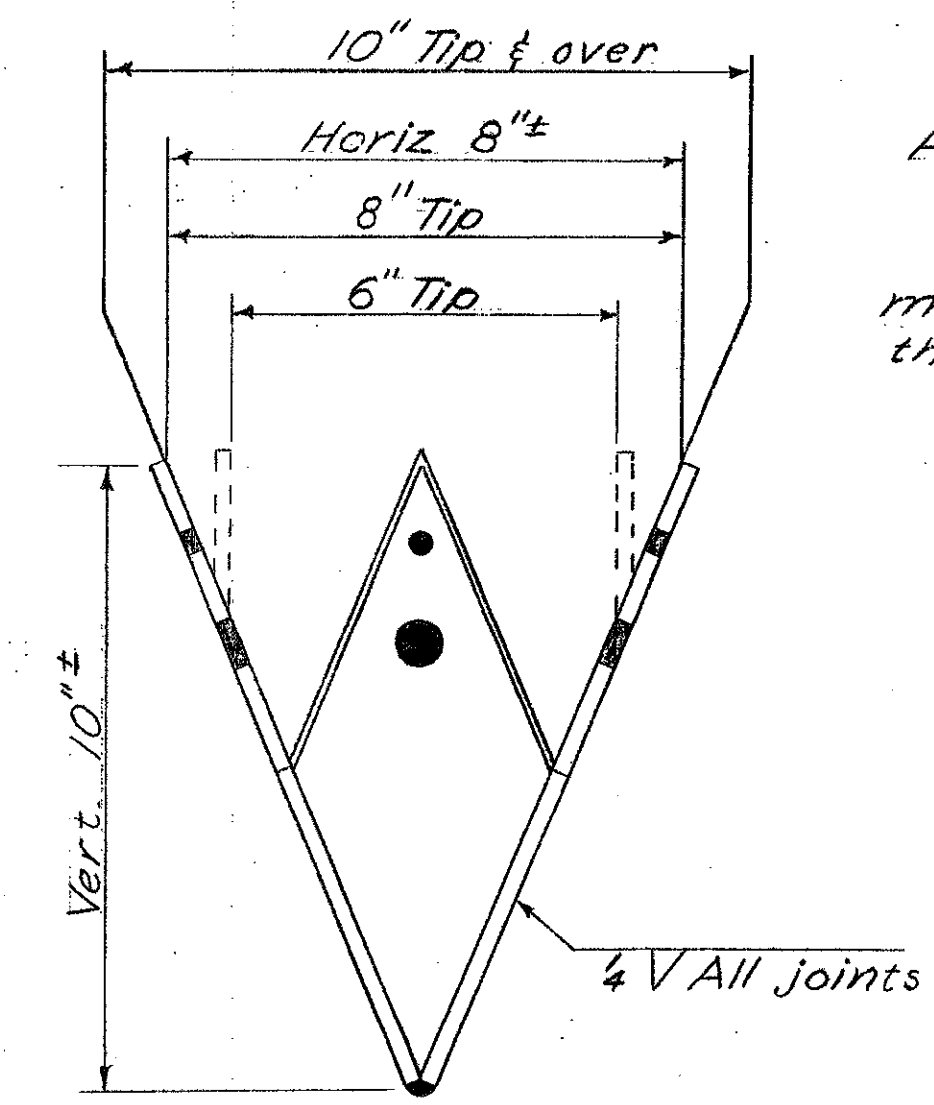


DETAILS OF VERTICAL EXPANSION JOINTS



Support shall be 16 oz. copper. Place supports @ 2' intervals. Furnishing & placing of supports shall be included in the unit price bid for concrete, Item 401.

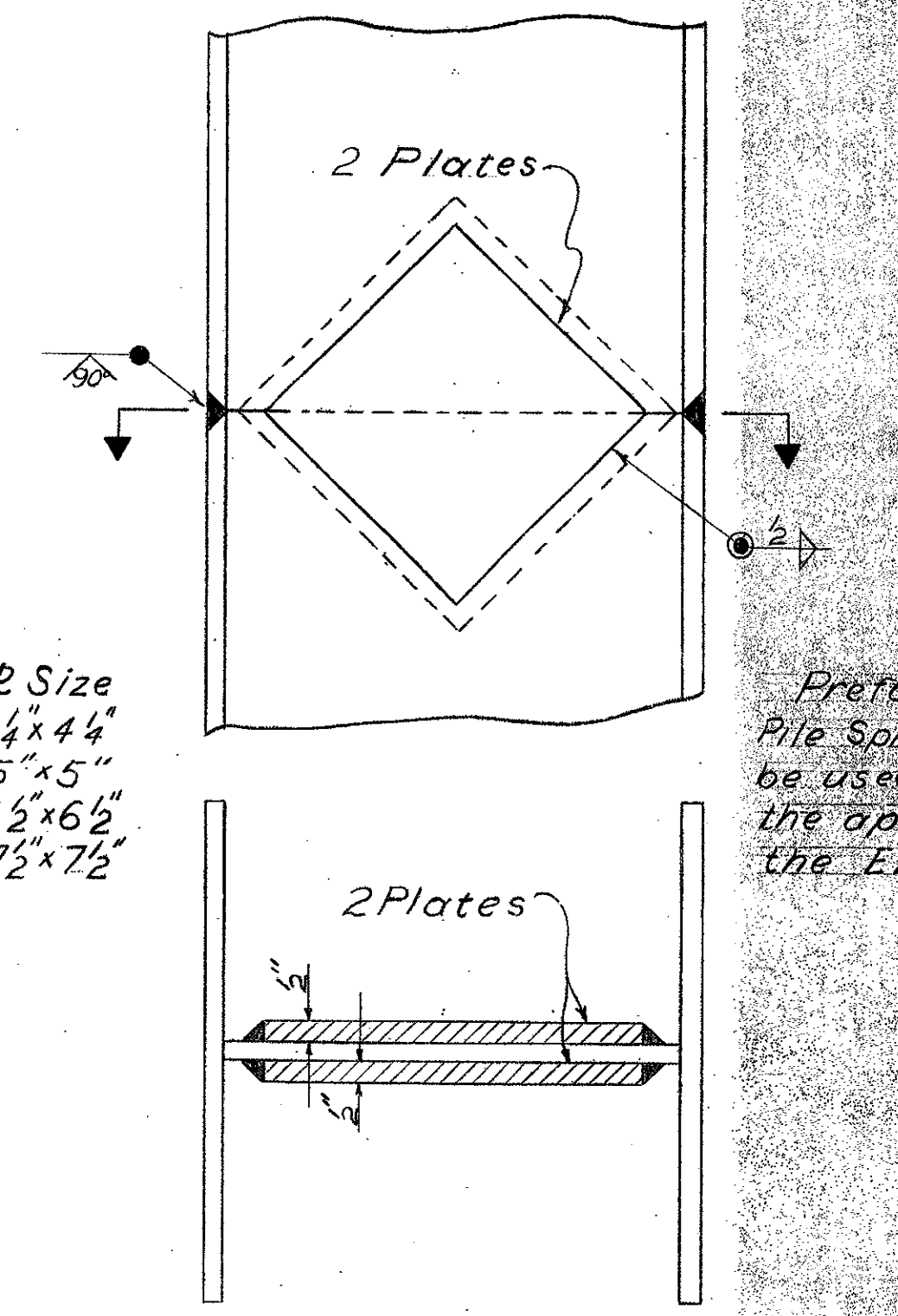
DETAIL OF COPPER SUPPORT FOR EXPANSION MATERIAL



Approximate Weight = 6 1/2 lbs. Other types of shoes may be furnished with the approval of the Engineer.

4 Pcs 4" x 4" x 5" 5/8"

DETAIL OF STEEL SHOE FOR TIMBER PILES



H-Piles	PL Size
8BP	4 1/2" x 4 1/2"
10BP	5" x 5"
12BP	6 1/2" x 6 1/2"
14BP	7 1/2" x 7 1/2"

Prefabricated Pile Splice may be used with the approval of the Engineer.

DETAIL OF PILE SPLICE

REVISIONS & CORRECTIONS

Revised curb dimensions 4-3-7-66

Drawn By: WT 12/1/62 Revised-WT-1/25/65
 Traced By: WT 12/1/62 Revised-WT-1/25/65
 Checked By: EER WMS RSH-12/1/62 Rev WMS 1/25/65
 Recommended For Approval: [Signature] 2/4/65
 Recommended For Approval: [Signature] 2/4/65
 Approved By: [Signature] 2/4/65
 Chief Engineer Date

DETAILS OF W F BEAM BRIDGES

- (A) SCUPPER & CURB DETAILS
- (B)(C)(D) CONSTRUCTION DETAILS
- (E)(F) PILE DETAILS

THIS SHEET IS FOR INFORMATION PURPOSES ONLY
 HARTFORD-SHARON-ROYALTON 114 1R 089-1(68)

VERMONT Bridge Sheet No. BL 168 Sheet 125 of 260
 DEPARTMENT OF HIGHWAYS
 STRUCTURE STANDARDS
SCB-D6-65