

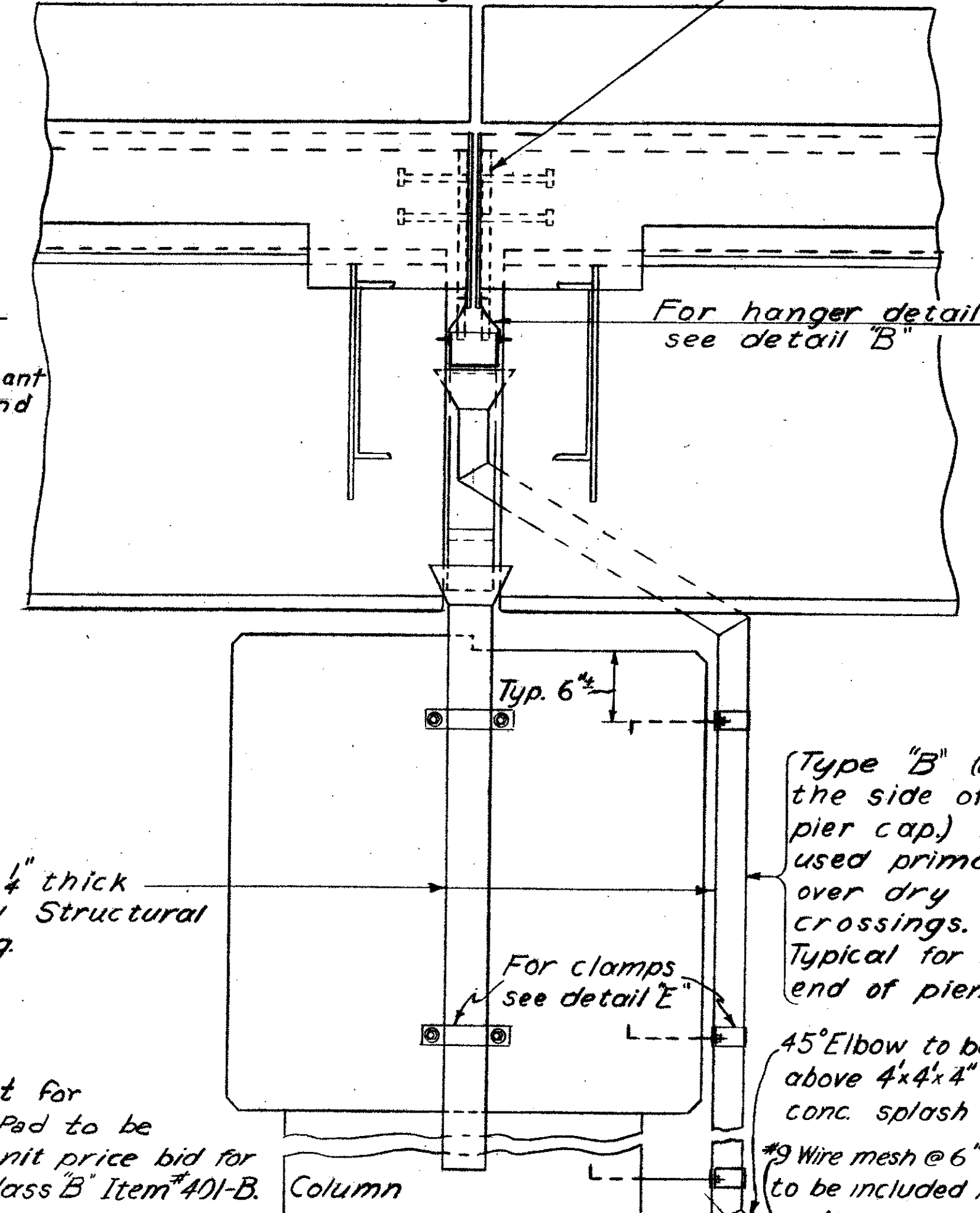
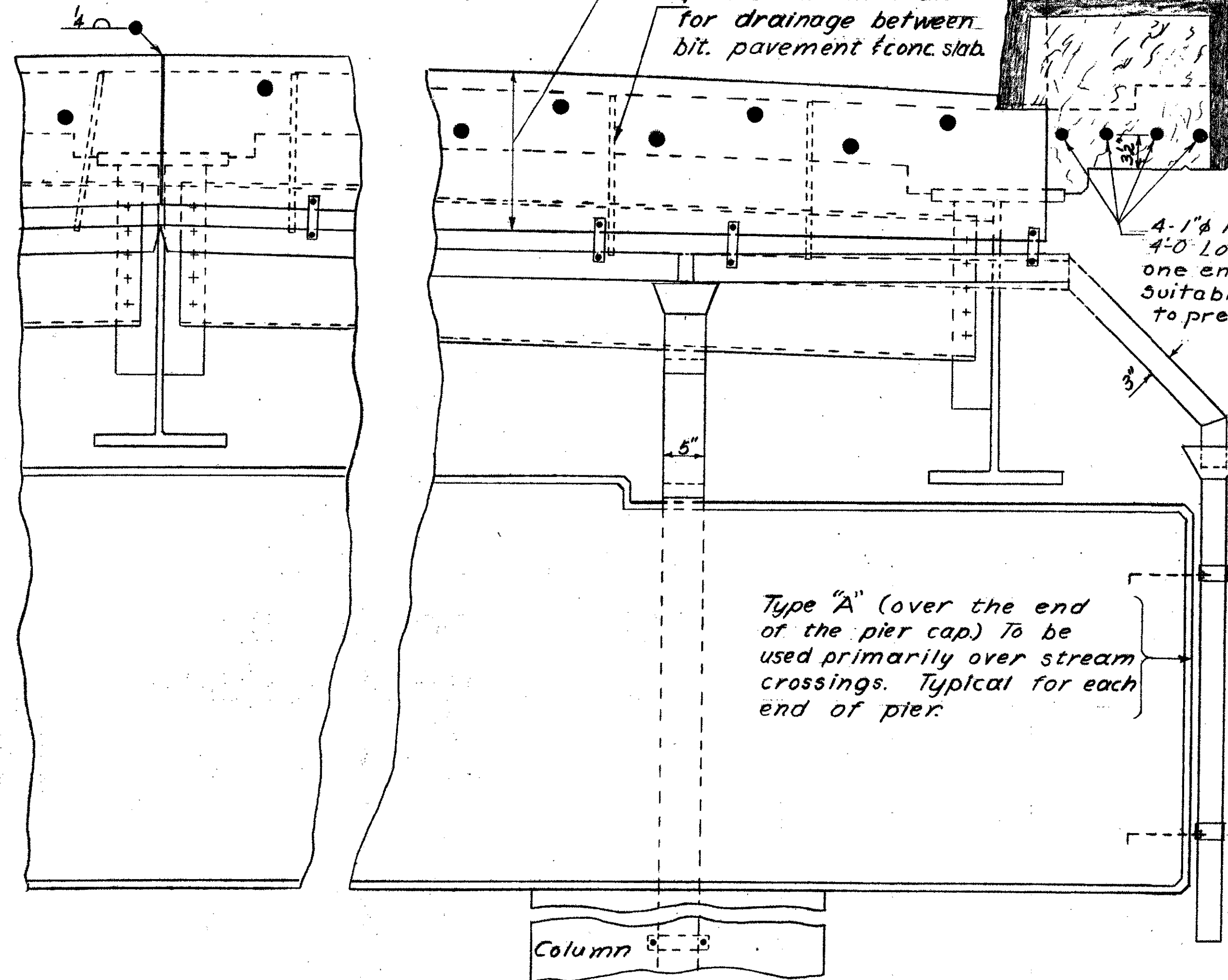
Steel for Expansion Plate shall conform to A.S.T.M. Desig A-242

1" dia. plastic tube placed @ 2' intervals for drainage between bit. pavement & conc. slab.

Item 372-C

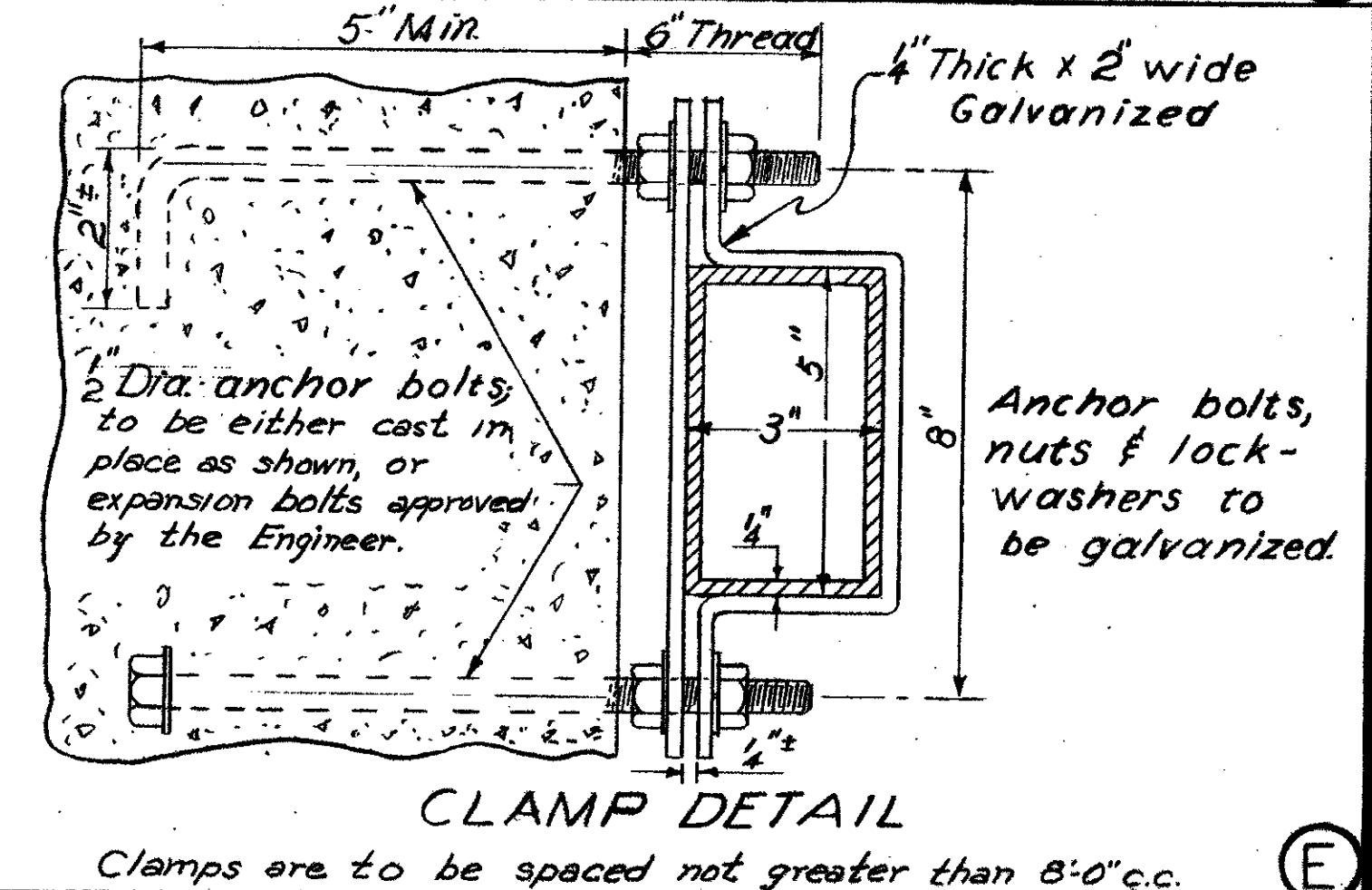
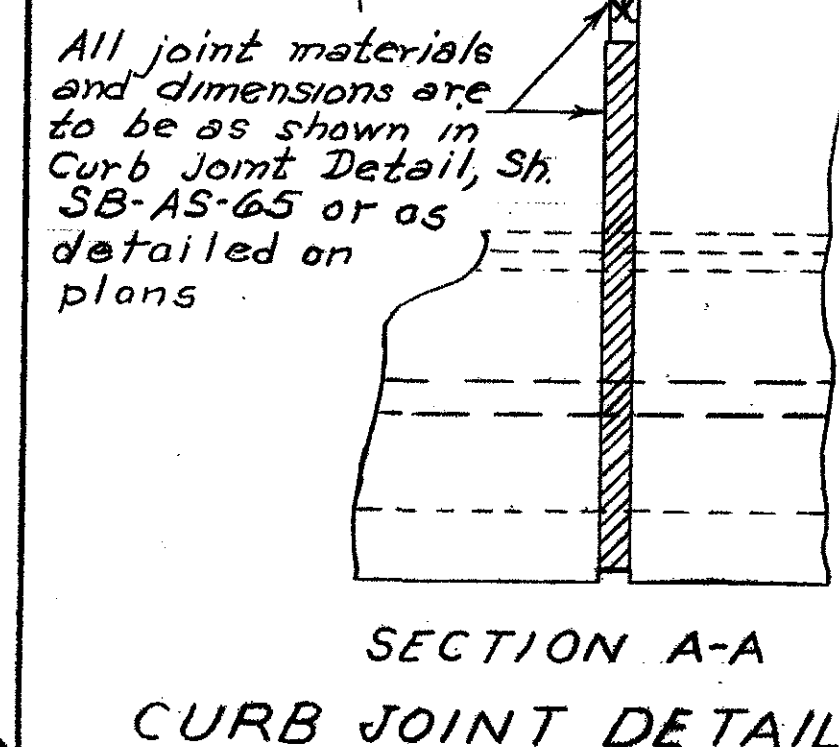
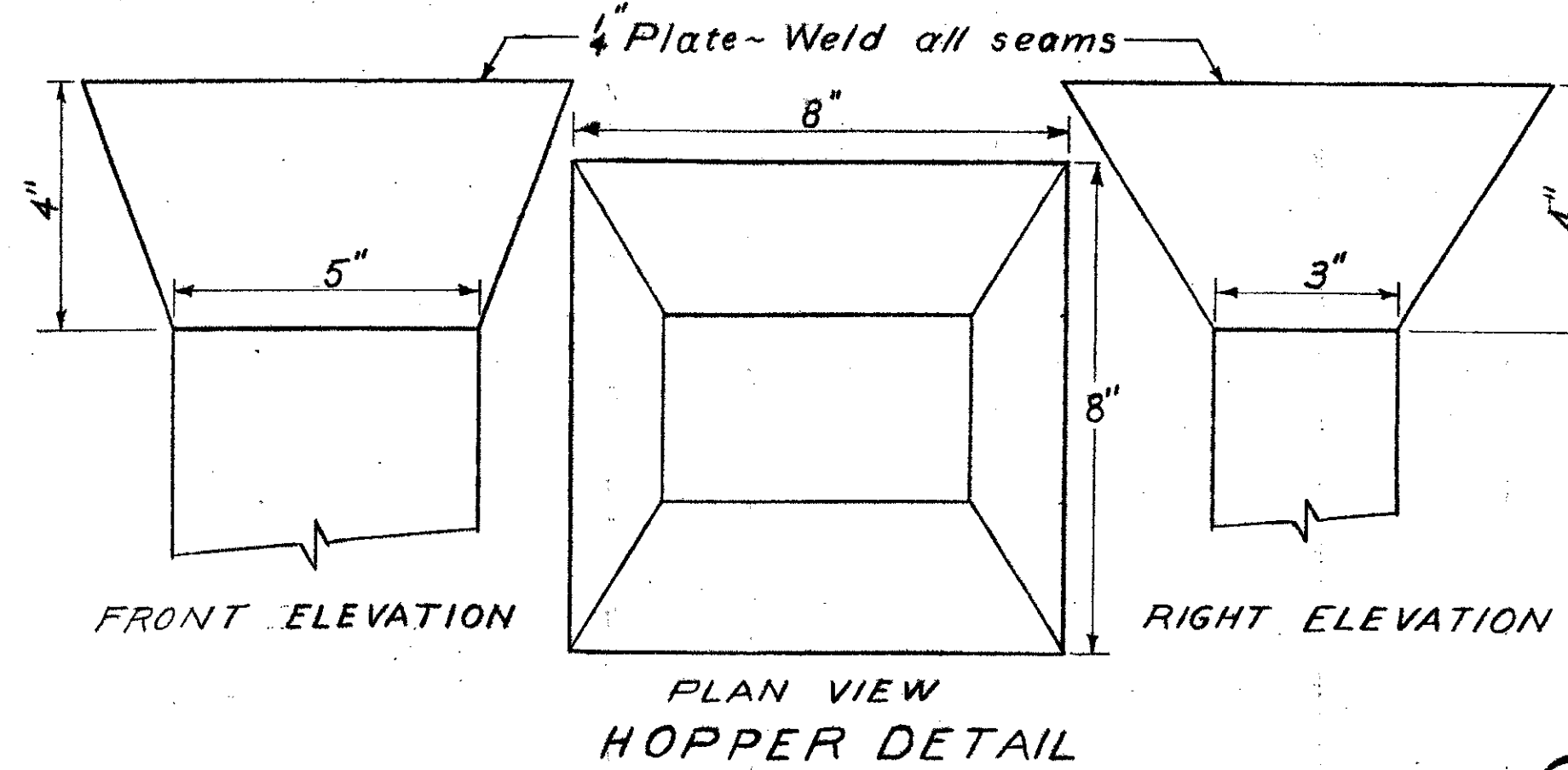
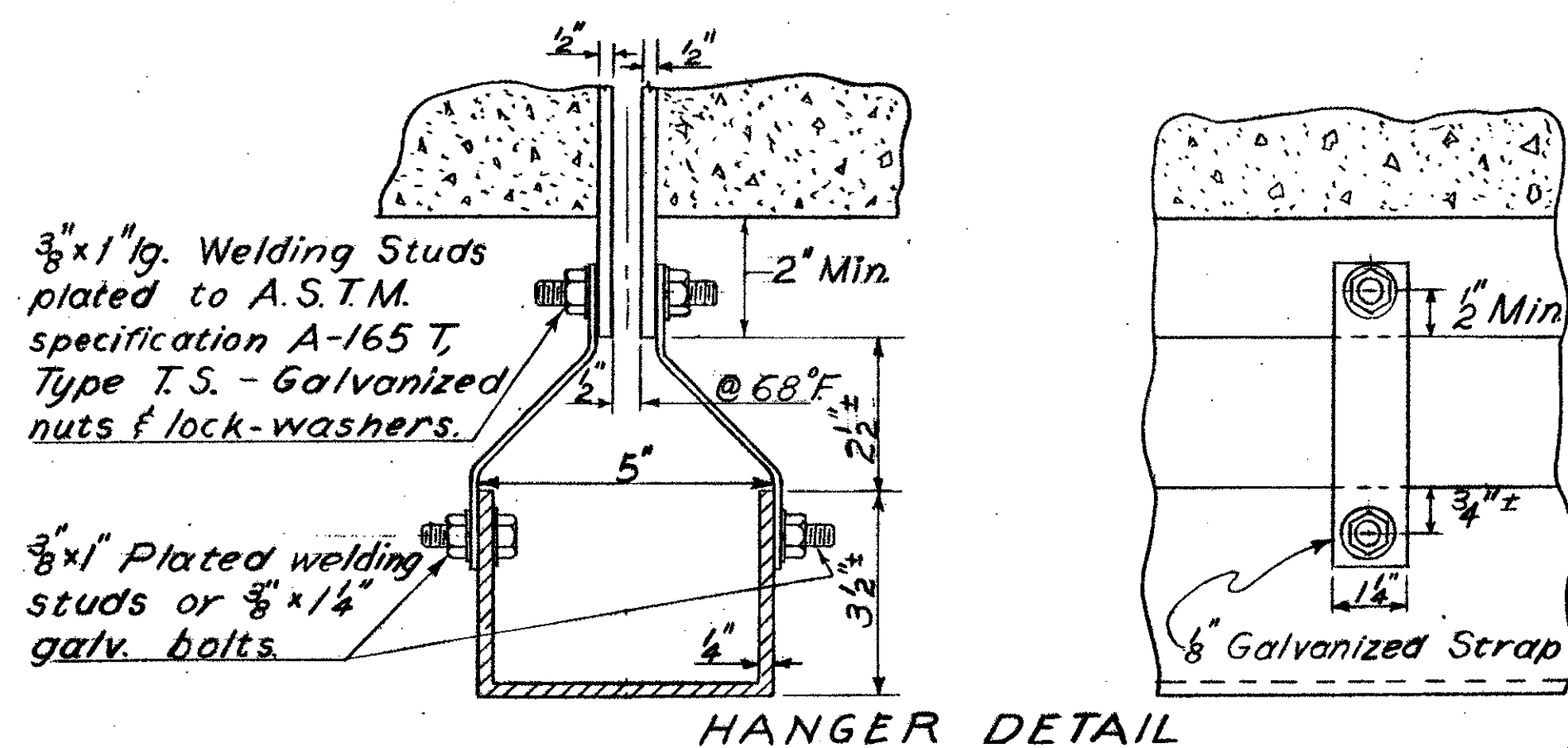
4-1" Rods (Typ) 4'-0" Long. Coat one end with suitable lubricant to prevent bond

Precaution shall be taken to insure that the plastic tubes do not get clogged during construction.



ELEVATION VIEW OF EXPANSION PLATE & DRAIN TROUGH

END VIEW



REVISIONS & CORRECTIONS

Drawn By: XX 12/1/62 Revised: WT-1/25/64

Traced By: XX 12/1/62 Revised: WT-1/25/65

Checked By: E.F.P. WMS, RSH 12/1/62 Rev. WMS Vaab

Recommended LMB 2/4/65

For Approval Bridge Engineer Date

Recommended R.C. Woods 2/4/65

For Approval Assist. Chief Engineer Date

Approved By A.D. Sulzberg 2/4/65

Chief Engineer Date

DETAIL OF WF BEAM BRIDGES
PIER EXPANSION PLATES
&
DRAIN TROUGH DETAILS

THIS SHEET IS FOR INFORMATION PURPOSES ONLY
HARTFORD-SHARON-ROYALTON 1M 1R 089-1(8)

VERMONT
DEPARTMENT OF HIGHWAYS
STRUCTURE STANDARDS

SCB-D3-65