

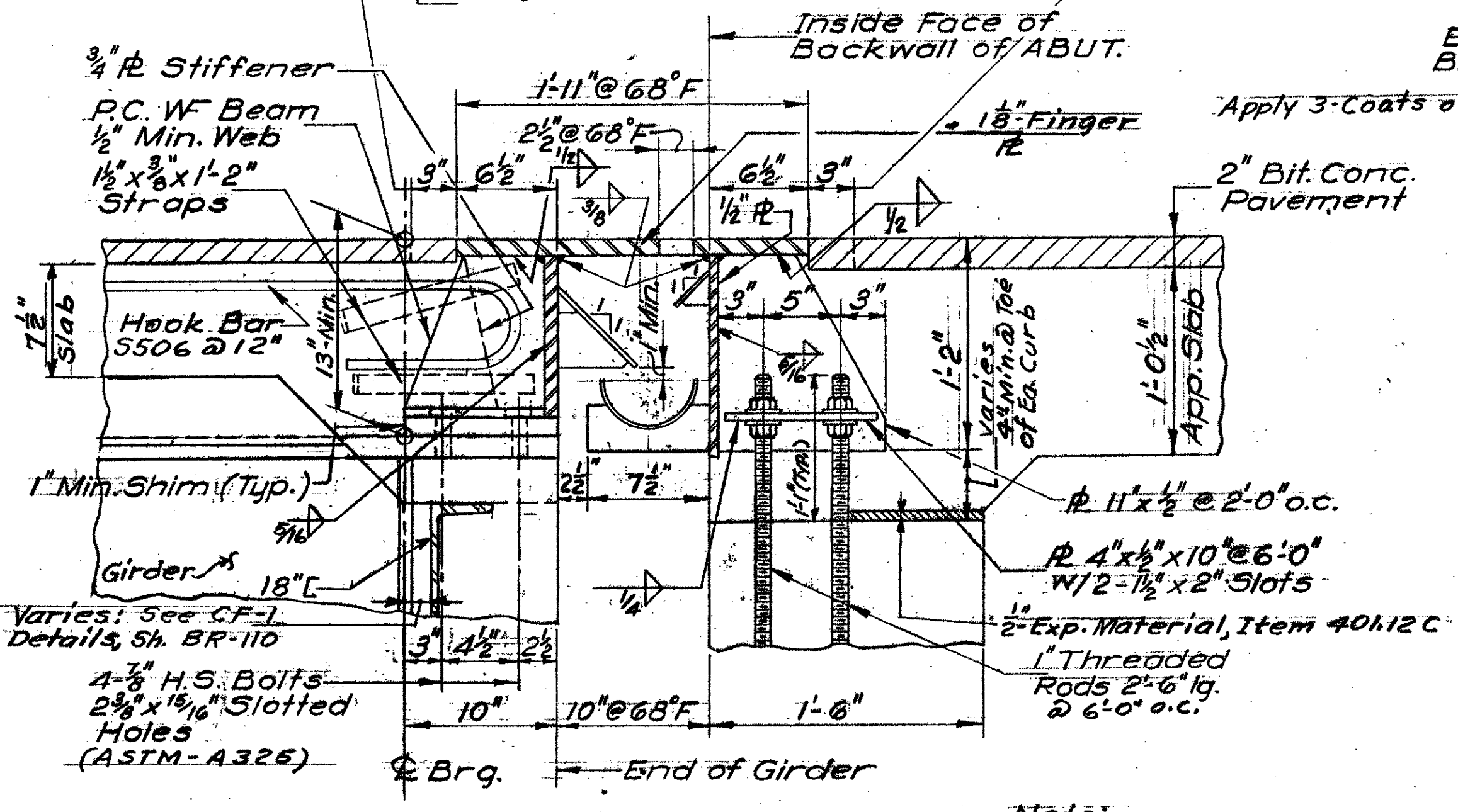
**PLAN - EXPAN. ASSEMBLY**  
Scale 1"=1'-0"

**FINGER PLATE DETAIL**  
Scale 3"=1'-0"

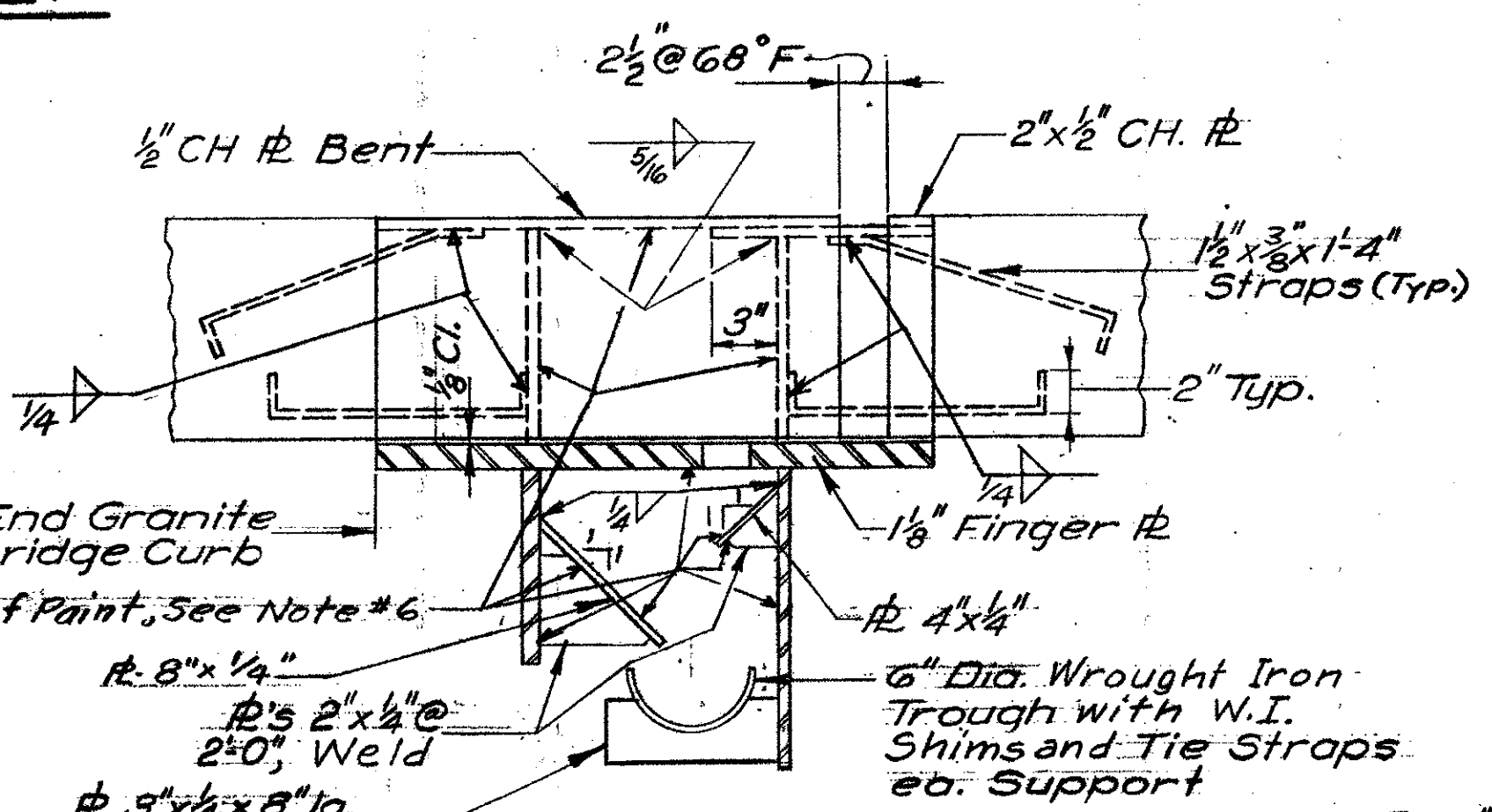
**NOTE:**  
The Ends of the Granite Bridge Curb shall be sawed square where they butt against the metal expansion plates.

**NOTE:**  
The Expansion Dam Assembly is to be furnished in two sections with separate brackets at the center girder.

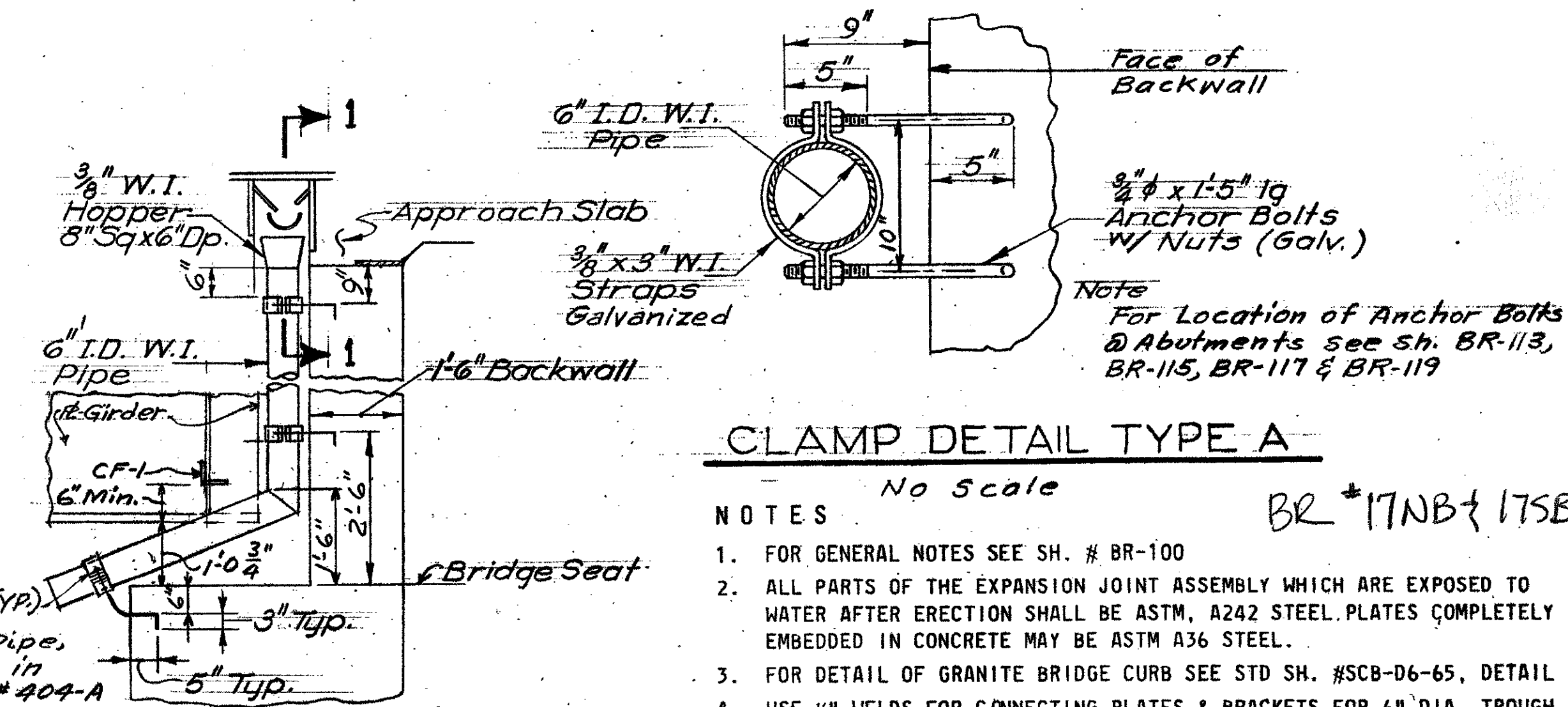
Pair Temporary 3" wide section of Conc. to top of R. Pack Conc. under plate. Chip out Conc. after set, as shown within 24 hrs. Pave to edge of R.



**SECTION A-A**  
Scale 1/2"=1'-0"



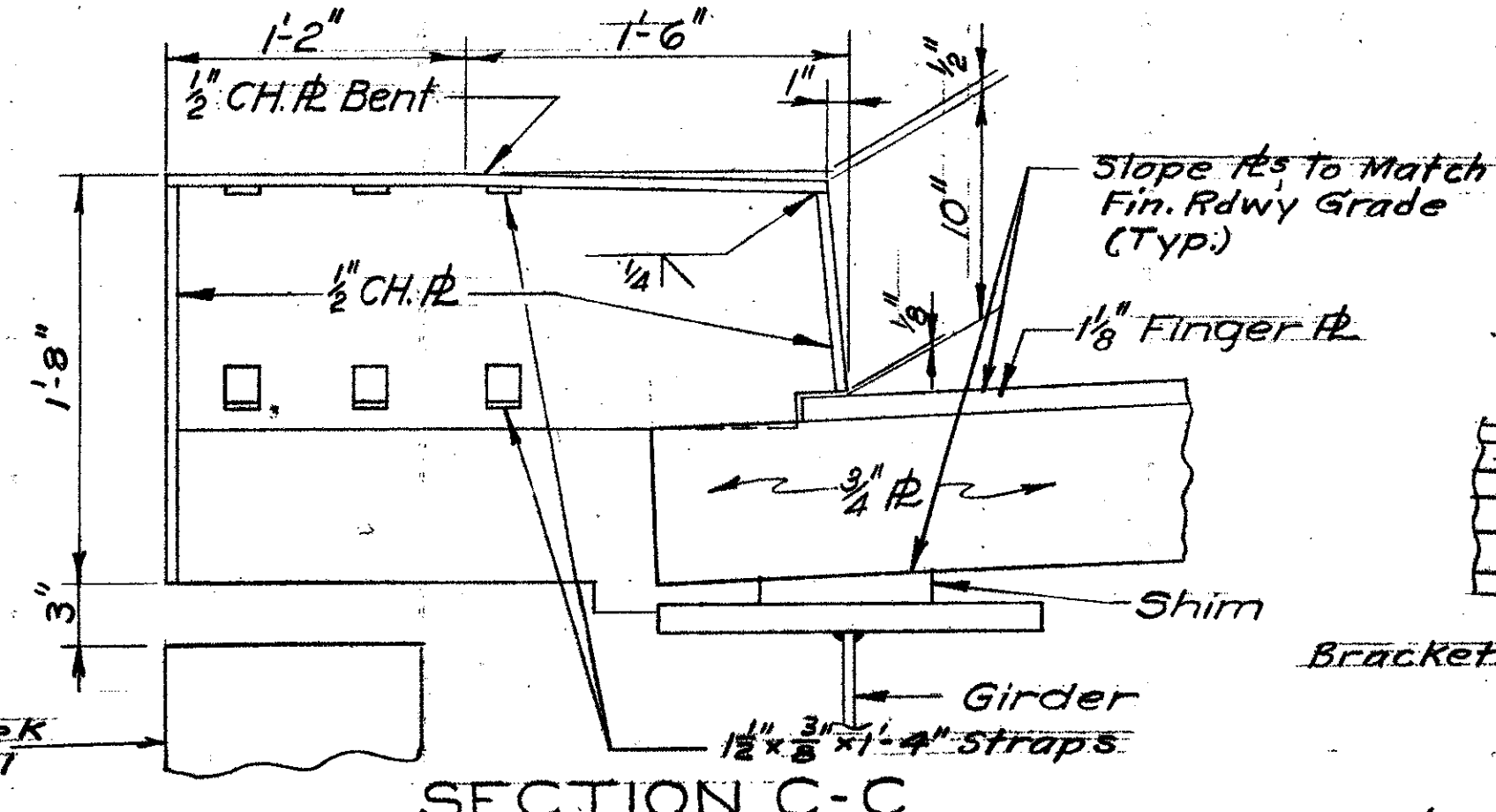
**SECTION B-B**  
Scale 1/2"=1'-0"



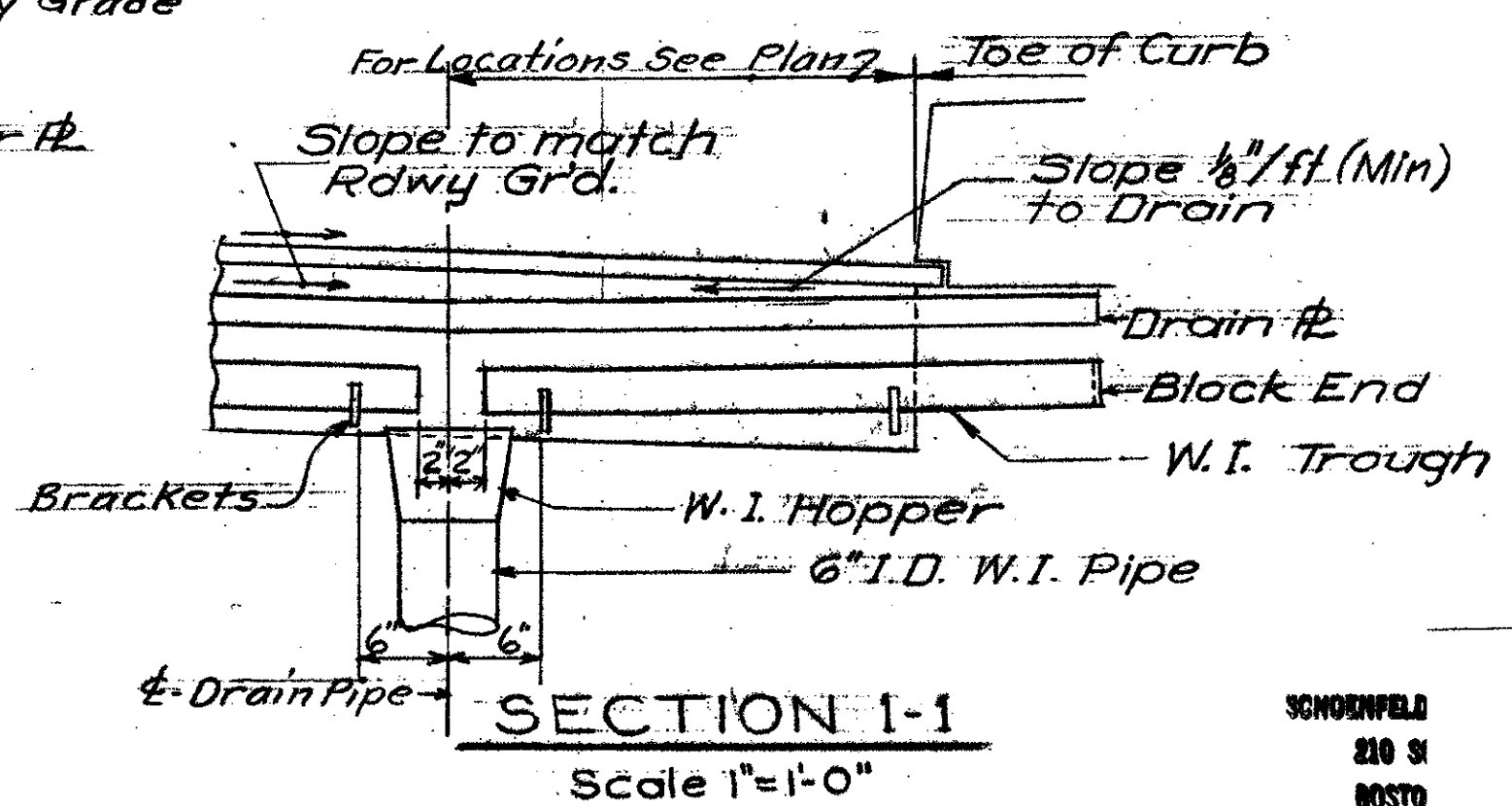
**ELEVATION DRAINAGE PIPE DETAIL**  
Scale 1/2"=1'-0"

**CLAMP DETAIL TYPE A**  
No Scale

- NOTES**
- FOR GENERAL NOTES SEE SH. # BR-100
  - ALL PARTS OF THE EXPANSION JOINT ASSEMBLY WHICH ARE EXPOSED TO WATER AFTER ERECTION SHALL BE ASTM, A242 STEEL. PLATES COMPLETELY EMBEDDED IN CONCRETE MAY BE ASTM A36 STEEL.
  - FOR DETAIL OF GRANITE BRIDGE CURB SEE STD SH. #SCB-06-65, DETAIL A
  - USE 1/4" WELOS FOR CONNECTING PLATES & BRACKETS FOR 6" DIA. TROUGH.
  - FINGERS TO BE SYMMETRICAL ABOUT Q OF FINGER PLATE, FLAME CUT FROM 21" X 1 1/8" PLATE.



**SECTION C-C**  
Scale 1/2"=1'-0"



**SECTION I-I**  
Scale 1"=1'-0"

**Note:**  
For add'l. Trough details see Section B-B

THIS SHEET IS FOR INFORMATION PURPOSES ONLY  
HARTFORD-SHARON-ROYALTON (M 1R 009-10)

STATE OF VERMONT

DEPARTMENT OF HIGHWAYS

PROJECT	SHARON
TOWN OF	SHARON
ROUTE No.	I-89
STA.	772+00
I-89 OVER VT. #14 & WHITE RIVER	
EXPANSION DAM ASSEMBLY & DETAILS - NB. & SB.	
SCALE	AS SHOWN
DESIGNED BY	ARNOLD KATZ

**NOTE (CONTINUED)**  
6. THREE COATS OF PAINT (IN ACCORDANCE WITH ITEM 404.03D) IS TO BE APPLIED TO THE INTERIOR SURFACES OF EXPANSION DAMS PRIOR TO ERECTION.