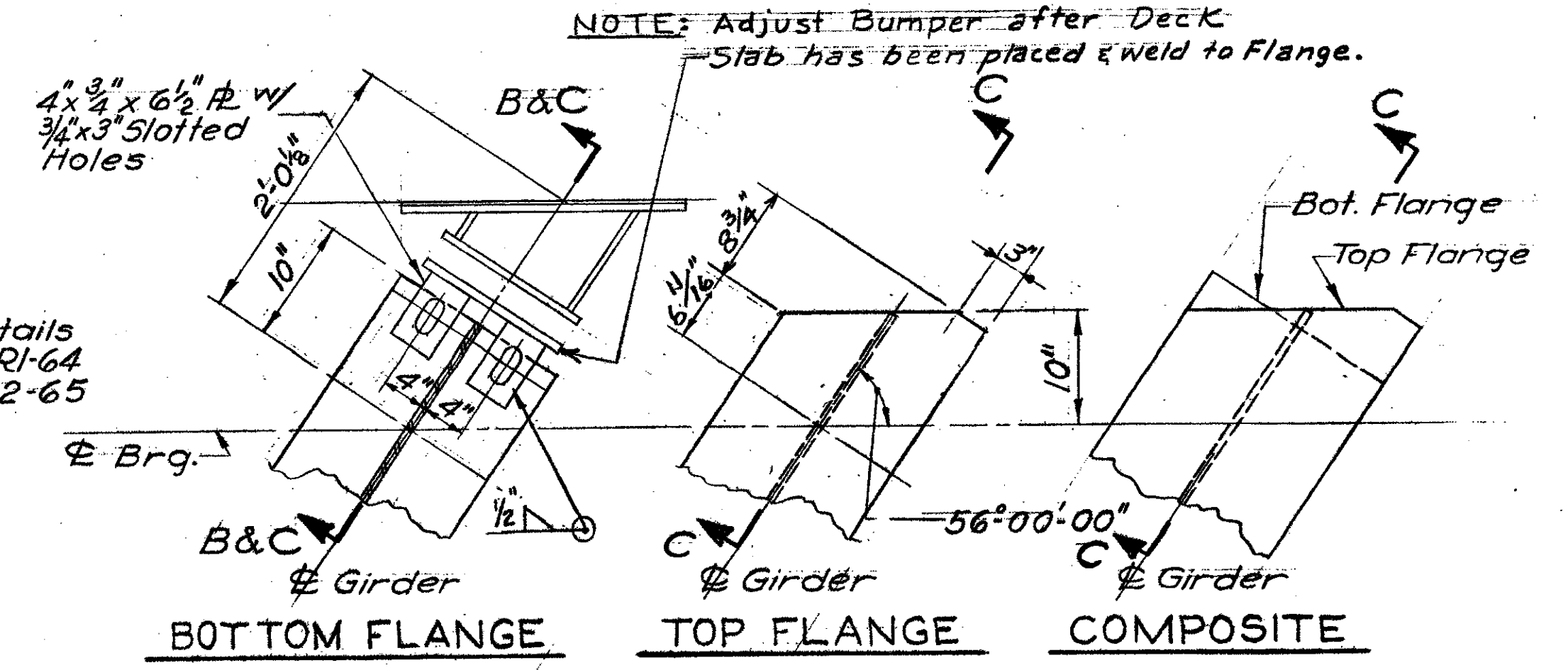
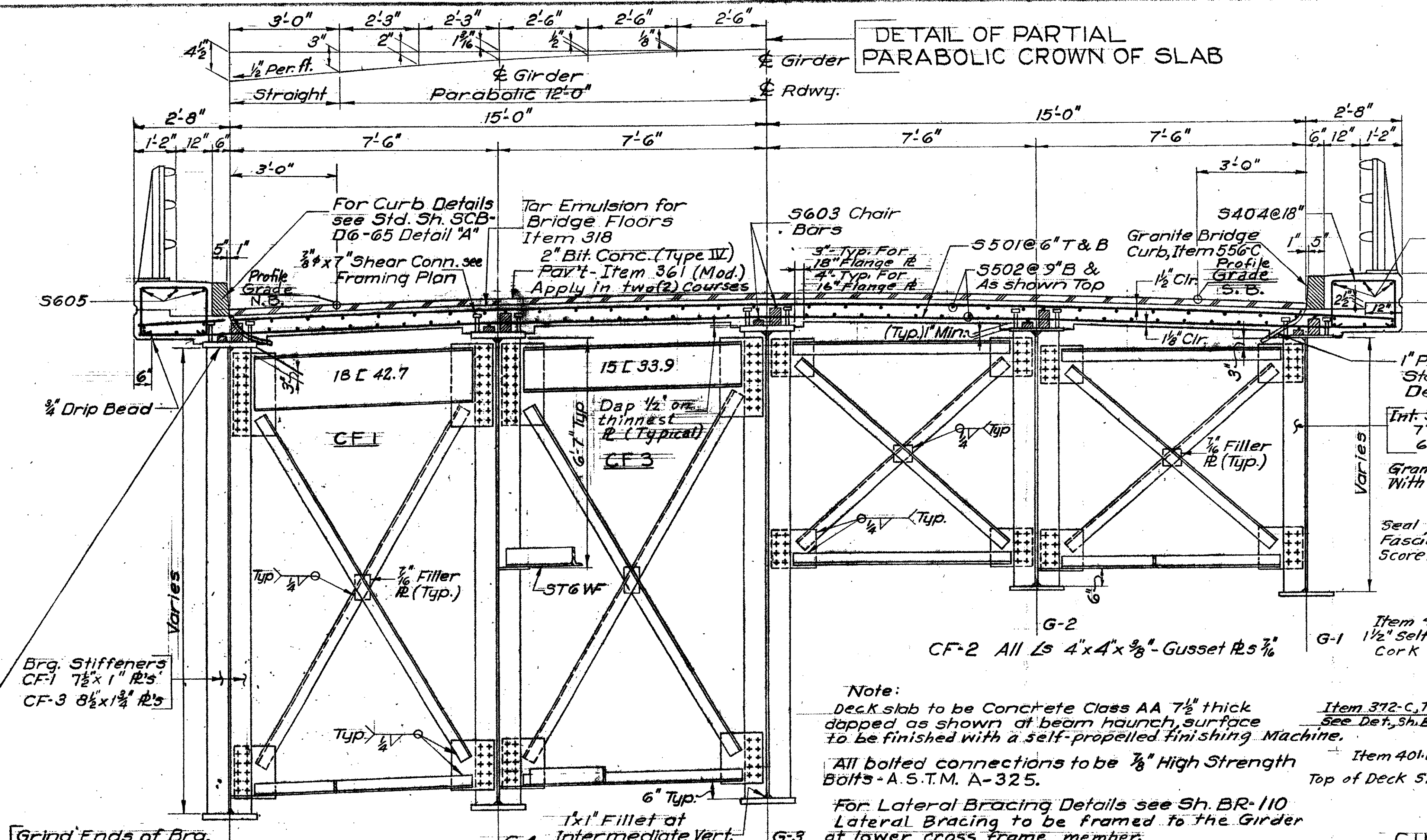


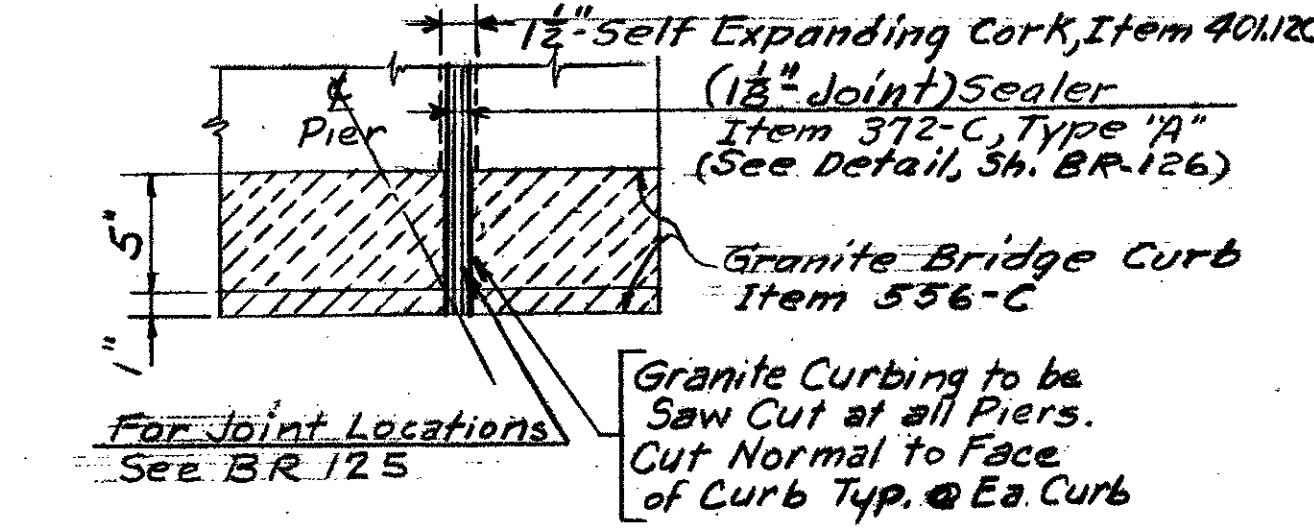
DETAIL OF PARTIAL PARABOLIC CROWN OF SLAB



GIRDER FLANGES AT ABUTMENTS

Scale 1"=1'-0"

Note: For Girder make up see Br. Sheets 107 & 108



TYP. DETAIL - CURBING AT PIERS

Scale: 1 1/2"=1'-0"

NOTES

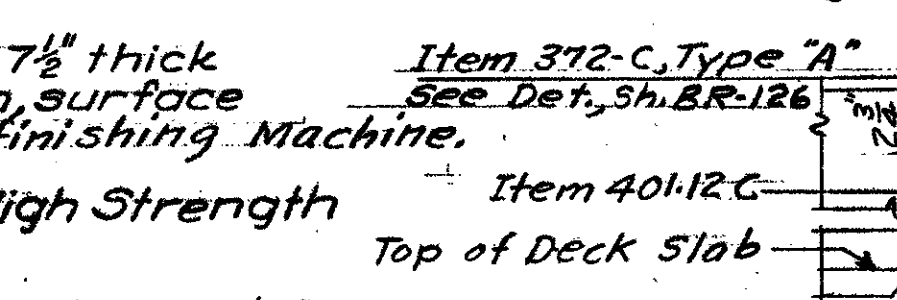
- FOR GENERAL NOTES SEE SH. # BR-100
- FOR FRAMING PLAN & GIRDER DETAILS SEE SH. # BR-107 & BR-108.
- FOR TYPICAL BRACING & MISC. GIRDER DETAILS SEE SH. # BR-110.
- FOR SLAB BEAM HAUNCH DETAIL SEE STD. SH. # SCB-D2-65, DETAIL C, & SCB-D6-65.
- FOR REINFORCEMENT LAYOUT AT ABUTMENTS SEE STD. SH. # SCB-D4-65.
- FOR EXPANSION DAM ASSEMBLY DETAILS AT ABUTMENTS SEE SH. # BR-111.
- FOR SLAB DETAIL AT PIERS SEE STD. SH. # SCB-D2-65, DETAIL A.
- BITUMINOUS CONCRETE PAVEMENT, ITEM 361 (MOD.), TYPE IV, IS TO BE APPLIED IN TWO (2) COURSES ON BRIDGE DECKS.
- USE THE STANDARD 3 INCH HAUNCH FOR THE 18 INCH TOP FLANGE AND INCREASE TO A 4 INCH HAUNCH FOR THE 16 INCH FLANGE.

Note: Deck slab to be Concrete Class AA 7 1/2" thick dapped as shown at beam haunch, surface to be finished with a self-propelled finishing machine.
All bolted connections to be 7/8" High Strength Bolts - A.S.T.M. A-325.
For Lateral Bracing Details see Sh. BR-110 Lateral Bracing to be framed to the Girder at lower cross frame member.

CF-1 All Ls 4"x4"x 5/8" Gusset R's 7/8"
CF-3 All Ls 5"x5"x 5/8" Gusset R's 3/4"

TYPICAL SECTION

Scale 1/2"=1'-0"



DETAIL "A"

Scale: 1 1/2"=1'-0"

SECTION C-C

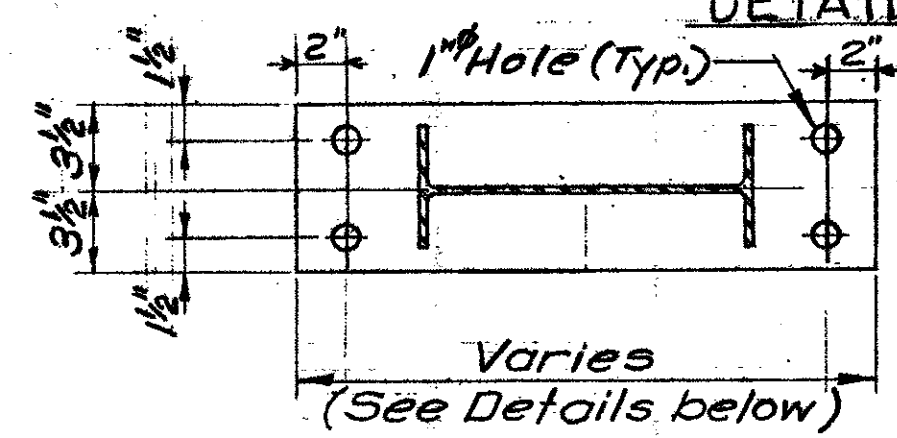
Scale 1"=1'-0"

Typical for all Girder Ends @ Abutments

SECTION D-D

Scale: 1 1/2"=1'-0"

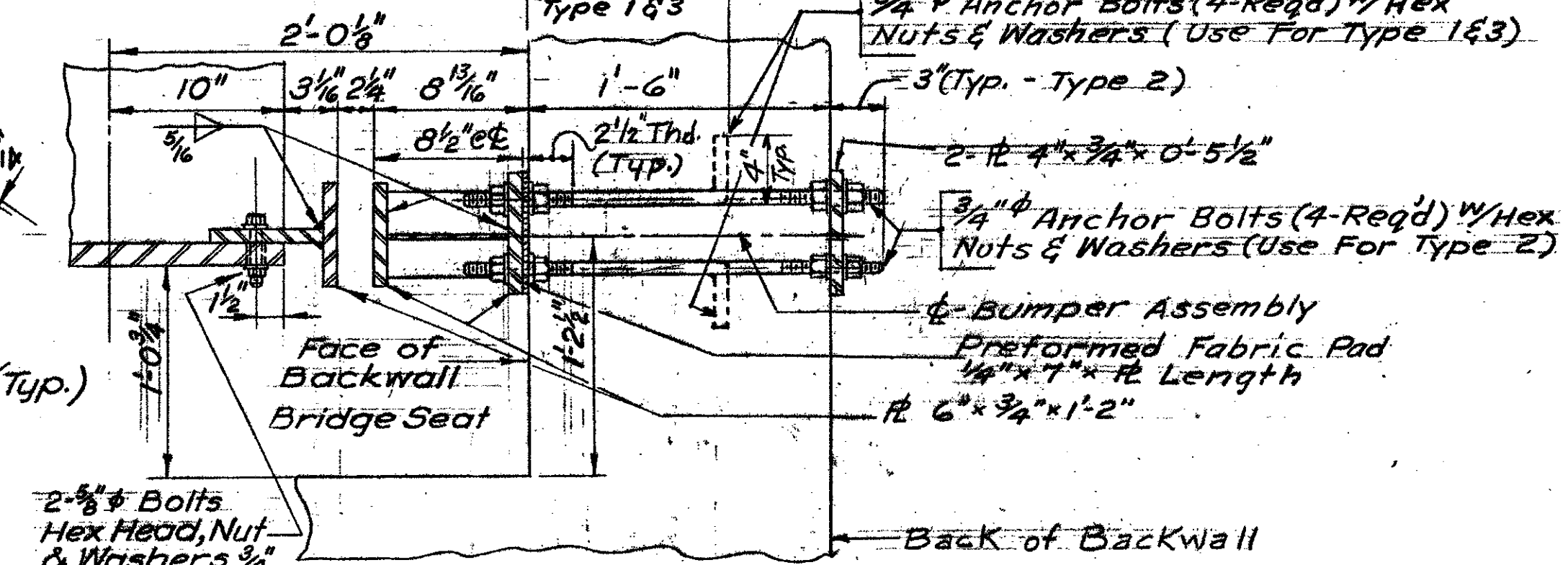
CURB & SAFETY WALK JOINT DETAILS AT PIERS



SECTION A-A

Scale 1 1/2"=1'-0"

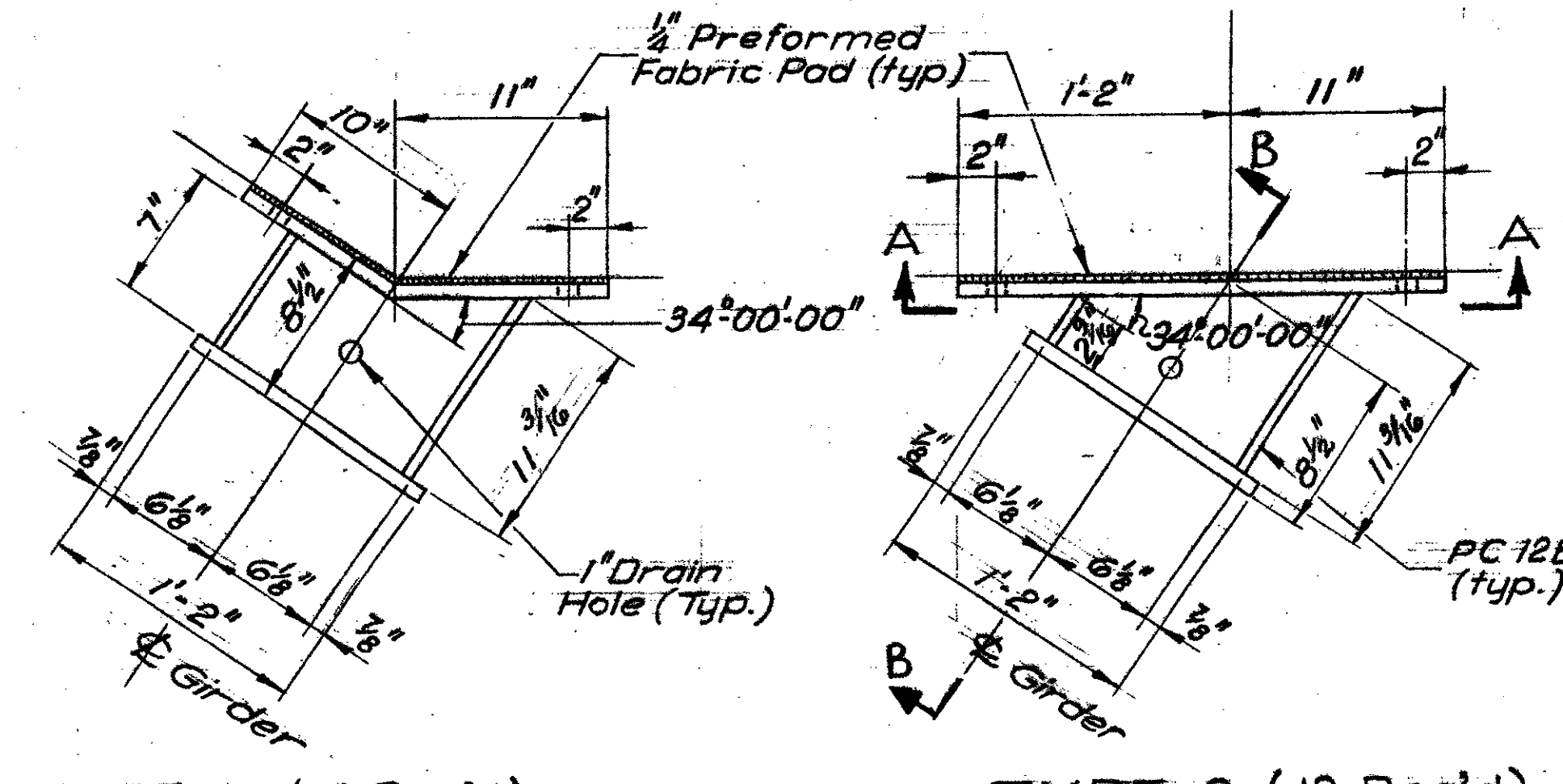
NOTE: Bumper Guards to be set in place at Backwall before pouring same.



SECTION B-B

Scale 1 1/2"=1'-0"

NOTE: Bumper Guard Assembly including All Bolts & Slide R's conn. to Girder to be Galvanized.



TYPE 1 (4 Req'd)

ABUT. 1	G-5
2	G-10
3	G-1
4	G-6

TYPE 2 (12 Req'd)

ABUT. 1	G-2, 3 & 4
2	G-7, 8 & 9
3	G-2, 3 & 4
4	G-7, 8 & 9

TYPE 3 (4 Req'd)

ABUT. 1	G-1
2	G-6
3	G-5
4	G-10

DETAIL OF GIRDER BUMPERS

Scale 1 1/2"=1'-0"

BR #17 NB & 17SB

STATE OF VERMONT
DEPARTMENT OF HIGHWAYS

PROJECT SHARON
TOWN OF SHARON

ROUTE No. 1-89 STA. 772+00
1-89 OVER VT. #14 & WHITE RIVER

TYP. SUPERSTRUCTURE SEC. & DETAILS - N.B. & S.B.

SCALE AS SHOWN
IN CHARGE ARNOLD KATZ
A. WOLTI

THIS SHEET IS FOR INFORMATION PURPOSES ONLY
HARTFORD-SHARON-ROYALTON IM 18 089-110