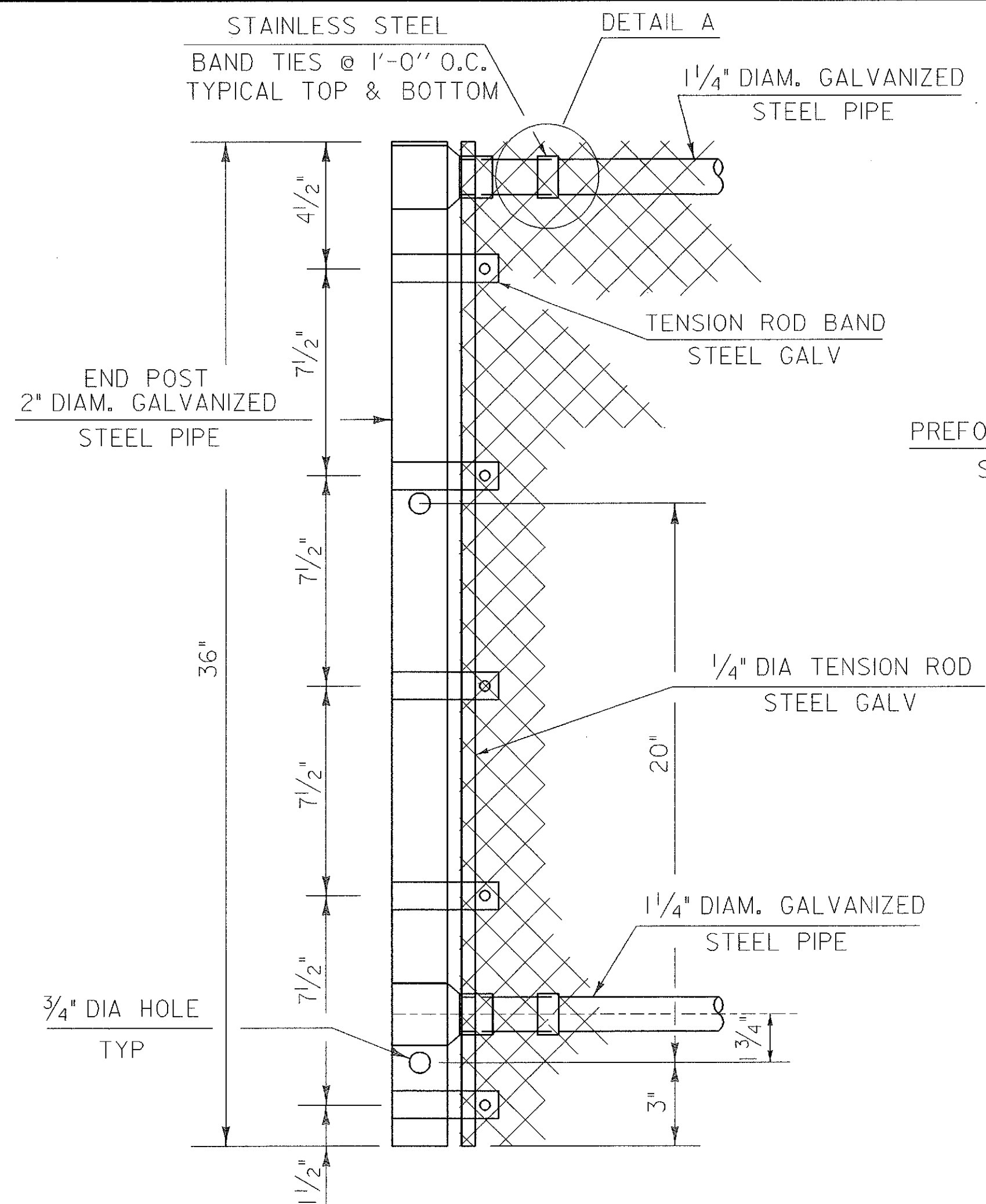
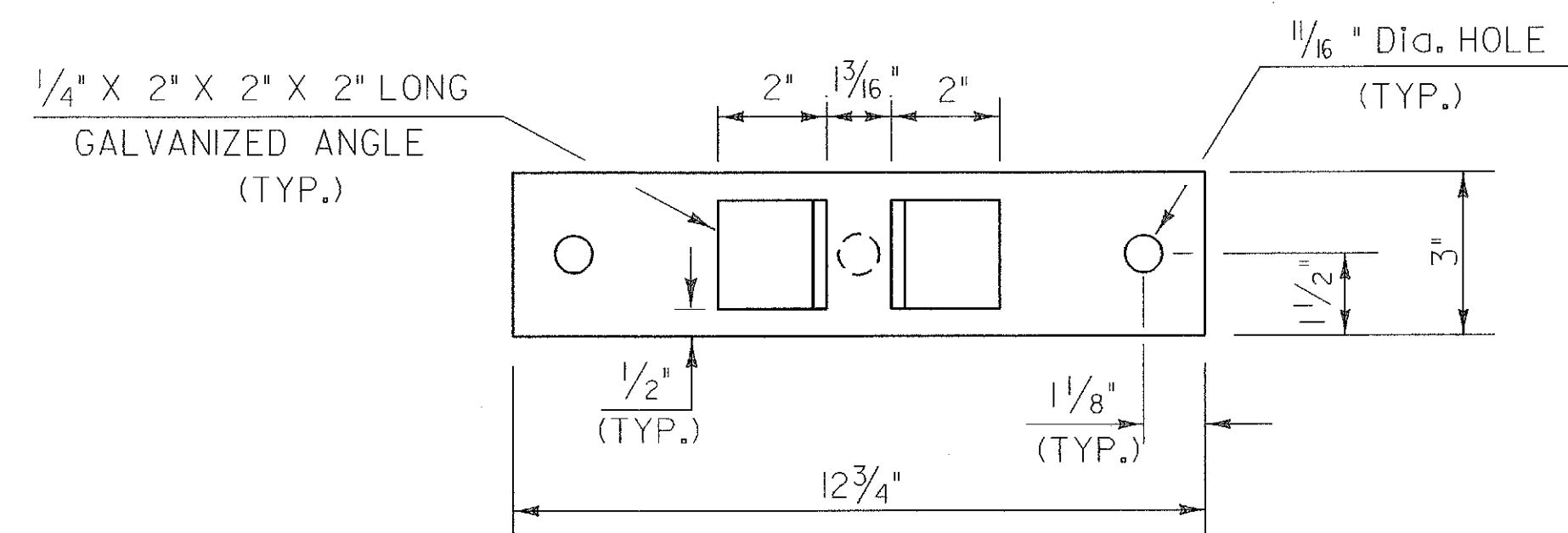


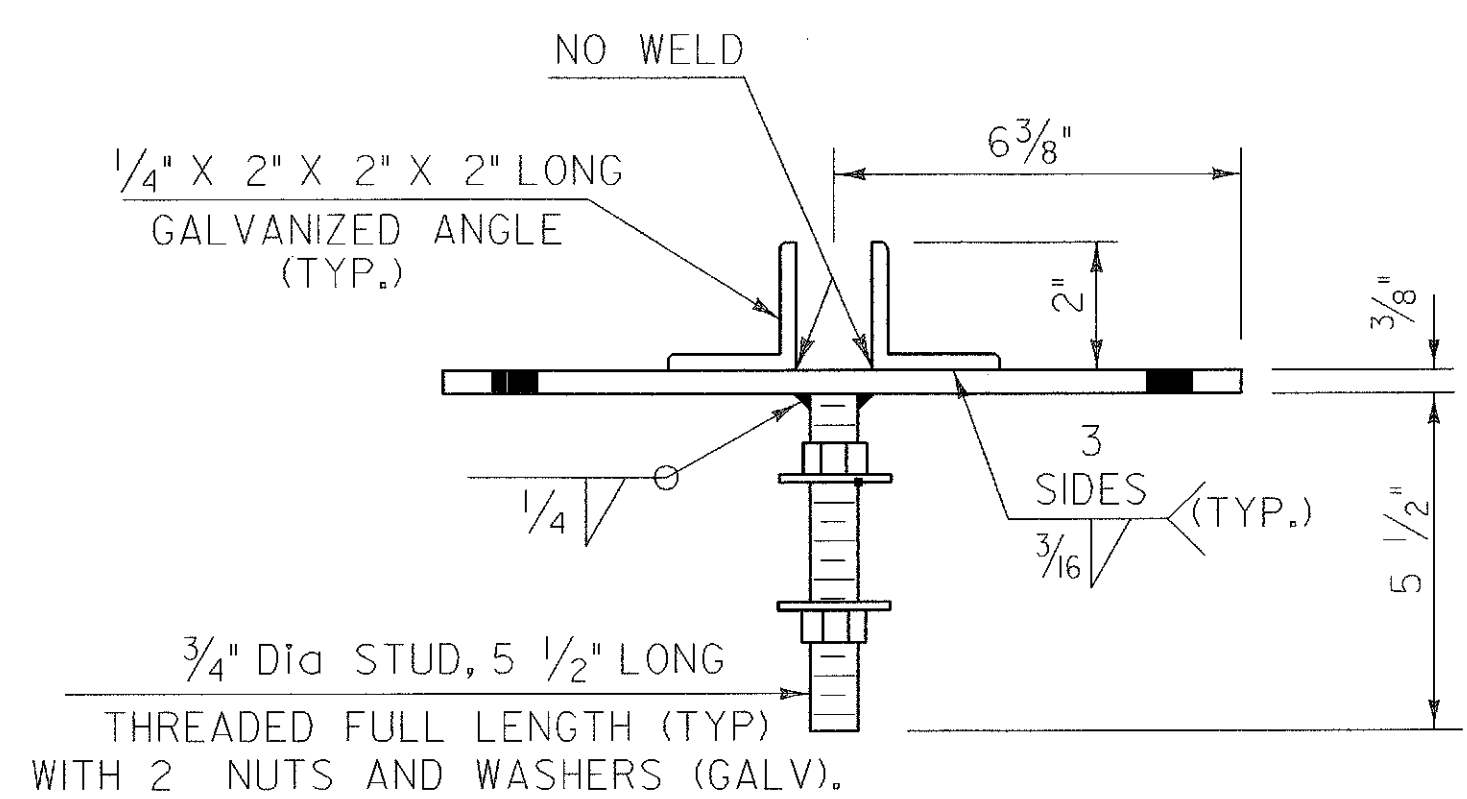
SNOW FENCE DETAILS FOR USE IN CONJUNCTION WITH ALUMINUM BRIDGE RAILING



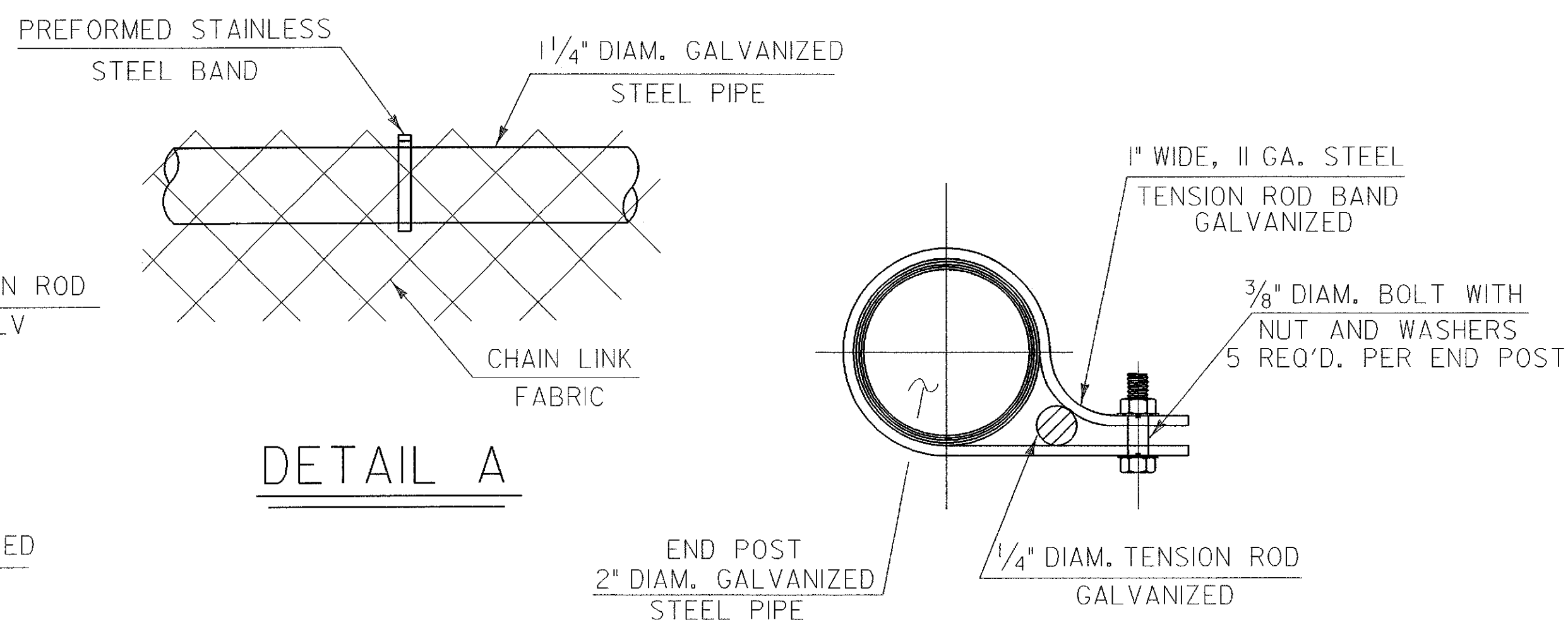
END POST DETAILS



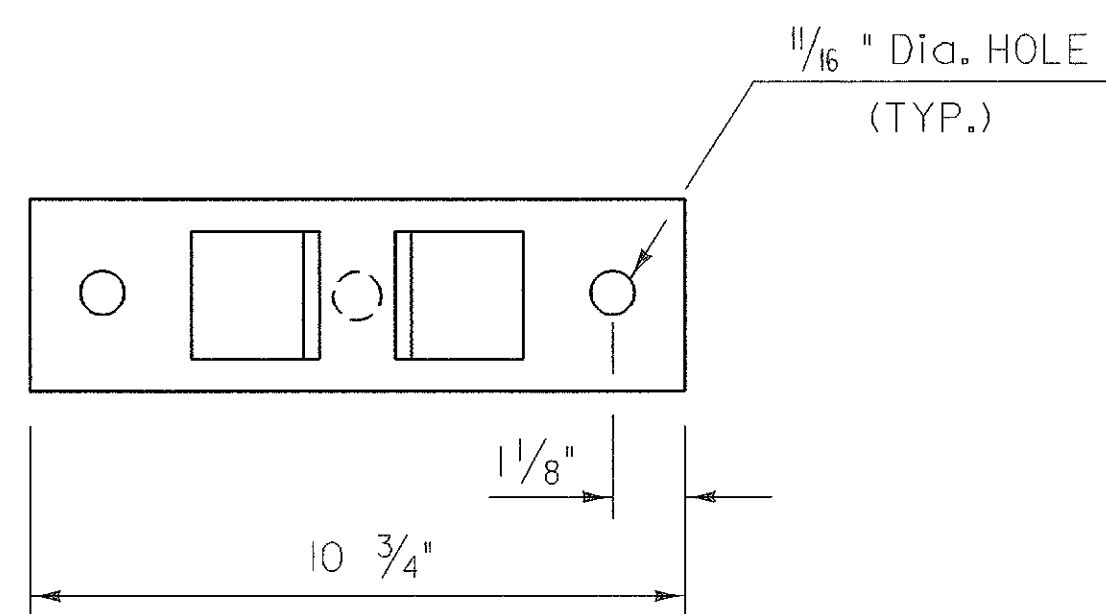
FRONT VIEW



P-1

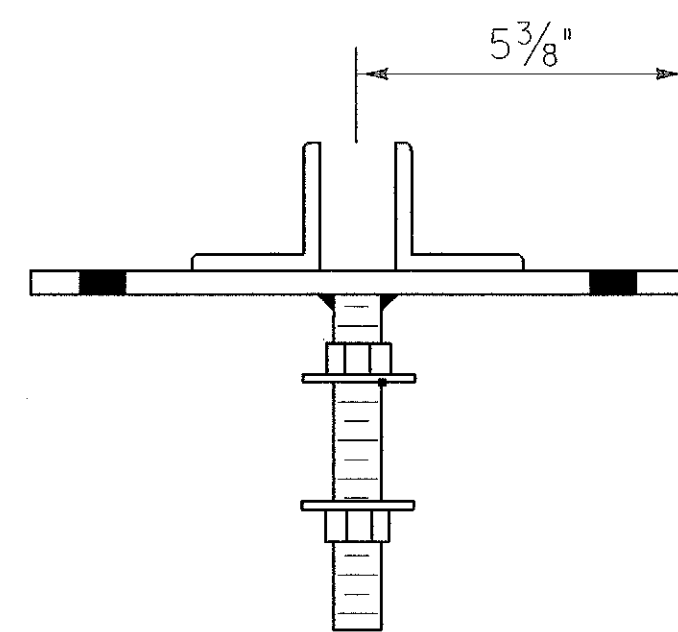


TENSION ROD BAND

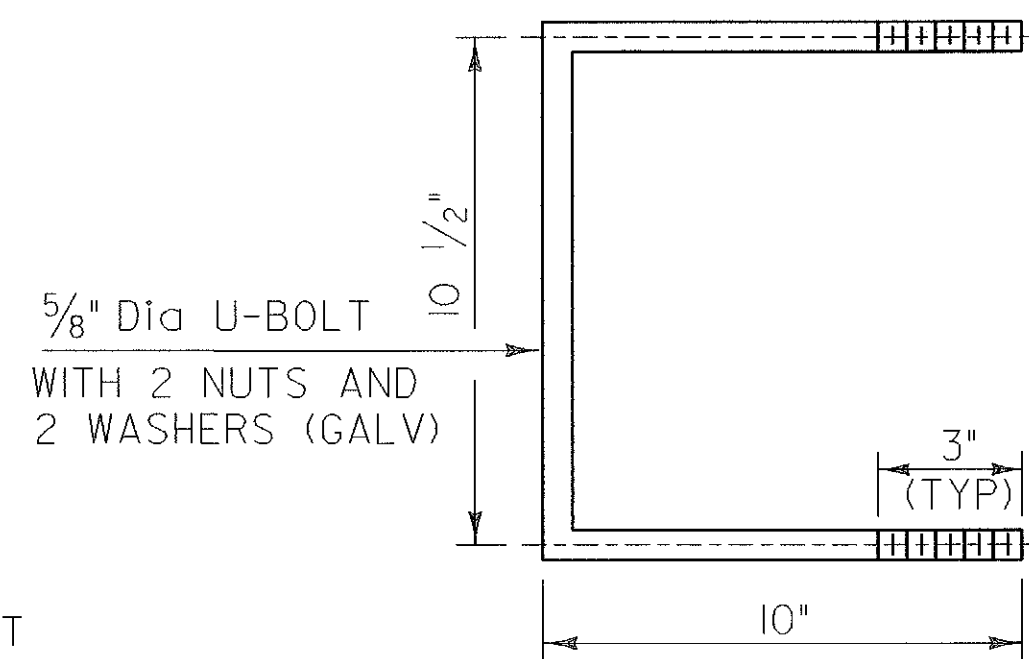


P-2

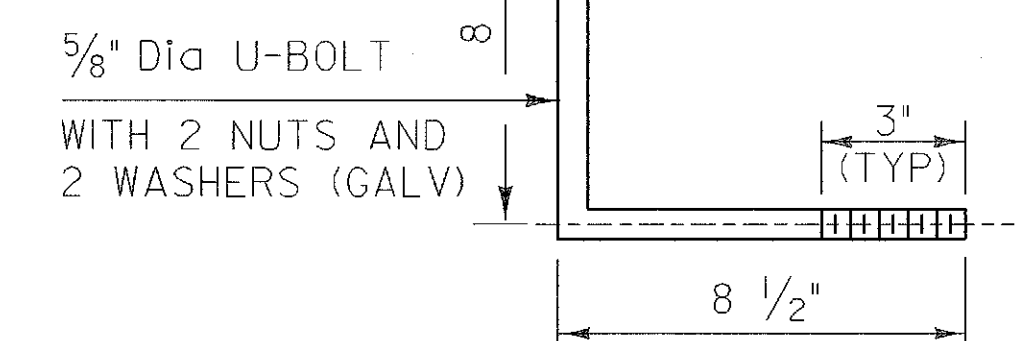
NOTE: SAME DIMENSIONS AND DETAILS AS P-1 EXCEPT AS SHOWN ABOVE



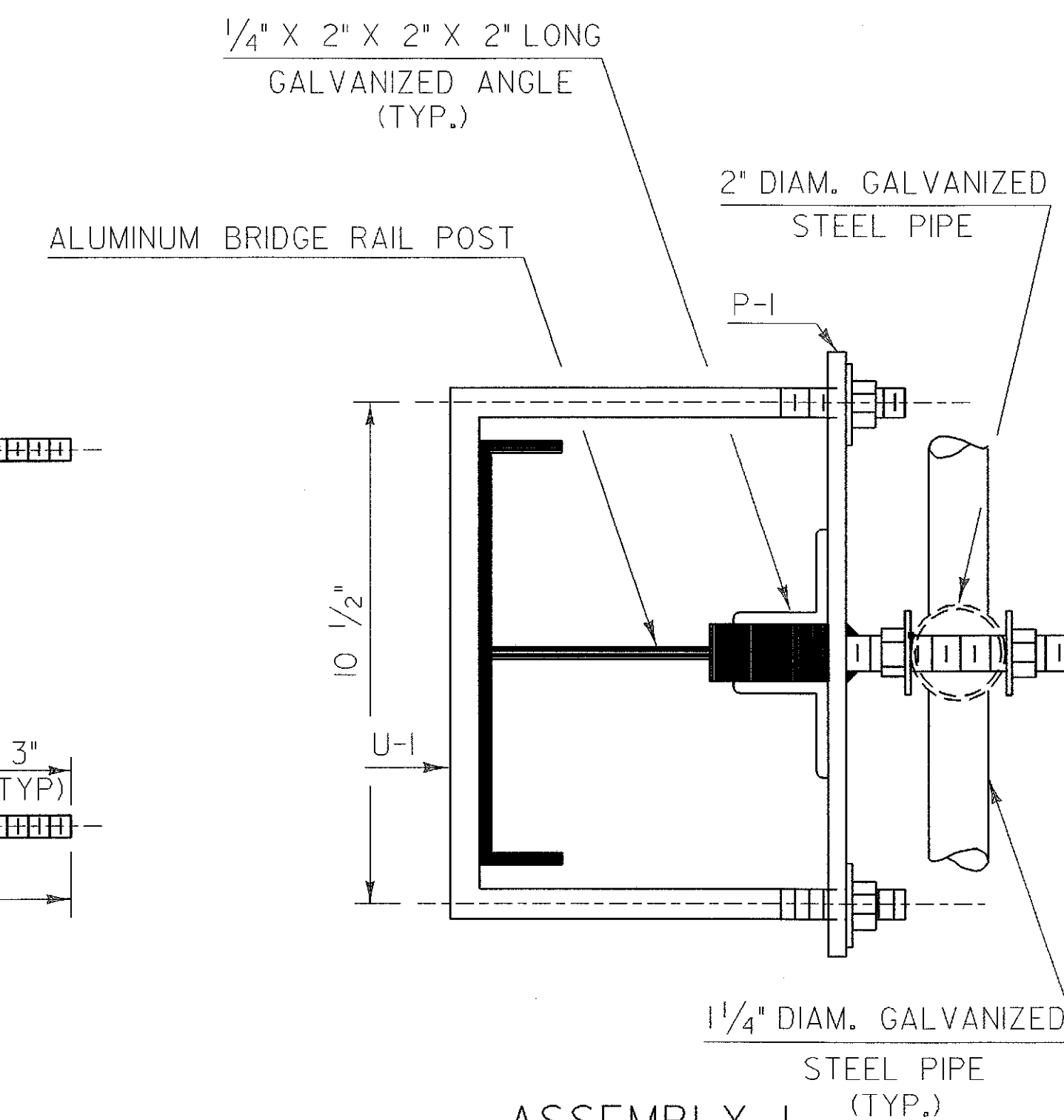
U-1



U-2

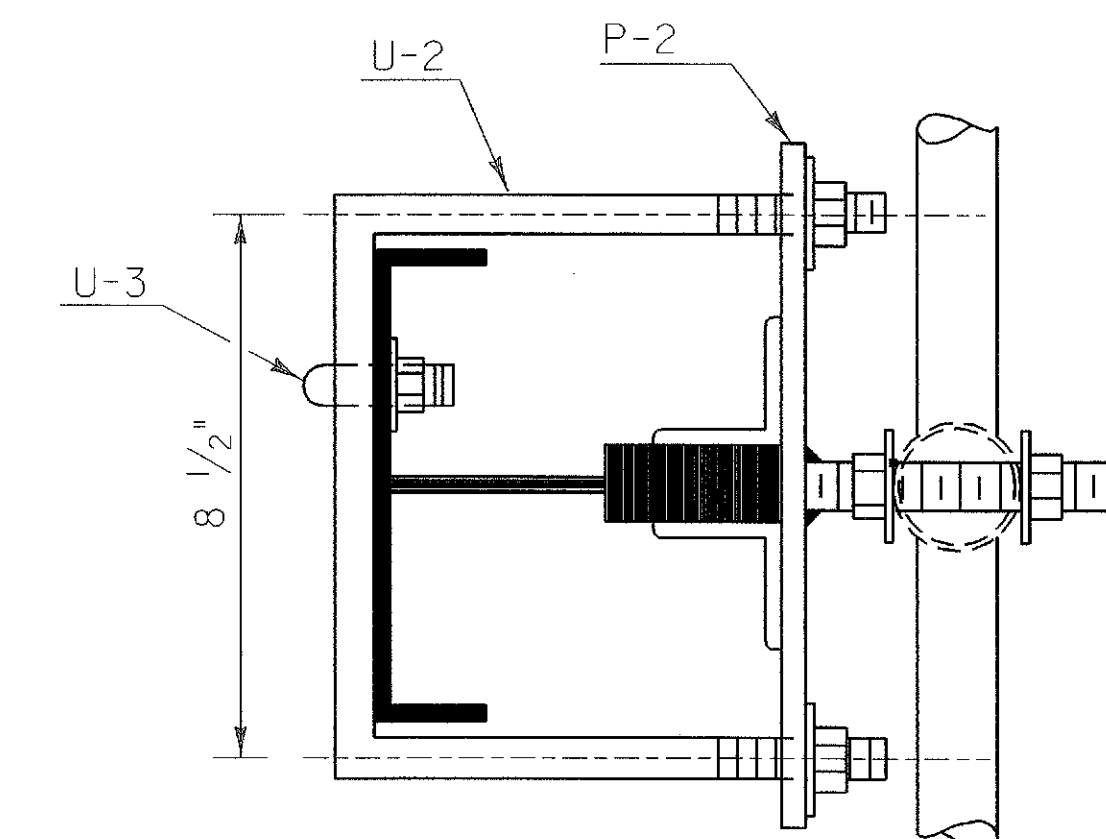


U-3



ASSEMBLY 1

(ASSEMBLY 1 CONSISTS OF U-1 AND P-1 AS SHOWN)



ASSEMBLY 2

(FOR ALUMINUM RAIL WITHOUT OFFSET BLOCKS, ASSEMBLY 2 CONSISTS OF U-2, U-3 AND P-2 AS SHOWN)

PLAN VIEW

DETAILS ON THIS SHEET ARE NOT TO SCALE
ALL DIMENSIONS IN INCHES UNLESS OTHERWISE NOTED

STATE OF VERMONT AGENCY OF TRANSPORTATION

Town Of **HARTFORD-SHARON-ROYALTON** Bridge No. 10 & 21
Highway No. 189 Log Sta. Surv. Sta.

**SNOW FENCE DETAILS FOR
3 - RAIL ALUMINUM BRIDGE RAIL**

Designed By **C. MEUNIER** Drawn By **D.W. NEWTON**
Checked By **C. MEUNIER** Date **7/98** Bridge Design Supervisor **G.S. ROGERS** Date **8-98**

PROJECT **HARTFORD-SHARON-ROYALTON** PROJECT NO. **IM IR 089-(18)**

L.G.C. **so008rd5.1** **so008rd5.1**
Bridge Sheet No. **BR 129** Sheet **86** of **260**