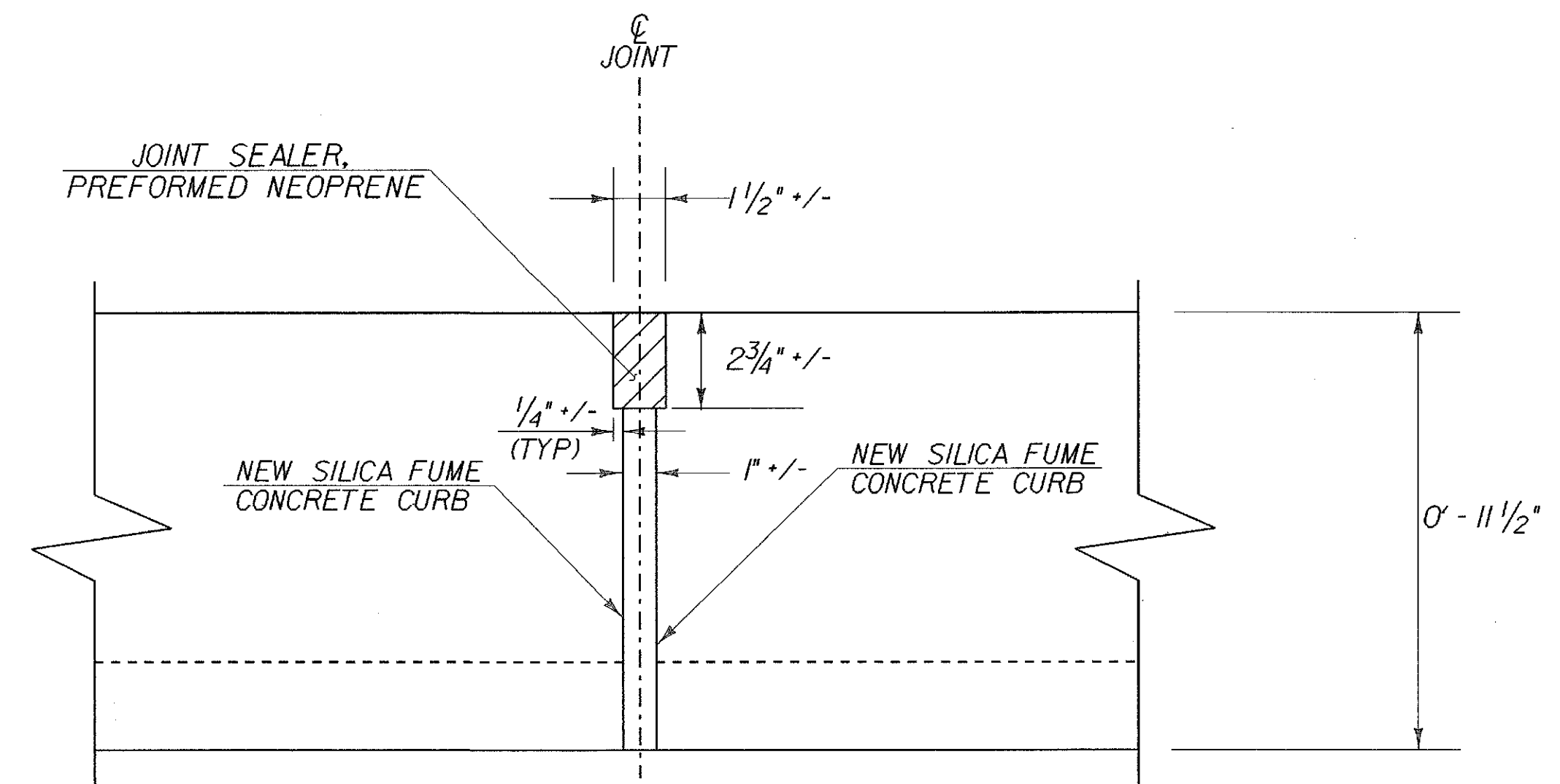


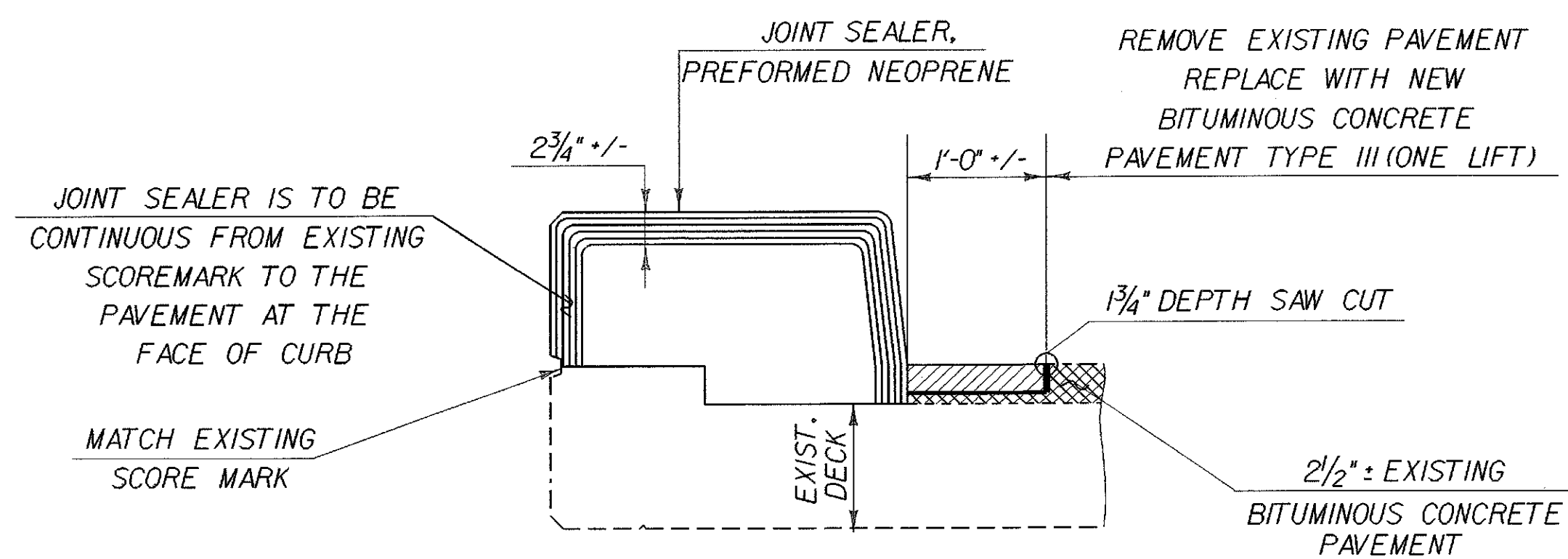
DETAIL FOR POST SPACING AT A VERTICAL PLATE EXPANSION JOINT

SCALE: 1"=1'-0"



SECTION A-A

SCALE: 1"=3'-0"



SECTION B-B

NTS

NOTES

1. ALL CONCRETE SHALL BE REMOVED UP TO THE VERTICAL PLATES ON EITHER SIDE OF THE EXPANSION JOINT.
2. THE NEW POSTS WILL BE SPACED SO THAT THE CENTERLINE OF THE POST IS 4'-0" FROM THE CENTERLINE OF THE JOINT ON EITHER SIDE OF THE EXPANSION JOINT.
3. THE EXISTING JOINT SEALER MATERIAL WILL BE REPLACED WITH PREFORMED NEOPRENE. THIS WILL BE PAID FOR WITH ITEM 524.15, "JOINT SEALER, PREFORMED NEOPRENE".
4. THE DETAILS SHOWN ON THIS SHEET ARE DETAILED FOR A JOINT OPENING OF 1 1/2" OPENING. THE SIZE OF THE JOINT SEALER, PREFORMED NEOPRENE SHALL BE (1 1/2" TO 1 3/4" X THE WIDTH) OF THE JOINT OPENING.
5. BRIDGES WITH VERTICAL PLATE JOINTS INCLUDE BR 8, 6NB, 6SB, 15NB, 15SB, AND 18NB & 18SB
6. SEE REFERENCE SHEETS BR 163 TO BR 167 FOR ADDITIONAL DETAILS.

STATE OF VERMONT
AGENCY OF TRANSPORTATION

Town Of HARTFORD-SHARON-ROYALTON	Bridge No. 86N.65J5N15S.18NB.8S
Highway No. I-89	Log Sta. Surv. Sta.

CURB DETAILS AT VERTICAL PLATE JOINTS

Designed By C. MEUNIER	Drawn By M. PELOQUIN
Checked By C. MEUNIER	Bridge Design Supervisor G. S. ROGERS
Date 11/98	Date 11/98

PROJECT HARTFORD-SHARON-ROYALTON	PROJECT NO. IM IR 089-1(8)
--	--------------------------------------

I.G.C. \\s008\add\11ingcab\inet\87a008\Structures\sa008d11.dgn	sa008vp1.j
Bridge Sheet No. BR 124	Sheet 81 of 260