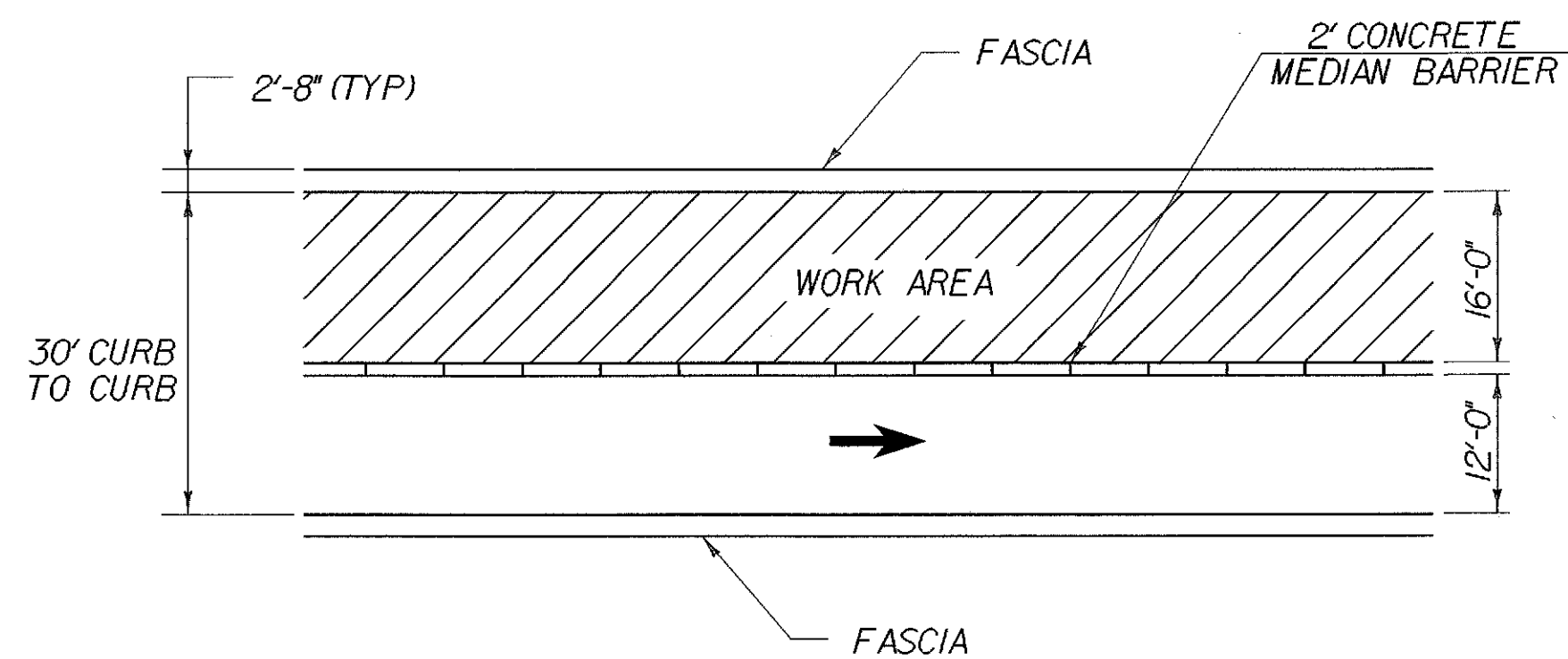


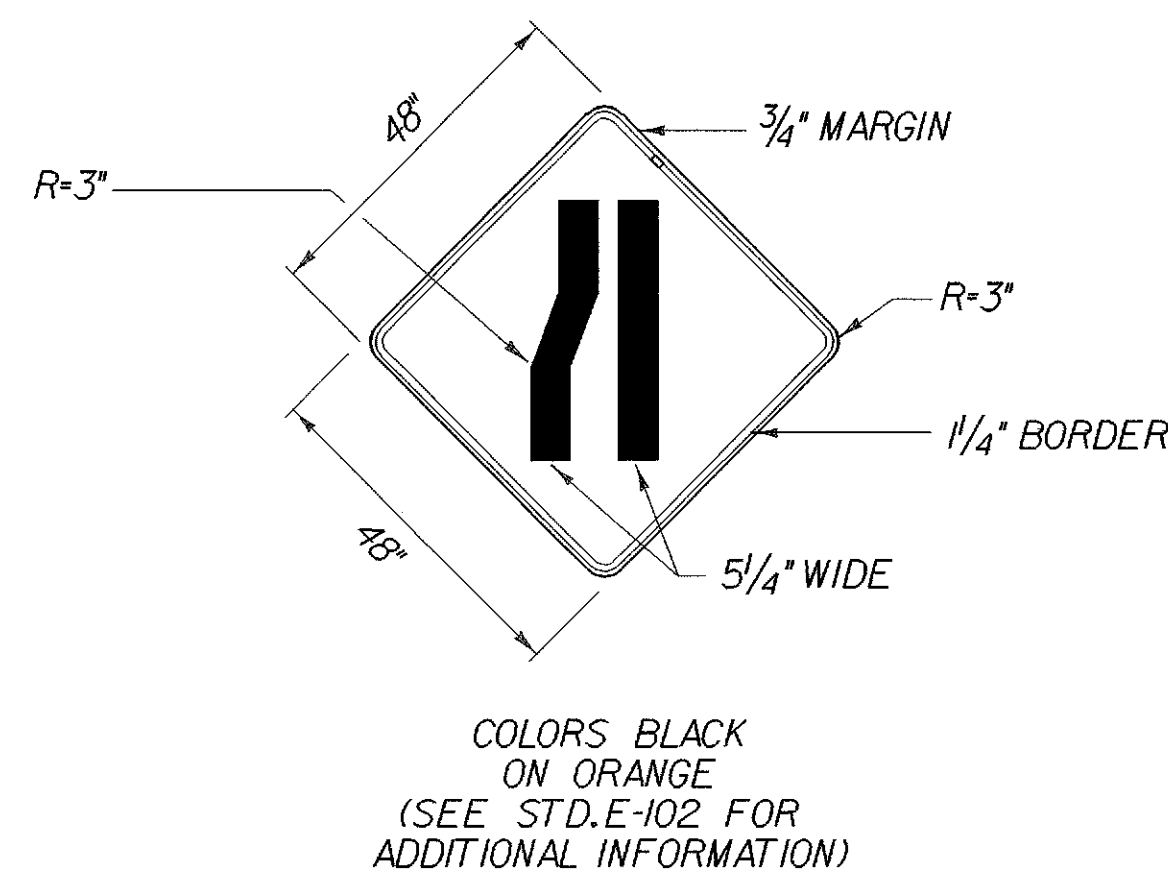
**BRIDGES 16 (MM 13.9), 17 (MM 14.4) & 18 (MM 15.1) PHASE 2 NORTHBOUND**

N.T.S.



**BR 17 (MM 14.4) & 18 (MM 15.1) LANE WIDTH AVAILABLE**

N.T.S.



**NOTES**

- BRIDGE 16, 17 & 18 SOUTHBOUND (PHASE 2) IS SIMILAR TO BRIDGE 16, 17 & 18 NORTHBOUND (PHASE 2)
- USE STD.E-103 IN CONJUNCTION WITH THESE DETAILS

LEGEND	
	TEMPORARY DIRECTION OF FLOW
	ORIGINAL DIRECTION OF FLOW
	REFLECTORIZED PLASTIC DRUMS (STD. E-106)
	TYPE III BARRICADES (MOD.) SEE STD. E-107A
	PAVEMENT MARKING REMOVAL
	TEMPORARY TRAFFIC BARRIER
	EXISTING PAVEMENT MARKINGS
	EXISTING ROADWAY CENTERLINE
	TEMPORARY PAVEMENT MARKINGS
	ENERGY ABSORPTION ATTENUATOR
	FLASHING ARROW PANEL

**STATE OF VERMONT AGENCY OF TRANSPORTATION**

Town Of <b>HARTFORD-SHARON-ROYALTON</b>	Bridge No. <b>17 &amp; 18</b>
Highway No. <b>189</b>	Log Sta. Surv. Sta.
<b>TRAFFIC CONTROL FOR BRIDGES 16, 17 &amp; 18 NORTHBOUND &amp; SOUTHBOUND (PHASE 2)</b>	
Designed By <b>C. MEUNIER</b>	Drawn By <b>M. PELOUJIN</b>
Checked By <b>C. MEUNIER</b>	Bridge Design Supervisor <b>G.S. ROGERS</b>
Date <b>11/98</b>	Date <b>11/98</b>
PROJECT <b>HARTFORD-SHARON-ROYALTON</b>	PROJECT NO. <b>1M 1R 089-1(B)</b>
I.G.C:\web62\cad\d\111ngob\hnet\97\008\Structures\sa0081r.dgn00819j	
Bridge Sheet No. <b>BR 110</b>	Sheet <b>67</b> of <b>260</b>

20-NOV-2000