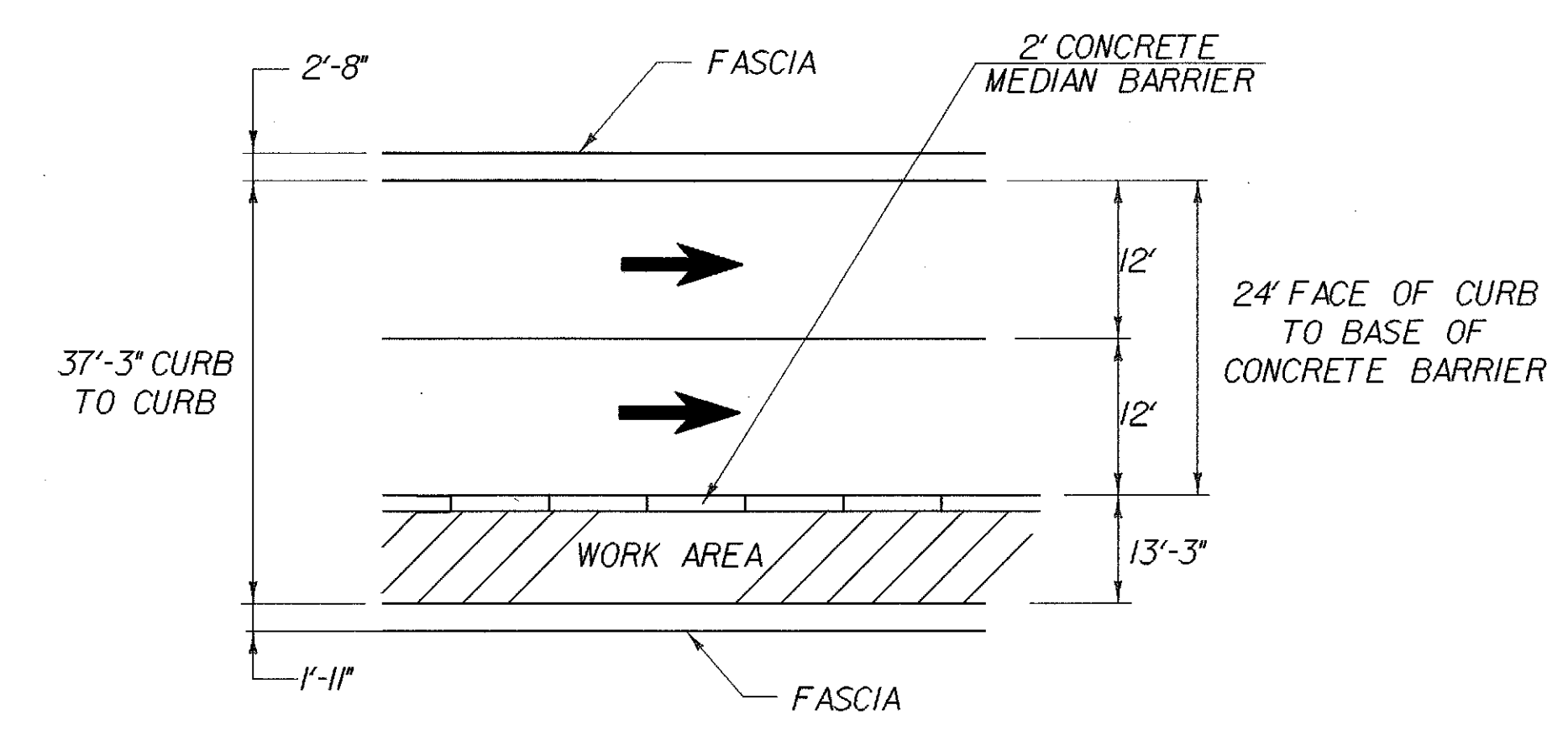


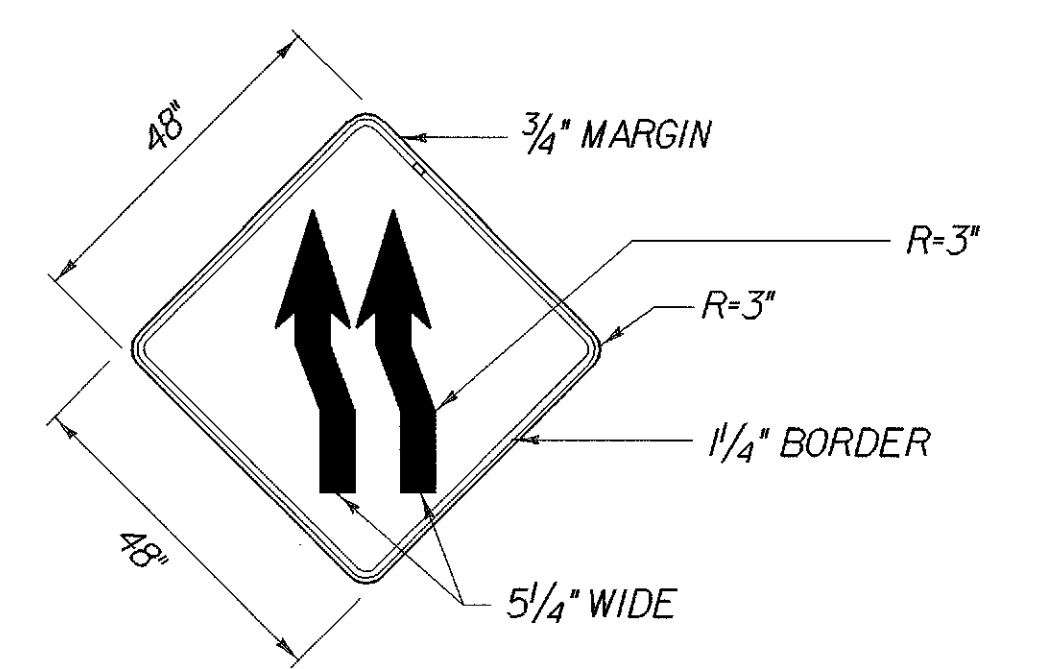
BRIDGE 6 (MM 1J) - PHASE I NORTHBOUND
N.T.S.

NOTES

1. BRIDGE 6 SOUTHBOUND (PHASE I) IS SIMILAR TO BRIDGE 6 NORTHBOUND (PHASE I)
2. USE STD. E-103 IN CONJUNCTION WITH THESE DETAILS



**BR 6 (MM 1J)
LANE WIDTH AVAILABLE**
N.T.S.



COLORS BLACK
ON ORANGE
(SEE STD. E-102 FOR
ADDITIONAL INFORMATION)

LEGEND	
	TEMPORARY DIRECTION OF FLOW
	ORIGINAL DIRECTION OF FLOW
	REFLECTORIZED PLASTIC DRUMS (STD. E-106)
	TYPE III BARRICADES (MOD.) SEE STD. E-107A
	PAVEMENT MARKING REMOVAL
	TEMPORARY TRAFFIC BARRIER
	EXISTING PAVEMENT MARKINGS
	EXISTING ROADWAY CENTERLINE
	TEMPORARY PAVEMENT MARKINGS

STATE OF VERMONT AGENCY OF TRANSPORTATION	
Town of HARTFORD-SHARON-ROYALTON	Bridge No. 6 Log Sta.
Highway No. 189	Surv. Sta.
TRAFFIC CONTROL FOR BRIDGE 6 NORTHBOUND & SOUTHBOUND (PHASE I)	
Designed By C. MEUNIER	Drawn By M. PELOQUIN
Checked By C. MEUNIER	Date 11/98
Bridge Design Supervisor G.S. ROGERS	Date 11/98
PROJECT HARTFORD-SHARON-ROYALTON	PROJECT NO. 1M IR 089-1(B)
I.G.C:\vtr\cadd\11ingcab\net\87a008\Structures\sa008trf.dgn sa008trf.dgn	
Bridge Sheet No. BR 105	Sheet 62 of 260