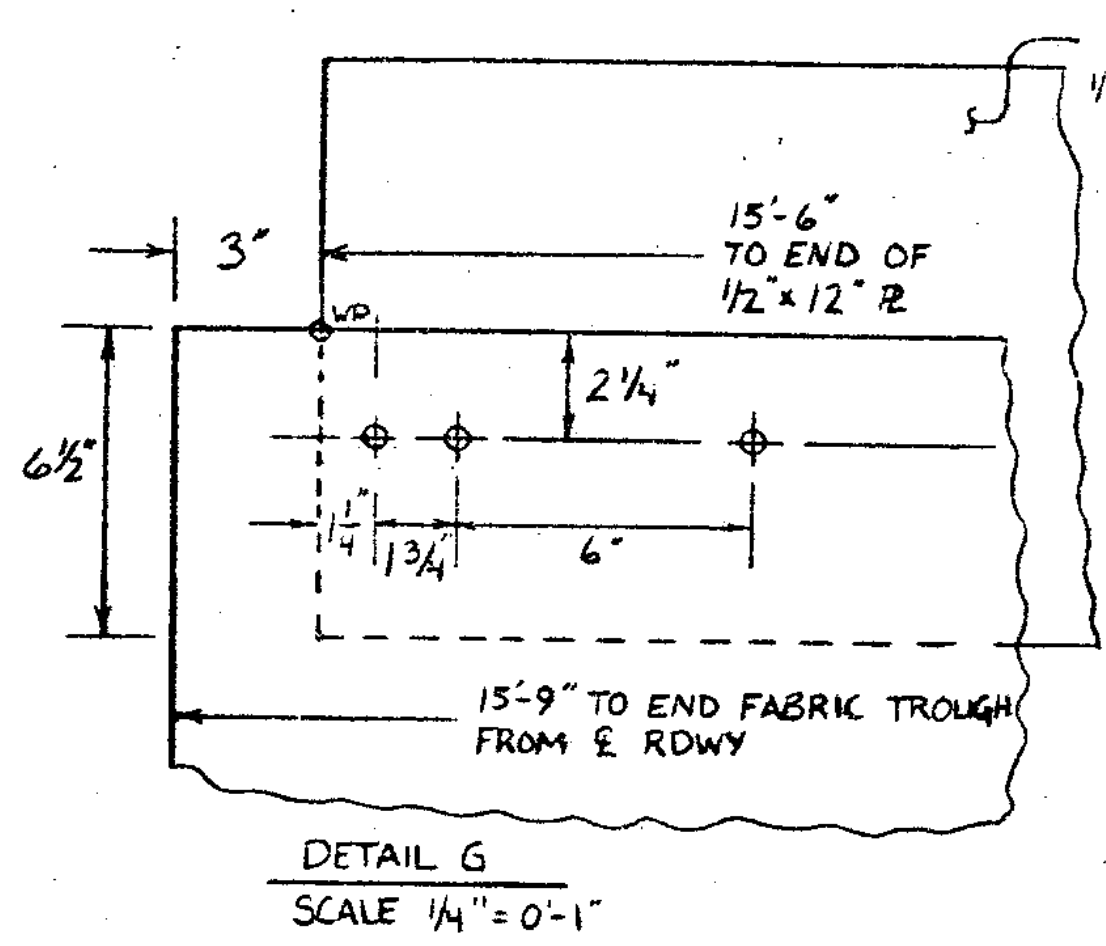


ELEVATION - TROUGH  
SCALE 1/4" = 0'-1"

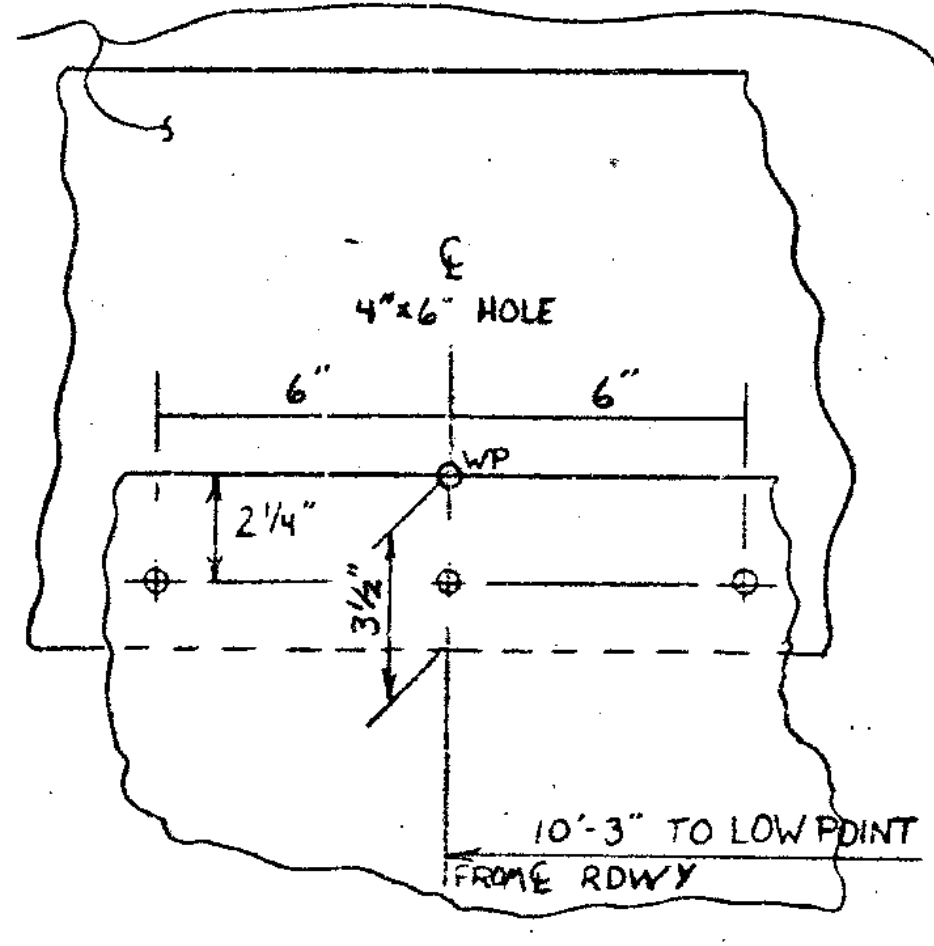
'A' VARIES WITH LOCATION.  
'B' VARIES WITH TEMPERATURE.

DIMENSION	LOCATION		
	RDWY	LOW PT TROUGH	END 1/2" x 12" PL
'A'	5"	3 1/2"	6 1/2"

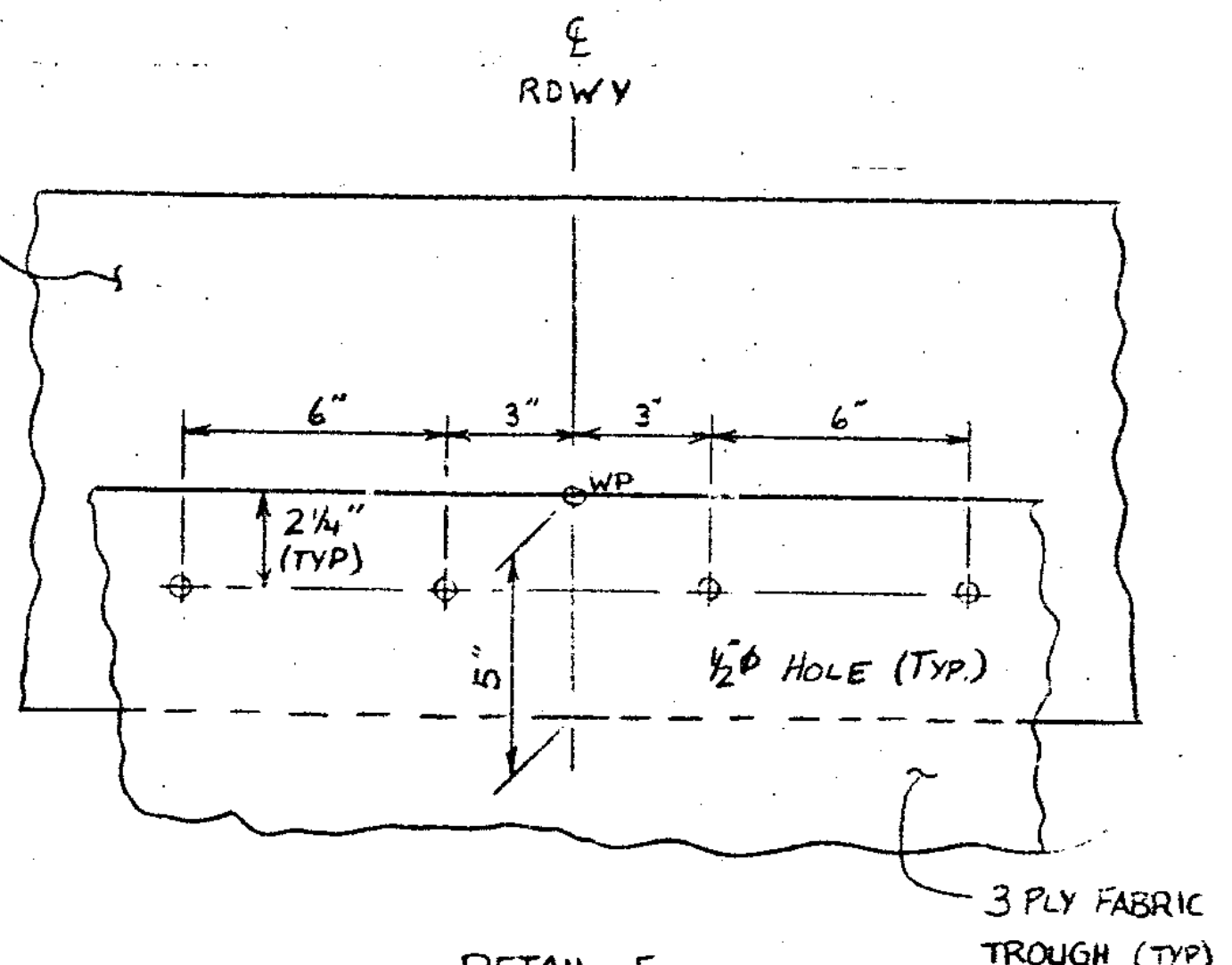
- NOTES:
1. WIDTH OF FABRIC IS 31".
  2. MAINTAIN 2 1/4" FROM TOP OF FABRIC (WP) TO E OF 1/2" BOLT.
  3. BOLTS TO BE SPACED AT 6" E - E.
  4. LOCATION OF OLD BRACKET VARIES, CUT GUSSET PL WHERE NECESSARY.
  5. FABRIC TROUGH IS SYMMETRIC ABOUT E ROADWAY.



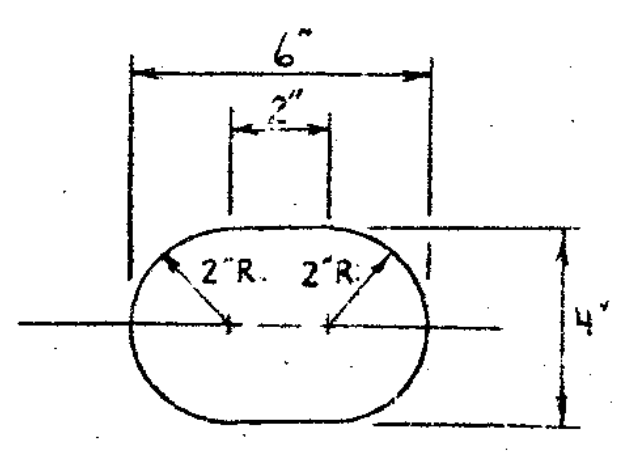
DETAIL G  
SCALE 1/4" = 0'-1"



DETAIL D  
SCALE 1/4" = 0'-1"

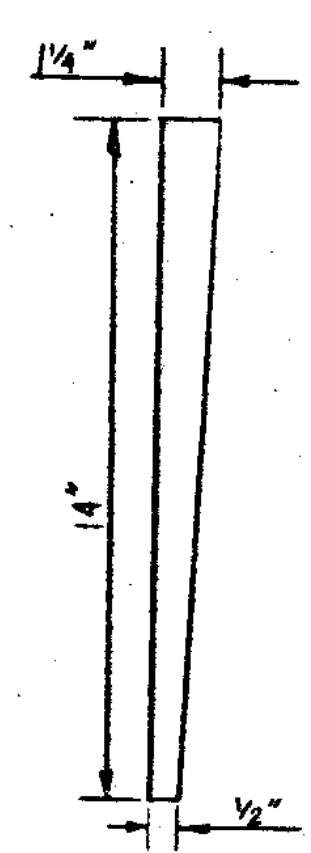


DETAIL E  
SCALE 1/4" = 0'-1"

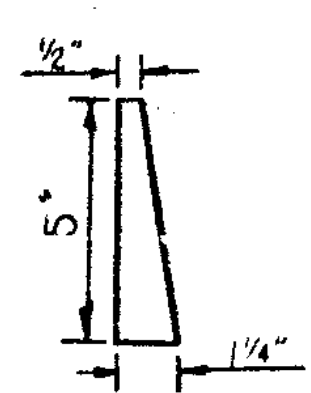


DETAIL F  
SCALE 1/4" = 0'-1"

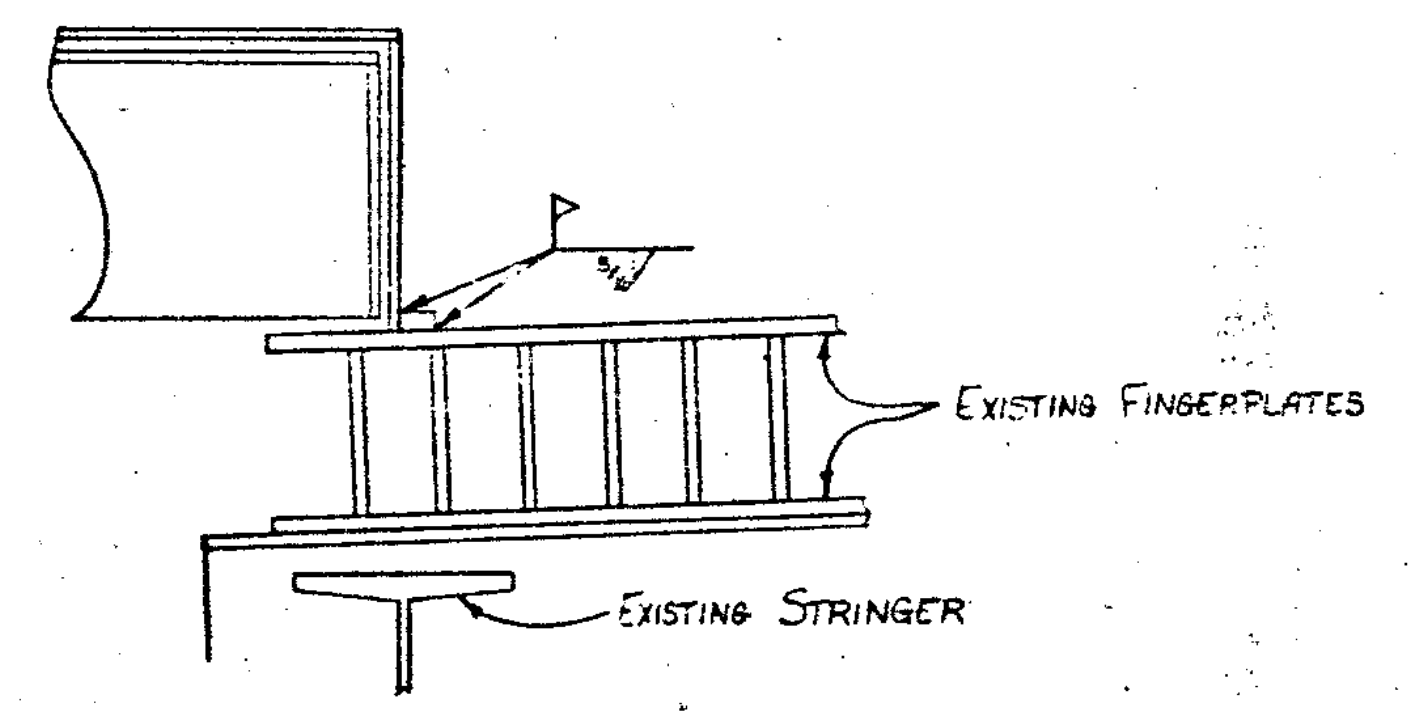
DETAIL I



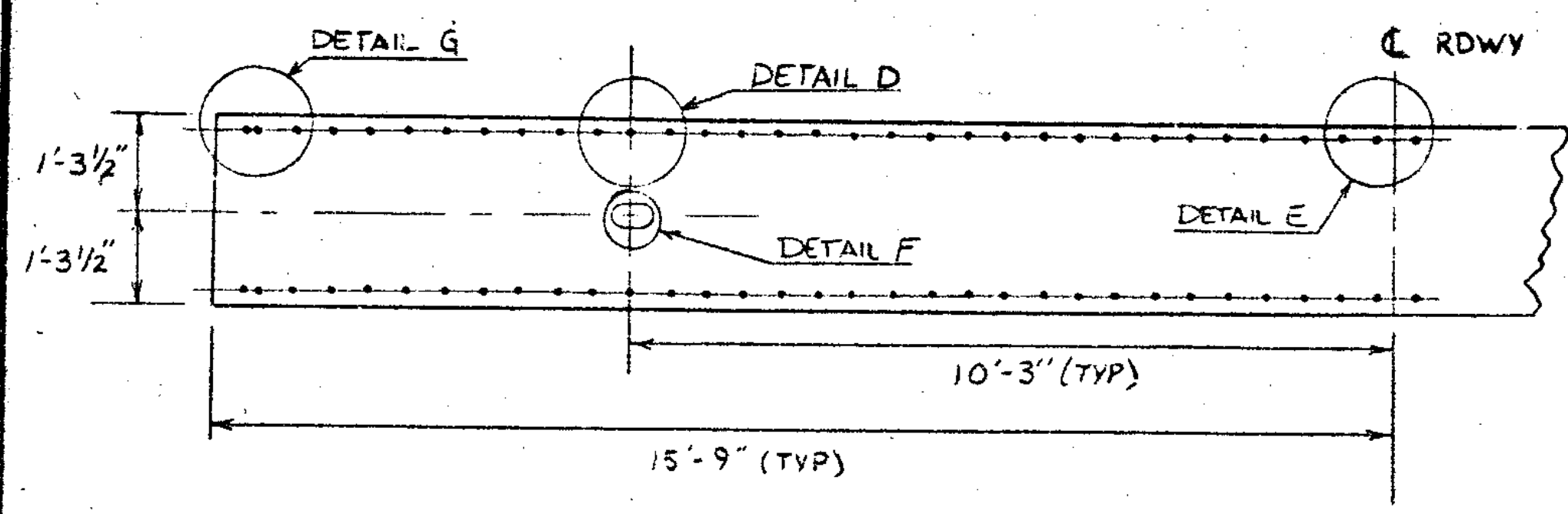
DETAIL H



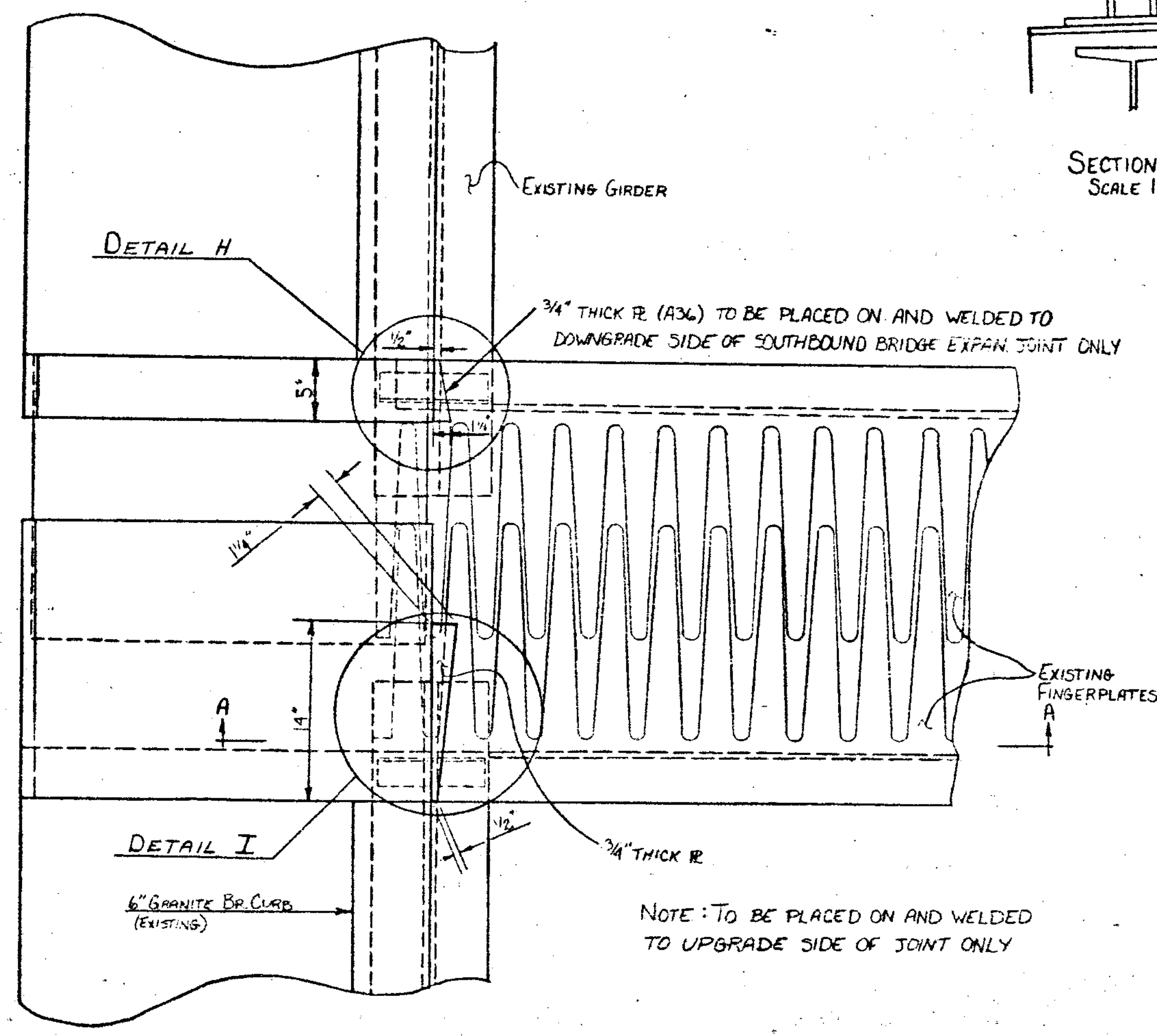
DETAILS 3/4" R OVER EXISTING FINGERPLATES  
SCALE 3" = 1'-0"



SECTION A-A  
SCALE 1 1/2" = 1'-0"



DETAILS - FABRIC TROUGH  
SCALE 1/20" = 0'-1"



PLAN - NEW 3/4" R OVER EXISTING FINGERPLATES  
SCALE 1 1/2" = 1'-0"

<b>STATE OF VERMONT</b>	
<b>AGENCY OF TRANSPORTATION</b>	
TOWN OF HARTFORD	Bridge No. 34 NES
HIGHWAY NO. I 91	Log Sta.
	Surv. Sta.
FABRIC DRAINAGE TROUGH DETAILS @ EXPANSION JOINT	
I 91 OVER THE WHITE R., US RTE. 4 & VT RTE. 14	
Designed by A. ELWOOD	Drawn by T.H. LACKEY
Checked by AWE	Bridge Design Supervisor
date 8-84	RS HAUPT date 7-84
PROJECT HARTFORD	PROJECT NO. IR-91-2(1)
Bridge Sheet No.	Sheet 22 of 30

BR-6-83